

Modular Acoustic Enclosures

350 – 938 kVA Range



www.FGWilson.com



The innovative and functional design of the 350 – 938 kVA enclosure range ensures performance in the harshest of environments. Extremely durable and robust, the enclosures are designed to resist corrosion and handling damage with the ability to withstand rough handling common on many construction sites.

Developed through continuing research and development by our specialist engineers, all FG Wilson enclosures are weather resistant and incorporate internally mounted exhaust silencers. Designed on modular principles, they have interchangeable components permitting on site repair.

The Level 2 enclosures reduce sound levels to comply with stage II levels of the European Community Directive 2000/14/EC which became effective 3 January 2006.

The FG Wilson Level 1 High Ambient enclosures, also available across the entire 350 – 938 kVA range are designed for operation in high ambient environments up to 50°C, with no loss of cooling system performance.

Excellent Access for Maintenance

- » Large side hinged doors on both sides of enclosure providing optimal access
- » Retaining bars securing door positions during servicing
- » Removable ducts providing maintenance access with enclosure in place
- » Radiator fill via removable, flush mounted rain cap fitted with compression seal
- » Lube oil and coolant drain valves

Robust/Highly Corrosion Resistant Construction

- » Galvanised steel construction further protected by polyester powder coat paint
- » Base frame extends beyond enclosure protecting against handling damage
- » Reinforced lap roof joints protecting against water ingress
- » Black finish stainless steel locks and hinges
- » Zinc plated / stainless steel fasteners
- » Corner posts manufactured from high grade composite material



Transportability

- » Optional tested and certified lifting arch (excluding 2806)
- » Lifting, drag and jacking points on base frame

Security and Safety

- » Control panel viewing window in a lockable access door
- » Emergency stop push button (red) mounted on enclosure exterior
- » Cooling fan and battery charging alternator fully guarded
- » Fuel fill and battery can only be reached via lockable access doors
- » Exhaust silencing system totally enclosed for operator safety

Sound Pressure Levels (dBA) - Level 1 High Ambient

Generator Set Model		50 Hz						60 Hz						
		15 m (50 ft)		7 m (23 ft)		1 m (3 ft)		15 m (50 ft)		7 m (23 ft)		1 m (3 ft)		
		75% Load	100% Load	75% Load	100% Load	75% Load	100% Load	75% Load	100% Load	75% Load	100% Load	75% Load	100% Load	
P400-3	Prime	-	67	68	73	74	81	83	-	-	-	-	-	-
	Standby	-	67	70	73	76	82	84	-	-	-	-	-	-
P438-3	Prime	-	-	-	-	-	-	-	69	70	75	76	83	84
	Standby	-	-	-	-	-	-	-	69	70	75	76	83	85
P450-3	Prime	-	67	70	73	76	82	84	-	-	-	-	-	-
	Standby	-	68	71	74	77	83	85	-	-	-	-	-	-
P500-3	Prime	106	67	70	73	76	82	84	-	-	-	-	-	-
	Standby	106	68	71	74	77	83	85	-	-	-	-	-	-
P501-3	Prime	-	-	-	-	-	-	-	69	70	75	76	83	85
	Standby	-	-	-	-	-	-	-	69	71	75	77	84	86
P550-3	Prime	106	71	72	77	78	86	86	-	-	-	-	-	-
	Standby	106	71	72	77	78	86	86	-	-	-	-	-	-
P563-3	Prime	-	-	-	-	-	-	-	73	74	79	80	87	88
	Standby	-	-	-	-	-	-	-	73	74	79	80	87	88
P605-3	Prime	-	70	71	76	77	84	85	-	-	-	-	-	-
	Standby	-	70	72	76	78	84	85	-	-	-	-	-	-
P625-3	Prime	-	-	-	-	-	-	-	73	74	79	80	87	88
	Standby	-	-	-	-	-	-	-	73	74	79	80	87	88
P660-3	Prime	-	70	72	76	78	84	85	-	-	-	-	-	-
	Standby	-	71	72	77	78	85	86	-	-	-	-	-	-
P688-3	Prime	-	-	-	-	-	-	-	72	72	78	78	87	88
	Standby	-	-	-	-	-	-	-	72	73	78	79	88	88
P715-3	Prime	-	71	72	77	78	85	86	-	-	-	-	-	-
	Standby	-	71	73	77	79	85	86	-	-	-	-	-	-
P750-3	Prime	-	-	-	-	-	-	-	72	73	78	79	88	88
	Standby	-	-	-	-	-	-	-	72	73	78	79	88	88

Sound Pressure Levels (dBA) - Level 2

Generator Set Model		L W A	50 Hz						60 Hz					
			15 m (50 ft)		7 m (23 ft)		1 m (3 ft)		15 m (50 ft)		7 m (23 ft)		1 m (3 ft)	
			75% Load	100% Load	75% Load	100% Load	75% Load	100% Load	75% Load	100% Load	75% Load	100% Load	75% Load	100% Load
P400-3	Prime	-	63	64	69	70	79	80	-	-	-	-	-	-
	Standby	-	64	64	70	70	80	80	-	-	-	-	-	-
P438-3	Prime	-	-	-	-	-	-	-	66	66	72	72	82	82
	Standby	-	-	-	-	-	-	-	66	66	72	72	82	83
P450-2	Prime	97	64	64	70	70	80	80	-	-	-	-	-	-
	Standby	97	64	65	70	71	80	80	-	-	-	-	-	-
P450-3	Prime	98	64	64	70	70	80	80	-	-	-	-	-	-
	Standby	98	64	65	70	71	80	81	-	-	-	-	-	-
P500-3	Prime	98	63	64	69	70	79	79	-	-	-	-	-	-
	Standby	98	63	64	69	70	79	80	-	-	-	-	-	-
P501-3	Prime	-	-	-	-	-	-	-	66	66	72	72	82	83
	Standby	-	-	-	-	-	-	-	66	67	72	73	82	83
P550-2	Prime	-	67	68	73	74	82	83	-	-	-	-	-	-
	Standby	-	67	69	73	75	83	84	-	-	-	-	-	-
P550-3	Prime	-	63	64	69	70	79	80	-	-	-	-	-	-
	Standby	-	64	65	70	71	79	80	-	-	-	-	-	-
P563-3	Prime	-	-	-	-	-	-	-	65	66	71	72	81	82
	Standby	-	-	-	-	-	-	-	65	67	71	73	82	83
P605-3	Prime	101	66	66	72	72	82	82	-	-	-	-	-	-
	Standby	101	66	66	72	72	82	83	-	-	-	-	-	-
P625-3	Prime	-	-	-	-	-	-	-	65	67	71	73	82	83
	Standby	-	-	-	-	-	-	-	66	67	72	73	82	83
P660-3	Prime	101	66	66	72	72	82	83	-	-	-	-	-	-
	Standby	101	66	67	72	73	82	83	-	-	-	-	-	-
P688-3	Prime	-	-	-	-	-	-	-	67	68	73	74	84	84
	Standby	-	-	-	-	-	-	-	67	68	73	74	84	84
P715-3	Prime	101	66	67	72	73	82	83	-	-	-	-	-	-
	Standby	101	66	67	72	73	82	83	-	-	-	-	-	-
P750-3	Prime	-	-	-	-	-	-	-	67	68	73	74	84	84
	Standby	-	-	-	-	-	-	-	67	68	73	74	84	84
P780-1	Prime	106	68	69	74	75	85	85	-	-	-	-	-	-
	Standby	106	68	69	74	75	85	85	-	-	-	-	-	-
P813-1	Prime	-	-	-	-	-	-	-	68	69	74	75	85	86
	Standby	-	-	-	-	-	-	-	69	69	75	75	85	86
P850-1	Prime	106	68	69	74	75	85	85	-	-	-	-	-	-
	Standby	106	68	69	74	75	85	85	-	-	-	-	-	-
P895-1	Prime	-	-	-	-	-	-	-	69	69	75	75	85	86
	Standby	-	-	-	-	-	-	-	69	70	75	76	86	86
P938-1	Prime	-	-	-	-	-	-	-	69	70	75	76	86	86
	Standby	-	-	-	-	-	-	-	69	70	75	76	86	86

Level 1 High Ambient High Ambient Enclosure

Generator Set Model	Engine Model	Ambient Capability*			
		50 Hz		60 Hz	
		°C	°F	°C	°F
P400-3	2206A-E13TAG2	54	129	–	–
P438-3	2206A-E13TAG5	–	–	57	135
P450-3	2206A-E13TAG3	49	120	–	–
P500-3	2506A-E15TAG1	55	131	–	–
P501-3	2206A-E13TAG6	–	–	51	124
P550-3	2506A-E15TAG2	52	126	–	–
P563-3	2506A-E15TAG3	–	–	55	136
P605-3	2806A-E18TAG1	55	133	–	–
P625-3	2506A-E15TAG4	–	–	54	129
P660-3	2806A-E18TAG1A	54	129	–	–
P688-3	2806A-E18TAG1A	–	–	55	133
P715-3	2806A-E18TAG2	52	126	–	–
P750-3	2806A-E18TAG3	–	–	53	127

*Designed for operation in high ambient environments up to 50°C with no loss of cooling system performance. Power output derate will apply.

Level 2 Enclosure

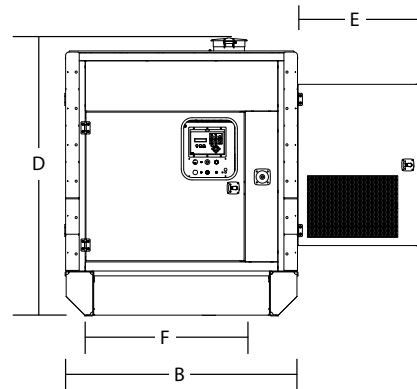
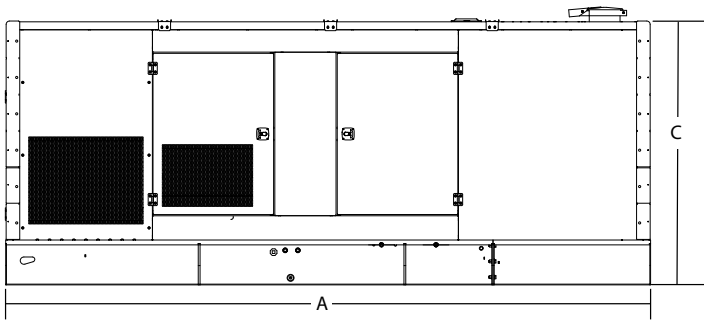
Generator Set Model	Engine Model	Ambient Capability*			
		50 Hz		60 Hz	
		°C	°F	°C	°F
P400-3	2206A-E13TAG2	54	129	–	–
P438-3	2206A-E13TAG5	–	–	57	135
P450-2	2206D-E13TAG3A	54	129	–	–
P450-3	2206A-E13TAG3	49	120	–	–
P500-3	2506A-E15TAG1	46	115	–	–
P501-3	2206A-E13TAG6	–	–	51	124
P550-2	2506D-E15TAG2	52	126	–	–
P550-3	2506A-E15TAG2	41	106	–	–
P563-3	2506A-E15TAG3	–	–	48	118
P605-3	2806A-E18TAG1	50	122	–	–
P625-3	2506A-E15TAG4	–	–	44	111
P660-3	2806A-E18TAG1A	46	115	–	–
P688-3	2806A-E18TAG1A	–	–	48	118
P715-3	2806A-E18TAG2	43	109	–	–
P750-3	2806A-E18TAG3	–	–	42	108
P780-1	2806A-E18TTAG4	53	127	–	–
P813-1	2806A-E18TTAG5	–	–	54	129
P850-1	2806A-E18TTAG6A	51	124	–	–
P895-1	2806A-E18TTAG6	–	–	50	122
P938-1	2806A-E18TTAG7	–	–	49	120

Dimensions and Weights – Level 1 High Ambient

Generator Set Model	A: mm	B: mm	C: mm	D: mm	E: mm *	F: mm	Weight: kg	Fuel Tank Fillable Capacity l
P400-3	4930	1658	2147	2317	995	1236	4575	887
P438-3	4930	1658	2147	2317	995	1236	4575	887
P450-3	4930	1658	2147	2317	995	1236	4667	887
P500-3	4930	1658	2147	2317	995	1236	5033	887
P501-3	4930	1658	2147	2317	995	1236	4625	887
P550-3	4930	1658	2147	2317	995	1236	5071	887
P563-3	4930	1658	2147	2317	995	1236	5033	887
P605-3	5320	1920	2177	2289	995	1305	5554	1157
P625-3	4930	1658	2147	2317	995	1236	5071	887
P660-3	5320	1920	2177	2289	995	1305	5694	1157
P688-3	5320	1920	2177	2289	995	1305	5554	1157
P715-3	5320	1920	2177	2289	995	1305	5874	1157
P750-3	5320	1920	2177	2289	995	1305	5544	1157

Weight with lube oil and coolant, no fuel.

*Clearance required on both sides.

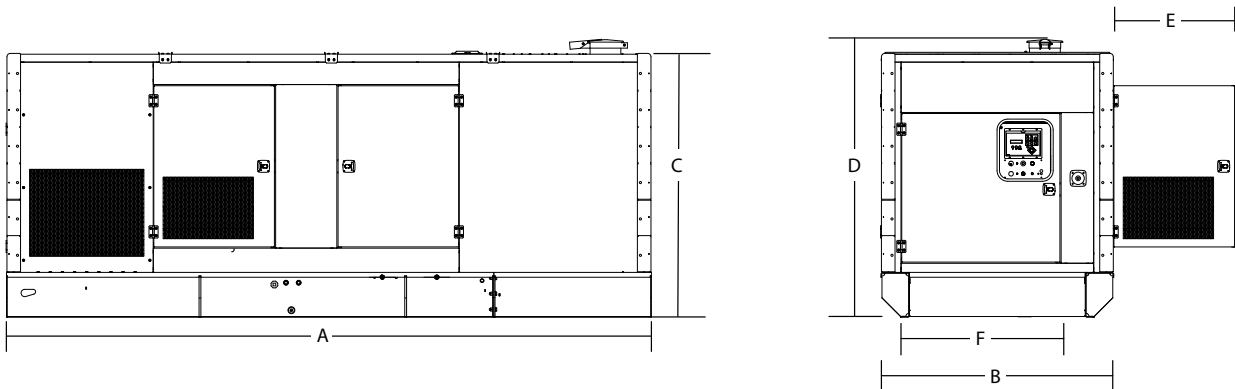


Dimensions and Weights – Level 2

Generator Set Model	A: mm	B: mm	C: mm	D: mm	E: mm *	F: mm	Weight: kg	Fuel Tank Fillable Capacity l
P400-3	4930	1658	2147	2317	995	1236	4575	887
P438-3	4930	1658	2147	2317	995	1236	4575	887
P450-2	4930	1658	2147	2317	995	1236	4750	887
P450-3	4930	1658	2147	2317	995	1236	4667	887
P500-3	4930	1658	2147	2317	995	1236	5033	887
P501-3	4930	1658	2147	2317	995	1236	4625	887
P550-2	4880	1908	2187	2317	995	1236	5141	1031
P550-3	4930	1658	2147	2317	995	1236	5071	887
P563-3	4930	1658	2147	2317	995	1236	5033	887
P605-3	5320	1920	2177	2289	995	1305	5554	1157
P625-3	4930	1658	2147	2317	995	1236	5071	887
P660-3	5320	1920	2177	2289	995	1305	5694	1157
P688-3	5320	1920	2177	2289	995	1305	5554	1157
P715-3	5320	1920	2177	2289	995	1305	5874	1157
P750-3	5320	1920	2177	2289	995	1305	5554	1157
P780-1	5572	2170	2398	2398	1003	1240	6629	1529
P813-1	5572	2170	2398	2398	1003	1240	6629	1529
P850-1	5572	2170	2398	2398	1003	1240	6629	1529
P895-1	5572	2170	2398	2398	1003	1240	6629	1529
P938-1	5572	2170	2398	2398	1003	1240	6629	1529

Weight with lube oil and coolant, no fuel.

*Clearance required on both sides.



FG Wilson manufactures product in the following locations:

Northern Ireland • Brazil • China • India • USA

With headquarters in Northern Ireland, FG Wilson operates through a Global Dealer Network.

To contact your local Sales Office please visit the FG Wilson website at www.FGWilson.com.

FG Wilson is a trading name of Caterpillar (NI) Limited.

In line with our policy of continuous product development, we reserve the right to change specification without notice.

350-938kVAEnclosure/0119/GB