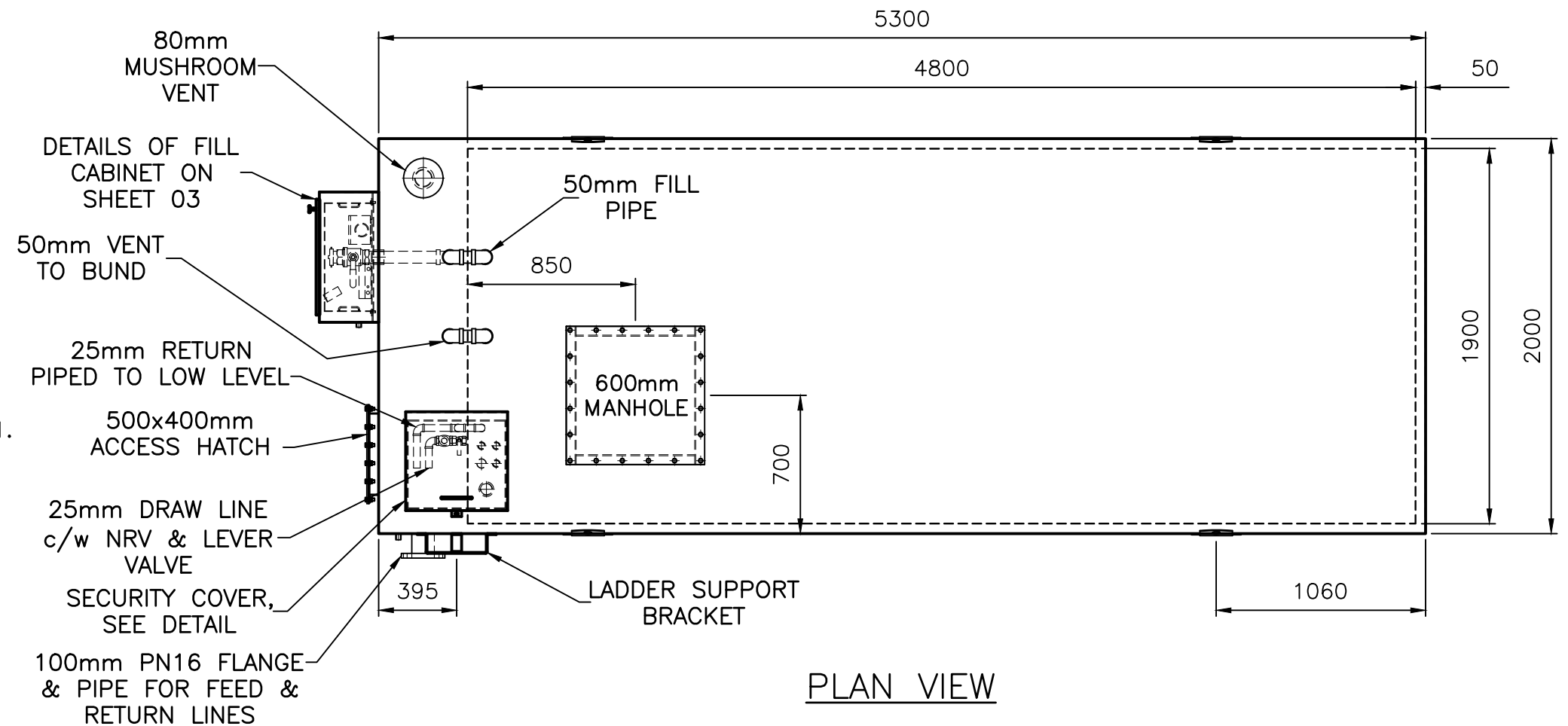
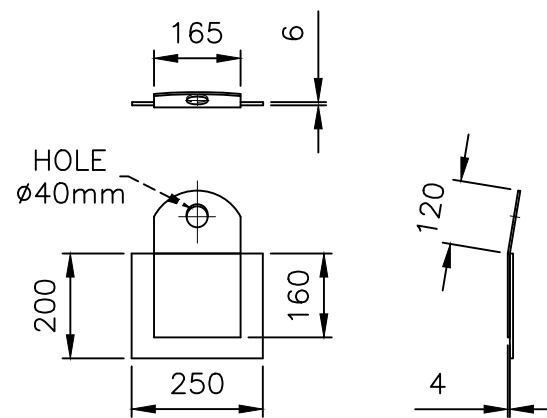


NOTES

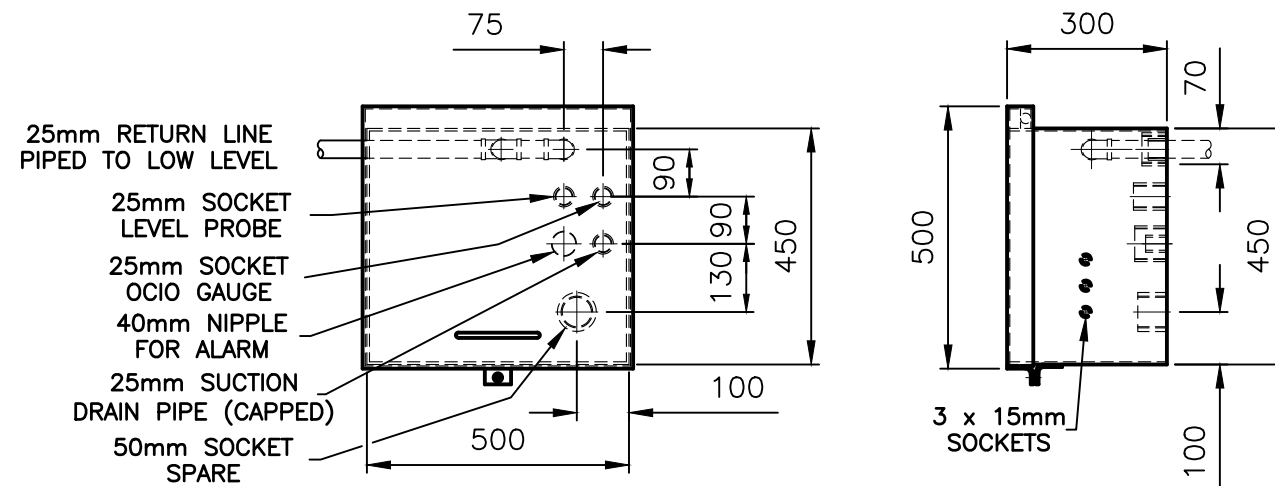
1. TANK TO BE MANUFACTURED i.a.w. BS 799 Pt. 5 Type J.
2. TANK TO BE MANUFACTURED FROM 6mm THICK STEEL TO S275JR BS EN 10025:1993. TANK FINISH :-
 (i) ELECTRIC WIRE BRUSH (WHERE NECESSARY) & DEGREASE.
 (ii) 1 COAT PRIMER.
 (iii) 2 COATS OF AIR DRYING ENAMEL.
 COLOUR - BS 4800 COLOUR 06-C-39 (SADDLE BROWN).
 MINIMUM PAINT THICKNESS (DFT) - 70um.
3. TANK CAPACITY - 16,200 Ltr USABLE, 18,000 Ltr ACTUAL.
4. WEIGHT - 4.2 Tonnes (DRY), 20.0 Tonnes (WET).
5. WELDING TO BE CARRIED OUT i.a.w. BS EN 1011-1:1998 WITH REFERENCE TO BS EN 1011-2:2001.
6. WELDING SYMBOLS USED ARE i.a.w. BS EN ISO 22553.
7. INSPECTION & TESTING TO BE CARRIED OUT i.a.w. BS EN 1011-1:1998.
8. TESTING
 (i) TANK - 0.3 Bar.
 (ii) BUND - 0.1 Bar MAX. TEST PRESSURE.
 ISSUE TEST CERTIFICATE ON SUCCESSFUL COMPLETION.



PLAN VIEW



LIFT LUG DETAIL
(SCALE - 1 : 15)



SECURITY COVER DETAIL
(SCALE - 1 : 15)



T: 01953 454540 F: 01953 456968
 E: enquiries@stuartgroup.info
 W: www.stuartgroup.ltd.uk

Stuart House, Hargham Road, Shropham, Norfolk, NR17 1DT



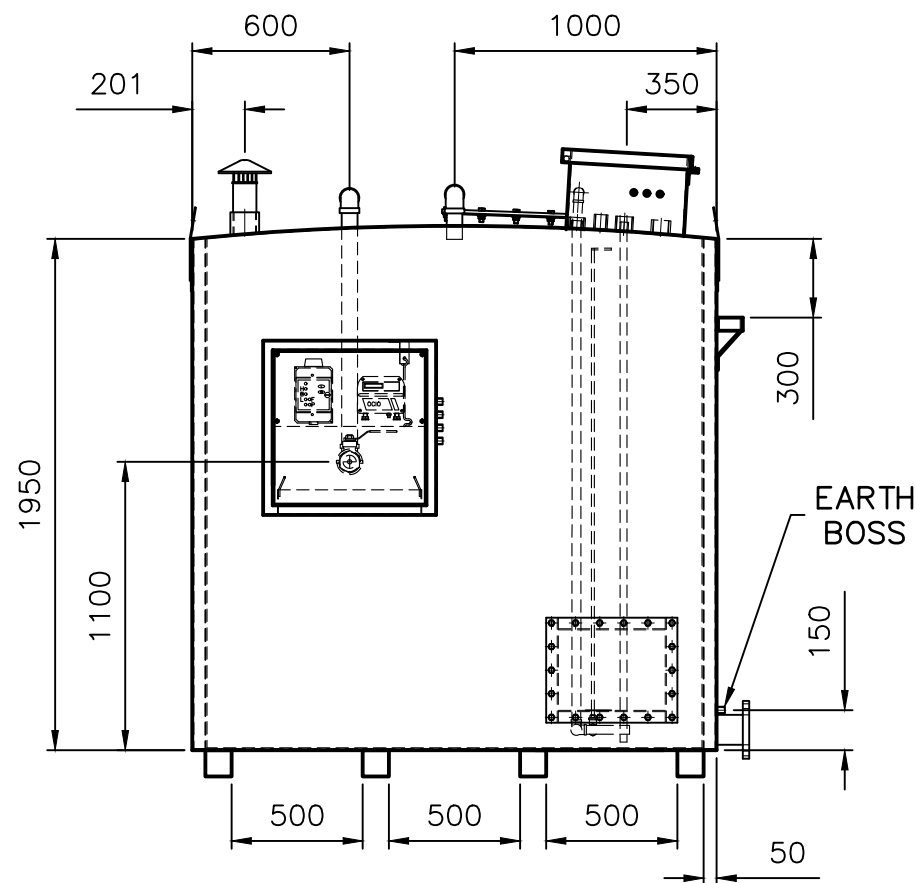
FG Wilson Generators | Spares & Parts | Used Generators
 Power Distribution | Transfer Panels | Lighting Towers

East Anglia Head Office
 Stuart House, Hargham Road,
 Shropham, NR17 1DT

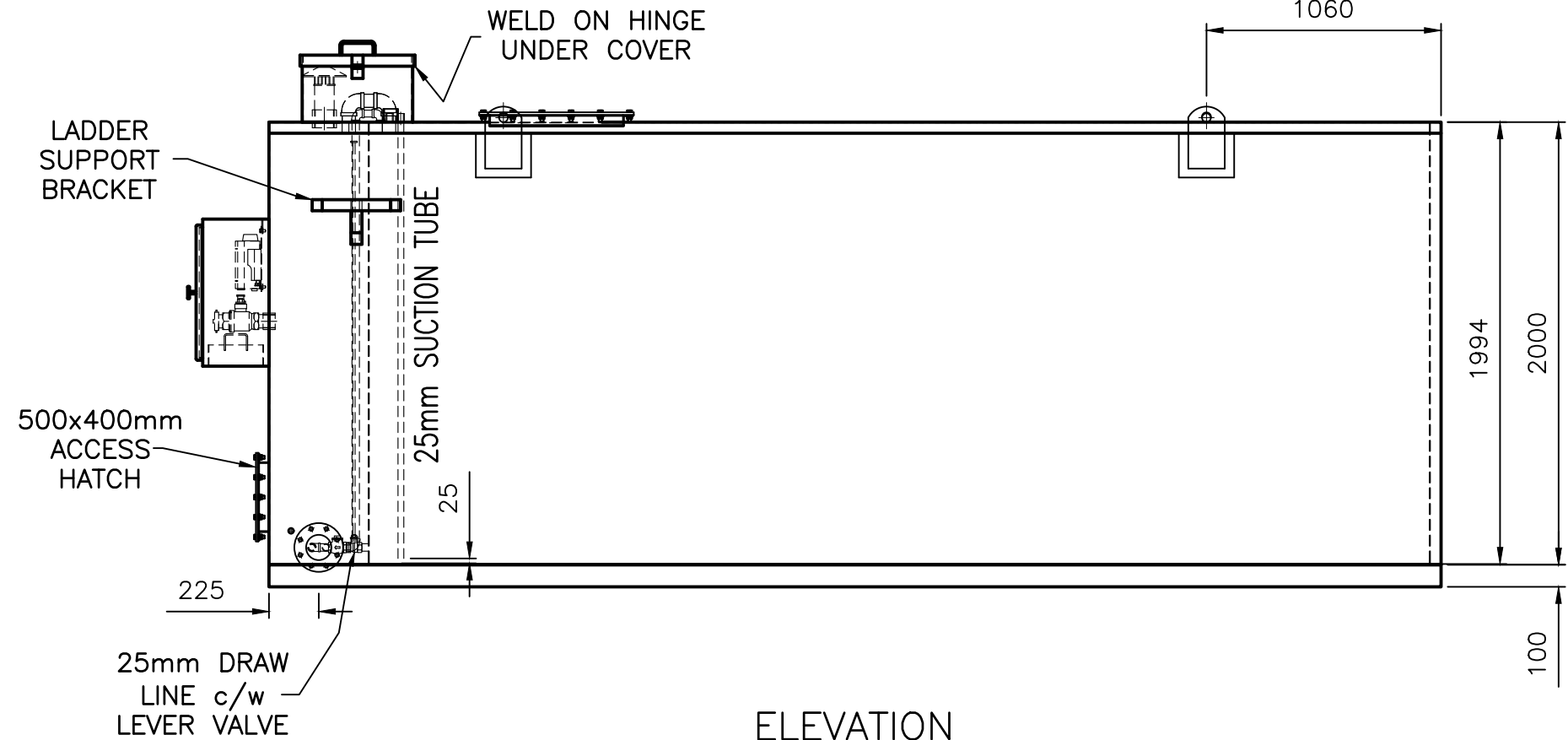
West Midlands Depot
 Diglis Trading Estate, Navigation Road,
 Worcester, WR5 3DE

North East Depot
 Middleplatt Road
 Immingham, DN40 1AH

North West Depot
 Park Industrial Estate, Gaskell Street
 St. Helens, WA9 1PX



END VIEW



ELEVATION

NOTES

1. TANK TO BE MANUFACTURED i.a.w. BS 799 Pt. 5 Type J.
 2. TANK TO BE MANUFACTURED FROM 6mm THICK STEEL TO S275JR BS EN 10025:1993. TANK FINISH :-
 - (i) ELECTRIC WIRE BRUSH (WHERE NECESSARY) & DEGREASE.
 - (ii) 1 COAT PRIMER.
 - (iii) 2 COATS OF AIR DRYING ENAMEL. COLOUR - BS 4800 COLOUR 06-C-39 (SADDLE BROWN).
- MINIMUM PAINT THICKNESS (DFT) - 70um.

NOTES (cont'd)

3. TANK CAPACITY - 16,200 Ltr USABLE, 18,000 Ltr ACTUAL.
 4. WEIGHT - 4.2 Tonnes (DRY), 20.0 Tonnes (WET)
 5. WELDING TO BE CARRIED OUT i.a.w. BS EN 1011-1:1998 WITH REFERENCE TO BS EN 1011-2:2001.
 6. WELDING SYMBOLS USED ARE i.a.w. BS EN ISO 22553.
 7. INSPECTION & TESTING TO BE CARRIED OUT i.a.w. BS EN 1011-1:1998.
 8. TESTING
 - (i) TANK - 0.3 Bar.
 - (ii) BUND - 0.1 Bar MAX. TEST PRESSURE.
- ISSUE TEST CERTIFICATE ON SUCCESSFUL COMPLETION.



T: 01953 454540 F: 01953 456968
 E: enquiries@stuartgroup.info
 W: www.stuartgroup.ltd.uk

Stuart House, Hargham Road, Shropham, Norfolk, NR17 1DT



East Anglia Head Office

Stuart House, Hargham Road, Shropham, NR17 1DT

West Midlands Depot

Diglis Trading Estate, Navigation Road, Worcester, WR5 3DE

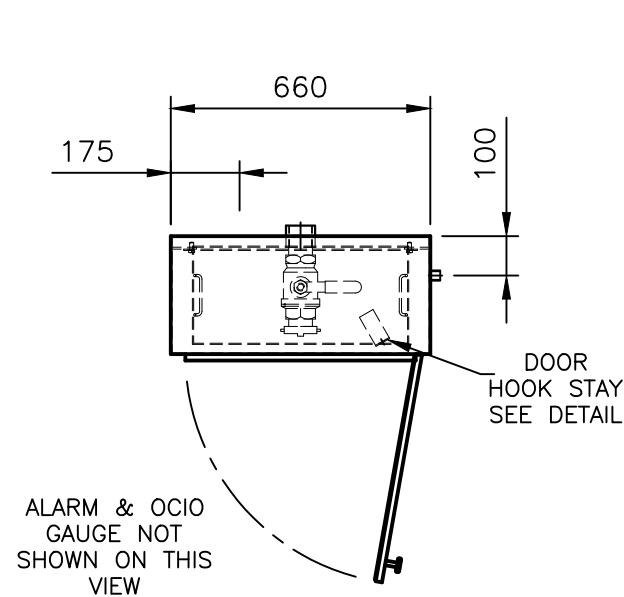
North East Depot

Middleplatt Road, Immingham, DN40 1AH

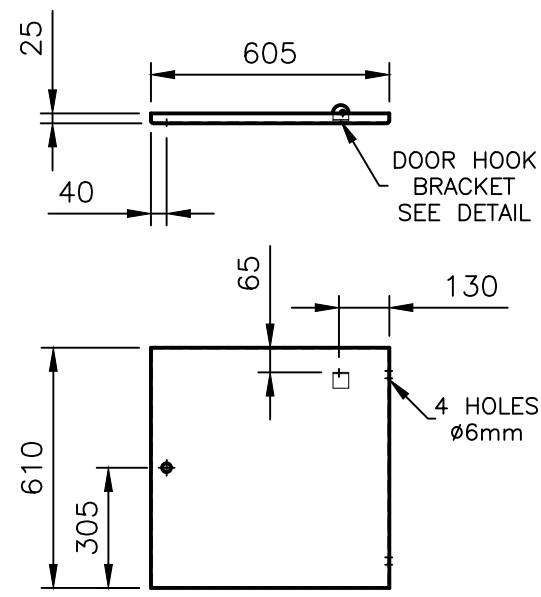
North West Depot

Park Industrial Estate, Gaskell Street, St. Helens, WA9 1PX

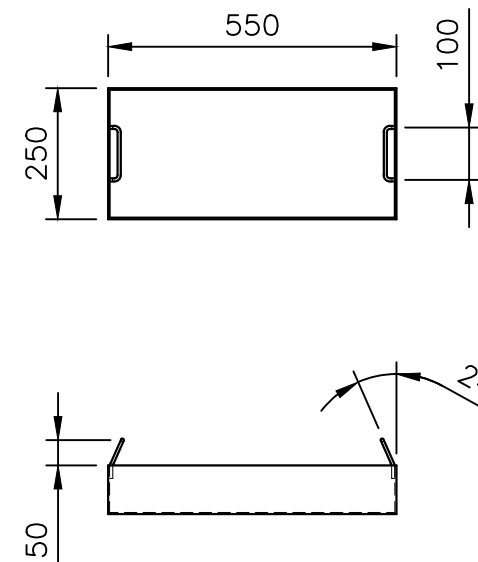
FG Wilson Generators | Spares & Parts | Used Generators
 Power Distribution | Transfer Panels | Lighting Towers



PLAN VIEW
(DOOR SHOWN IN OPEN POSITION)

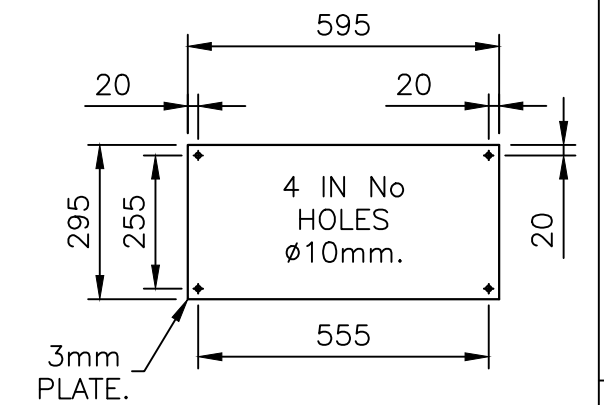


CABINET DOOR DETAIL



DRIP TRAY DETAIL
(SCALE - 1 : 15)

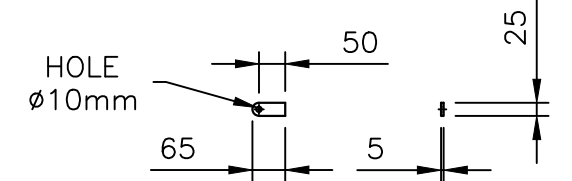
1. DRIP TRAY TO BE MANUFACTURED FROM 3mm M.S. PLATE.
2. HANDLES TO BE MANUFACTURED FROM Ø6mm STEEL ROD.



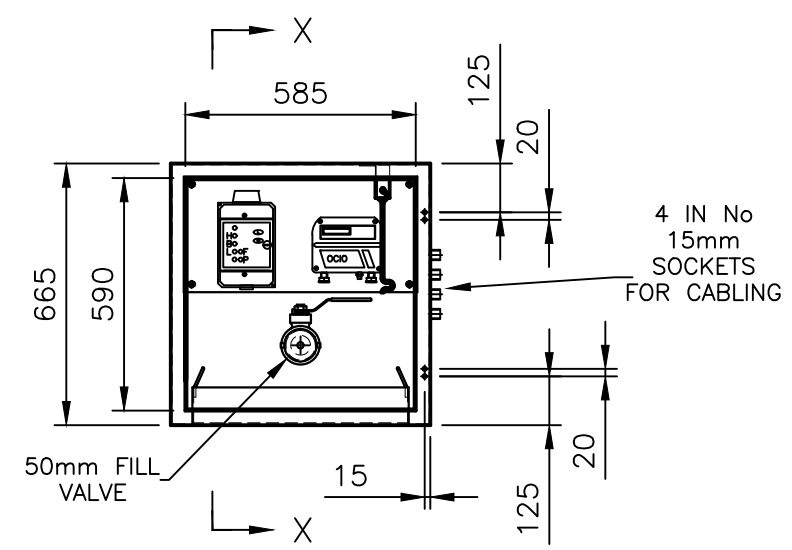
BACKPLATE DETAIL
(SCALE - 1 : 15)

NOTES

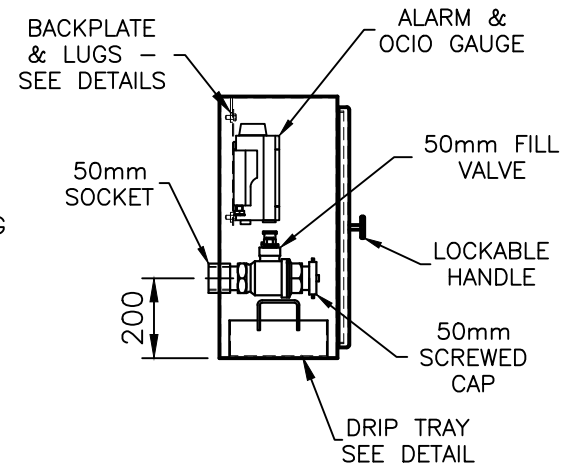
1. MAIN BODY OF CABINET MANUFACTURED 3mm THICK STEEL SHEET.
2. CABINET PAINTED - BS 4800 COLOUR 06-C-39 (SADDLE BROWN).
3. ANY ELECTRICAL COMPONENTS TO BE MOUNTED ON BACKPLATE USING M8 SCREWS.



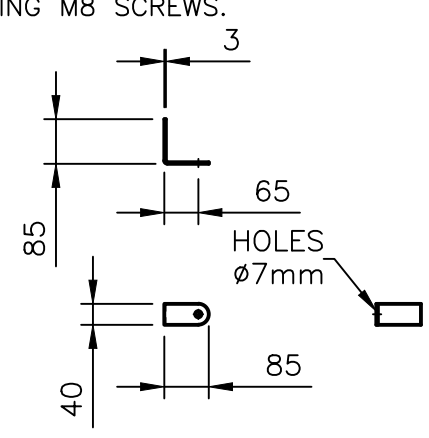
BACKPLATE LUG DETAIL
(SCALE - 1 : 15)



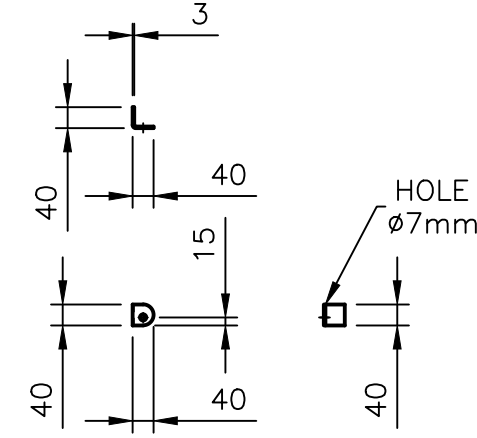
GENERAL LAYOUT
(DOOR REMOVED)



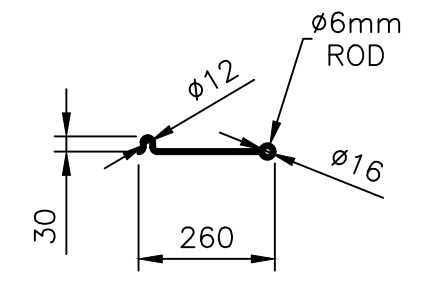
SECTION X - X



DOOR HOOK STAY DETAIL
(SCALE - 1 : 15)



DOOR HOOK BRACKET DETAIL
(SCALE - 1 : 15)



DOOR HOOK DETAIL
(SCALE - 1 : 15)



T: 01953 454540 F: 01953 456968
E: enquiries@stuartgroup.info
W: www.stuartgroup.ltd.uk

Stuart House, Hargham Road, Shropham, Norfolk, NR17 1DT



- FG Wilson Generators | Spares & Parts | Used Generators
Power Distribution | Transfer Panels | Lighting Towers
- | | | | |
|---|---|--|--|
| East Anglia Head Office
Stuart House, Hargham Road,
Shropham, NR17 1DT | West Midlands Depot
Diglis Trading Estate, Navigation Road,
Worcester, WR5 3DE | North East Depot
Middleplatt Road
Immingham, DN40 1AH | North West Depot
Park Industrial Estate, Gaskell Street
St. Helens, WA9 1PX |
|---|---|--|--|