

Used P88E1 Acoustic Canopy - £600

The FG Wilson weatherproof sound attenuated enclosures are a result of continuing research and development by our specialist acoustic engineers. **These enclosures reduce sound levels to comply with the stage 2 levels of the European Community Directive 2000/14/EC which became effective 3 January 2006.**

The enclosures incorporate internally mounted exhaust silencers and are of extremely rugged construction in order to withstand the rough handling common on many construction sites. They are designed on modular principles with many interchangeable components permitting on-site repair.

Robust/Highly Corrosion Resistant Construction

- ▶ Stainless steel locks and hinges
- ▶ Zinc plated or stainless steel fasteners
- ▶ Enclosure made from galvanized steel*

Excellent Access for Maintenance

- ▶ Full length extra wide doors on each side
- ▶ Doors top hung and supported by gas struts*
- ▶ Radiator fill access plate
- ▶ Lube oil and cooling water drains piped to exterior of the enclosure

Security and Safety

- ▶ Control panel viewing window in a lockable access door
- ▶ Emergency stop push button (red) mounted on enclosure exterior
- ▶ Cooling fan and battery charging alternator fully guarded
- ▶ Fuel fill and battery can only be reached via lockable access doors
- ▶ Exhaust silencing system totally enclosed for operator safety

Transportability

- ▶ Tested and certified single point lifting facility
- ▶ Lifting points on baseframe

*Except on P180P2/P200E2



P27P1 - P200E2 Range



Modular Acoustic Enclosure



Sound Attenuated (SA) Sound Pressure Levels (dBA)

Generating Set Model	50 Hz						60 Hz					
	15m (50ft)		7m (23ft)		1m (3ft)		15m (50ft)		7m (23ft)		1m (3ft)	
	75% Load	100% Load	75% Load	100% Load	75% Load	100% Load	75% Load	100% Load	75% Load	100% Load	75% Load	100% Load
3 Phase Models												
P27P1	61.4	62.2	67.4	68.2	78.7	79.6	63.1	63.9	69.1	69.9	80.3	81.3
P27P2	60.8	63.1	66.8	69.1	77.9	80.6	-	-	-	-	-	-
P30E1	61.7	62.7	67.7	68.7	79.0	80.0	63.4	64.4	69.4	70.4	80.7	81.9
P30E2	61.5	64.3	67.5	70.3	78.7	82.1	-	-	-	-	-	-
P30P1	61.7	62.7	67.7	68.7	79.0	80.0	63.4	64.3	69.4	70.3	80.6	81.9
P30P2	61.5	64.3	67.5	70.3	78.7	82.1	-	-	-	-	-	-
P33E1	61.9	63.1	67.9	69.1	79.3	80.5	63.7	64.8	69.7	70.8	81.0	82.5
P33E2	62.2	65.7	68.2	71.7	79.6	83.7	-	-	-	-	-	-
P40P2	60.1	60.8	66.1	66.8	77.0	77.5	-	-	-	-	-	-
P40P3	63.7	63.6	69.7	69.6	79.8	79.7	66.1	66.3	72.1	72.3	81.9	82.1
P44E2	60.3	61.2	66.3	67.2	77.2	77.7	-	-	-	-	-	-
P44E3	63.7	63.4	69.7	69.4	79.8	79.6	66.2	66.4	72.2	72.4	82.0	82.1
P45P2	60.3	61.4	66.3	67.4	77.2	77.7	-	-	-	-	-	-
P45P3	63.7	63.4	69.7	69.4	79.8	79.6	66.2	66.4	72.2	72.4	82.0	82.1
P40P5	61.6	62.4	67.6	68.4	78.2	79.0	65.2	66.5	71.2	72.5	81.2	82.3
P44E5	61.9	62.8	67.9	68.8	78.4	79.4	65.6	67.2	71.6	73.2	81.5	82.9
P50E2	60.6	62.0	66.6	68.0	77.4	78.0	-	-	-	-	-	-
P50E3	63.6	63.2	69.6	69.2	79.7	79.4	66.3	66.5	72.3	72.5	82.0	82.2
P50P1	63.9	64.6	69.9	70.6	80.9	81.5	66.9	67.3	72.9	73.3	83.5	83.9
P50P2	60.5	60.6	66.5	66.6	77.5	77.6	-	-	-	-	-	-
P55E1	64.1	64.9	70.1	70.9	81.0	81.8	67.0	67.4	73.0	73.4	83.6	84.1
P55E2	60.5	60.8	66.5	66.8	77.5	77.7	-	-	-	-	-	-
P60P2	60.5	60.9	66.5	66.9	77.5	77.7	-	-	-	-	-	-
P60P3	64.3	65.2	70.3	71.2	81.2	82.1	67.1	67.6	73.1	73.6	83.8	84.3
P65E2	60.6	61.1	66.6	67.1	77.6	77.8	-	-	-	-	-	-
P65E3	64.5	65.6	70.5	71.6	81.4	82.4	67.2	67.8	73.2	73.8	83.9	84.5
P60P5	63.0	63.4	69.0	69.4	79.4	80.0	66.0	66.8	72.0	72.8	82.1	83.1
P65E5	63.1	63.6	69.1	69.6	79.5	80.3	66.2	67.1	72.2	73.1	82.3	83.5
P80P1	63.4	64.5	69.4	70.5	80.0	81.4	66.7	68.2	72.7	74.2	83.0	84.8
P80P2	62.6	63.1	68.6	69.1	79.8	80.1	-	-	-	-	-	-
P88E1	63.6	65.1	69.6	71.1	80.4	82.1	67.1	69.0	73.1	75.0	83.5	85.8
P88E2	62.7	63.3	68.7	69.3	79.9	80.3	-	-	-	-	-	-
P100P2	63.0	63.7	69.0	69.7	80.0	80.7	64.8	66.8	70.8	72.8	81.9	83.9
P110E2	63.2	64.1	69.2	70.1	80.2	81.0	65.3	68.1	71.3	74.1	82.4	85.0

Levels in accordance with European Noise Directive (2000/14/EC)

Sound Attenuated (SA) Sound Pressure Levels (dBA)												
Generating Set Model	50 Hz						60 Hz					
	15m (50ft)		7m (23ft)		1m (3ft)		15m (50ft)		7m (23ft)		1m (3ft)	
	75% Load	100% Load	75% Load	100% Load	75% Load	100% Load	75% Load	100% Load	75% Load	100% Load	75% Load	100% Load
3 Phase Models												
P135	62.6	63.1	68.6	69.1	80.0	80.1	66.6	67.1	72.6	73.1	84.2	84.7
P135P2	62.8	63.0	68.8	69.0	79.5	80.0	65.0	66.1	71.0	72.1	82.8	83.5
P150E	62.8	63.3	68.8	69.3	80.1	80.0	66.7	67.2	72.7	73.2	84.3	84.9
P150E2	62.9	63.1	68.9	69.1	79.7	80.3	65.3	66.8	71.3	72.8	83.0	83.8
P150P1	62.8	63.5	68.8	69.5	79.8	80.6	-	-	-	-	-	-
P150P2	62.9	63.1	68.9	69.1	79.7	80.3	65.3	66.8	71.3	72.8	83.0	83.8
P165E1	63.1	63.8	69.1	69.8	80.0	80.9	-	-	-	-	-	-
P165E2	62.9	63.2	68.9	69.2	79.8	80.6	65.7	67.5	71.7	73.5	83.2	84.2
P180P2	60.3	61.1	66.3	67.1	78.0	78.9	67.8	68.3	73.8	74.3	84.7	85.0
P200E2	60.6	61.5	66.6	67.5	78.3	79.4	67.9	68.5	73.9	74.5	84.8	85.2

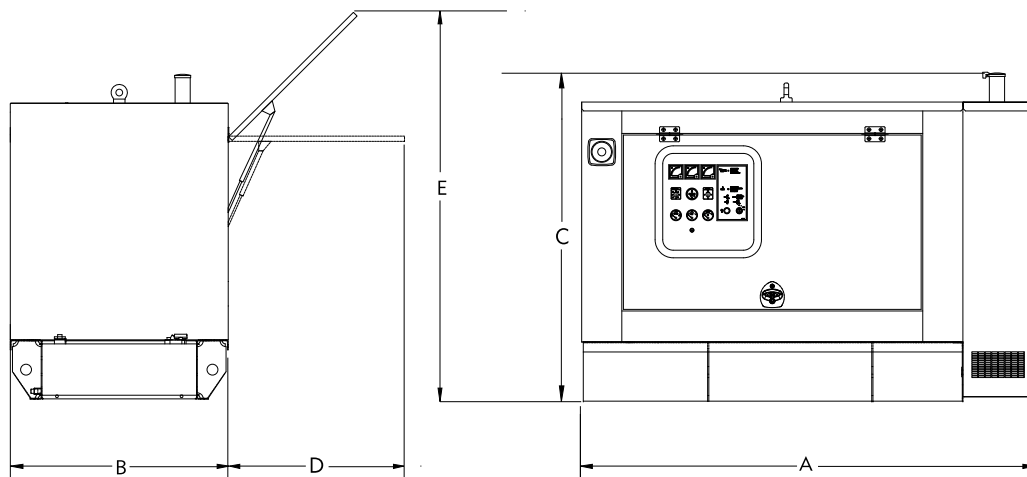
Levels in accordance with European Noise Directive (2000/14/EC)

Sound Attenuated (SA) Sound Pressure Levels (dBA)

Generating Set Model	50 Hz						60 Hz					
	15m (50ft)		7m (23ft)		1m (3ft)		15m (50ft)		7m (23ft)		1m (3ft)	
	75% Load	100% Load	75% Load	100% Load	75% Load	100% Load	75% Load	100% Load	75% Load	100% Load	75% Load	100% Load
Single Phase Models												
P24P1S	61.7	62.7	67.7	68.7	79.0	80.0	63.4	64.3	69.4	70.3	80.6	81.9
P24P2S	61.5	64.3	67.5	70.3	78.7	82.1	-	-	-	-	-	-
P26E1S	61.9	63.1	67.9	69.1	79.3	80.4	63.7	64.8	69.7	70.8	81.0	82.5
P26E2S	62.1	65.5	68.1	71.5	79.5	83.4	-	-	-	-	-	-
P32P2S	60.1	60.8	66.1	66.8	77.0	77.5	-	-	-	-	-	-
P32P3S	63.7	63.6	69.7	69.6	79.8	79.7	66.1	66.3	72.1	72.3	81.9	82.1
P35E2S	60.3	61.2	66.3	67.2	77.2	77.7	-	-	-	-	-	-
P35E3S	63.7	63.4	69.7	69.4	79.8	79.6	66.2	66.4	72.2	72.4	82.0	82.1
P32P5S	61.6	62.4	67.6	68.4	78.2	79.0	65.2	66.5	71.2	72.5	81.2	82.3
P35E5S	61.8	62.7	67.8	68.7	78.4	79.4	65.6	67.2	71.6	73.2	81.5	82.9
P40P1S	63.9	64.6	69.9	70.6	80.9	81.5	66.9	67.3	72.9	73.3	83.5	83.9
P40P2S	60.5	60.6	66.5	66.6	77.5	77.6	-	-	-	-	-	-
P44E1S	64.1	64.9	70.1	70.9	81.0	81.8	67.0	67.4	73.0	73.4	83.6	84.1
P44E2S	60.5	60.8	66.5	66.8	77.5	77.7	-	-	-	-	-	-
P45P3S	63.9	64.6	69.9	70.6	80.9	81.5	66.9	67.3	72.9	73.3	83.5	83.9
P45P2S	60.5	60.8	66.5	66.8	77.5	77.7	-	-	-	-	-	-
P50E2S	60.6	61.0	66.6	67.0	77.6	77.8	-	-	-	-	-	-
P50E3S	64.4	65.4	70.4	71.4	81.3	82.2	67.2	67.7	73.2	73.7	83.8	84.4
P45P5S	63.0	63.3	69.0	69.3	79.3	79.8	65.8	66.4	71.8	72.4	81.9	82.7
P50E5S	63.0	63.5	69.0	69.5	79.5	80.1	66.0	66.8	72.0	72.8	82.2	83.2
P58P1S	63.2	64.0	69.2	70.0	79.7	80.8	66.4	67.5	72.4	73.5	82.6	84.0
P58P2S	62.5	62.9	68.5	68.9	79.7	80.0	-	-	-	-	-	-
P64E1S	63.4	64.5	69.4	70.5	80.0	81.4	66.7	68.2	72.7	74.2	83.0	84.8
P64E2S	62.6	63.1	68.6	69.1	79.8	80.1						
P72P2S	62.8	63.4	68.8	69.4	79.9	80.4	64.2	65.0	70.2	71.0	81.1	82.2
P80E2S	63.0	63.7	69.0	69.7	80.0	80.7	64.4	65.7	70.4	71.7	81.4	82.8
P96SP1	62.4	62.9	68.4	68.9	80.0	80.1	66.2	66.7	72.2	72.7	83.9	84.3
P105ESP1	62.6	63.1	68.6	69.1	80.0	80.1	66.4	66.8	72.4	72.8	84.0	84.4

Levels in accordance with European Noise Directive (2000/14/EC)

Dimensions, Weights and Fuel Capacities



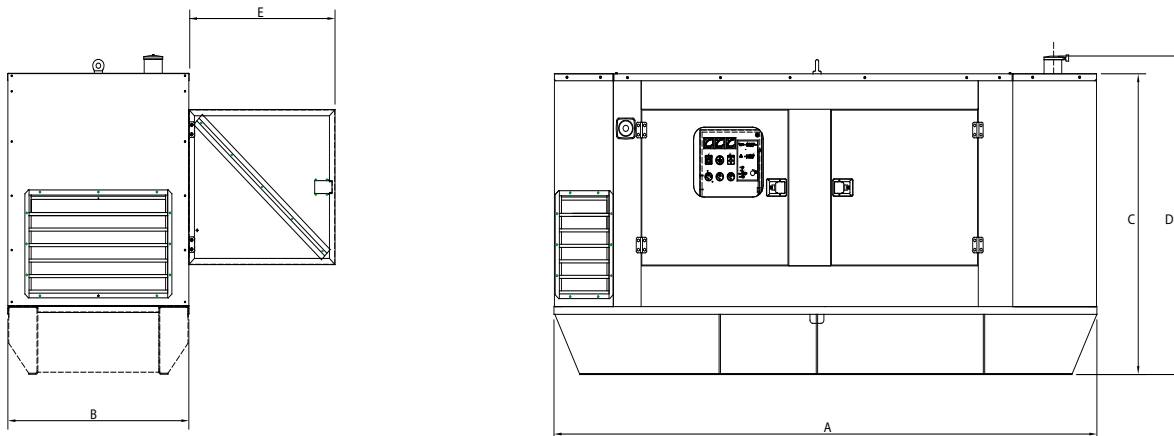
Generating Set Model	A: mm (in)	B: mm (in)	C: mm (in)	D*: mm (in)	E: mm (in)	Weight: kg (lb)	Fuel Capacity l (US gal)
3 Phase Models							
P27P1/P30E1	2097 (82.6)	950 (37.4)	1565 (61.6)	885 (34.8)	2010 (79.1)	1104 (2434)	230 (61.0)
P27P2/P30E2	2097 (82.6)	950 (37.4)	1565 (61.6)	885 (34.8)	2010 (79.1)	1104 (2434)	230 (61.0)
P30P1/P33E1	2097 (82.6)	950 (37.4)	1565 (61.6)	885 (34.8)	2010 (79.1)	1114 (2456)	230 (61.0)
P30P2/P33E2	2097 (82.6)	950 (37.4)	1565 (61.6)	885 (34.8)	2010 (79.1)	1114 (2456)	230 (61.0)
P40P2/P44E2	2275 (89.6)	1100 (43.3)	1614 (63.5)	885 (34.8)	2080 (81.9)	1245 (2745)	245 (65.0)
P40P3/P44E3	2275 (89.6)	1100 (43.3)	1614 (63.5)	885 (34.8)	2080 (81.9)	1245 (2745)	245 (65.0)
P40P5/P44E5	2275 (89.6)	1100 (43.3)	1614 (63.5)	885 (34.8)	2080 (81.9)	1303 (2873)	245 (65.0)
P45P2/P50E2	2275 (89.6)	1100 (43.3)	1614 (63.5)	885 (34.8)	2080 (81.9)	1245 (2745)	245 (65.0)
P45P3/P50E3	2275 (89.6)	1100 (43.3)	1614 (63.5)	885 (34.8)	2080 (81.9)	1245 (2745)	245 (65.0)
P50P1/P55E1	2275 (89.6)	1100 (43.3)	1614 (63.5)	885 (34.8)	2080 (81.9)	1265 (2789)	245 (65.0)
P50P2/P55E2	2275 (89.6)	1100 (43.3)	1614 (63.5)	885 (34.8)	2080 (81.9)	1323 (2917)	245 (65.0)
P60P2/P65E2	2275 (89.6)	1100 (43.3)	1614 (63.5)	885 (34.8)	2080 (81.9)	1373 (3027)	245 (65.0)
P60P3/P65E3	2275 (89.6)	1100 (43.3)	1614 (63.5)	885 (34.8)	2080 (81.9)	1315 (2899)	245 (65.0)
P60P5/P65E5	2275 (89.6)	1100 (43.3)	1614 (63.5)	885 (34.8)	2080 (81.9)	1373 (3027)	245 (65.0)
P80P1/P88E1	2275 (89.6)	1100 (43.3)	1614 (63.5)	885 (34.8)	2080 (81.9)	1435 (3164)	245 (65.0)
P80P2/P88E2	2805 (110.4)	1100 (43.3)	1635 (64.4)	885 (34.8)	2030 (79.9)	1532 (3377)	300 (79.0)
P100P2/P110E2	2805 (110.4)	1100 (43.3)	1635 (64.4)	885 (34.8)	2030 (79.9)	1560 (3439)	300 (79.0)
P135/P150E	3525 (138.8)	1100 (43.3)	1636 (64.4)	885 (34.8)	2058 (81.0)	1970 (4343)	375 (99.0)
P135P2/P150E2	3525 (138.8)	1100 (43.3)	1828 (72.0)	857 (33.7)	N/A [‡]	2118 (4669)	332 (88.0)
P150P1/P165E1	3532 (139.1)	1100 (43.3)	1828 (72.0)	885 (34.8)	2100 (82.7)	1975 (4354)	375 (99.0)
P150P2/P165E2	3525 (138.8)	1100 (43.3)	1828 (72.0)	857 (33.7)	N/A [‡]	2173 (4791)	332 (88.0)

*Clearance required on both sides of set

Weight with lube oil and coolant, no fuel.

[‡]Side opening doors.

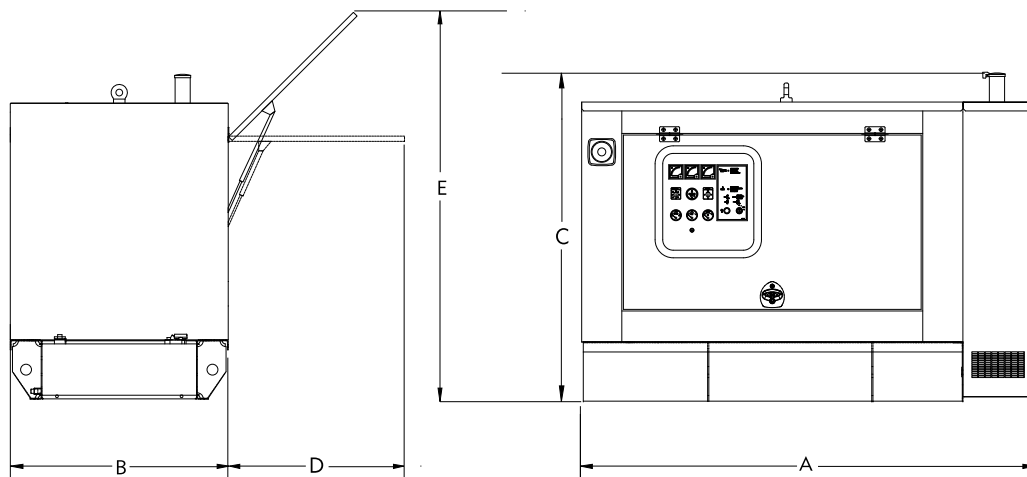
Dimensions, Weights and Fuel Capacities



Generating Set Model	A: mm (in)	B: mm (in)	C: mm (in)	D: mm (in)	E: mm (in)	Weight: kg (lb)	Fuel Capacity l (US gal)
3 Phase Models							
P180P2/P200E2	3894 (153.3)	1300 (51.2)	1875 (73.8)	1996 (78.6)	1050 (41.3)	2704 (5961)	491 (130)

Weight with lube oil and coolant, no fuel.

Dimensions, Weights and Fuel Capacities



Generating Set Model	A: mm (in)	B: mm (in)	C: mm (in)	D*: mm (in)	E: mm (in)	Weight: kg (lb)	Fuel Capacity l (US gal)
Single Phase Models							
P24P1S/P26E1S	2097 (82.6)	950 (37.4)	1565 (61.6)	885 (34.8)	2010 (79.1)	1114 (2456)	230 (61.0)
P24P2S/P26E2S	2097 (82.6)	950 (37.4)	1565 (61.6)	885 (34.8)	2010 (79.1)	1114 (2456)	230 (61.0)
P32P2S/P35E2S	2275 (89.6)	1100 (43.3)	1614 (63.5)	885 (34.8)	2080 (81.9)	1245 (2745)	245 (65.0)
P32P3S/P35E3S	2275 (89.6)	1100 (43.3)	1614 (63.5)	885 (34.8)	2080 (81.9)	1315 (2899)	245 (65.0)
P32P5S/P35E5S	2275 (89.6)	1100 (43.3)	1614 (63.5)	885 (34.8)	2080 (81.9)	1373 (3027)	245 (65.0)
P40P1S/P44E1S	2275 (89.6)	1100 (43.3)	1614 (63.5)	885 (34.8)	2080 (81.9)	1315 (2899)	245 (65.0)
P40P2S/P44E2S	2275 (89.6)	1100 (43.3)	1614 (63.5)	885 (34.8)	2080 (81.9)	1373 (3027)	245 (65.0)
P45P2S/P50E2S	2275 (89.6)	1100 (43.3)	1614 (63.5)	885 (34.8)	2080 (81.9)	1413 (3115)	245 (65.0)
P45P3S/P50E3S	2275 (89.6)	1100 (43.3)	1614 (63.5)	885 (34.8)	2080 (81.9)	1355 (2987)	245 (65.0)
P45P5S/P50E5S	2275 (89.6)	1100 (43.3)	1614 (63.5)	885 (34.8)	2080 (81.9)	1413 (3115)	245 (65.0)
P58P1S/P64E1S	2275 (89.6)	1100 (43.3)	1614 (63.5)	885 (34.8)	2080 (81.9)	1478 (3258)	245 (65.0)
P58P2S/P64E2S	2805 (110.4)	1100 (43.3)	1635 (63.4)	885 (34.8)	2030 (79.9)	1560 (3439)	300 (79.0)
P72P2S/P80E2S	2805 (110.4)	1100 (43.3)	1635 (64.4)	885 (34.6)	2030 (79.9)	1685 (3715)	300 (79.0)
P96SP1/P105ESP1	3900 (153.5)	1300 (51.2)	1996 (78.6)	1050 (41.3)	N/A [‡]	2411 (5315)	550 (145.0)

*Clearance required on both sides of set;

Weight with lube oil, no fuel.

[‡]Side opening doors.



From your local dealer



FG Wilson has manufacturing facilities in the following locations:

Northern Ireland • Brazil • China • India • USA

With headquarters in Northern Ireland, FG Wilson operates through a Global Dealer Network. To contact your local Sales Office please visit the FG Wilson website at www.FGWilson.com

