



Technical specification

Submersible pump B 2250, 50 Hz



Flygt



ITT Industries



BIBO 2250

Product

Submersible pump for dewatering building yards, draining water in flooded areas, and other similar applications. The pump can handle water containing relatively abrasive solids.

Denomination

Product code	2250.011
Installation	S
Impeller characteristics	MT, HT

Process data

Liquid temperature	max +40 °C
Depth of immersion	max 20 m
The pH of the pumped liquid	pH 5 - 8
Liquid density	max 1100 kg/m ³
Strainer hole size	15 mm x 45 mm

Motor data

Frequency	50 Hz
Insulation class	H (+180 °C)
Voltage variation	
- continuously running	max ± 5%
- intermittent running	max ± 10%
Voltage imbalance between phases	max 2%
No. of starts/hour	max 30

Cable

Direct-on-line start

SUBCAB®	4G25 mm ²
	4G25+2x1,5 mm ²
	4G35 mm ²
	4G35+2x1,5 mm ²

Y/D start

SUBCAB®	2x4G16 mm ²
	2x4G16+2x1,5 mm ²
	2x4G25+2x1,5 mm ²
	2xG35+2x1,5 mm ²

Monitoring equipment

Thermal contacts opening temperature	125 °C
--------------------------------------	--------

Material

Impeller	Alloyed white cast iron
Wear parts	Nitrile rubber
Stator housing	Aluminium
Strainer	Steel
Shaft	Stainless steel
O-rings	Nitrile rubber

Mechanical face seals

Alternative	Inner seal	Outer seal
1	Corrosion resistant cemented carbide/ Corrosion resistant cemented carbide	Corrosion resistant cemented carbide/ Corrosion resistant cemented carbide

Surface Treatment

The pump top is sprayed with blue paint.

Weight

See dimensional drawing.

Option

Polyurethane-lined wear parts	POLY-LIFE®
Discharge connection with coupling 6"	
Other cables	
Zinc anodes	
Tandem connection	

Accessories

Adapters, hose connections and other mechanical accessories.

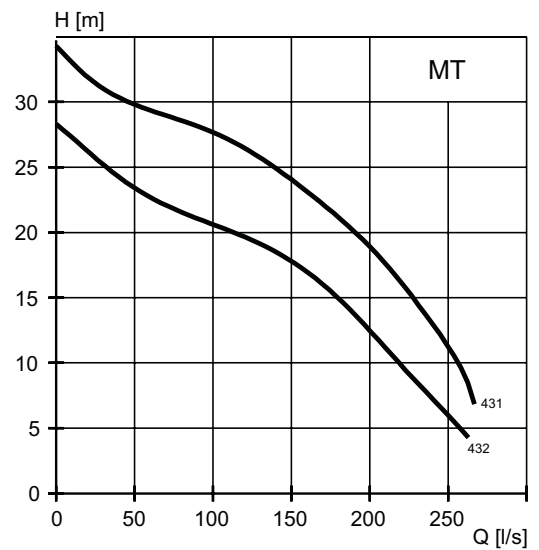
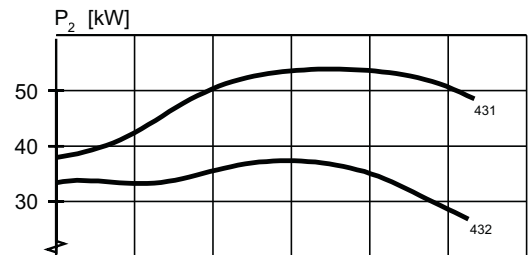
Electrical accessories such as pump controller, control panels, starters, monitoring relays, cables.

See separate booklet or www.flygt.com, for further information.

MT-Motor rating and performance curve

Curve/Impeller No	Rated Power, kW	Rated current, A	Starting current, A	Power factor $\cos \phi$	Ex proof version available
400 V, 50 Hz, 3 ~, 1475 r/min					
431	54	101	585	0,84	
432	54	101	585	0,84	

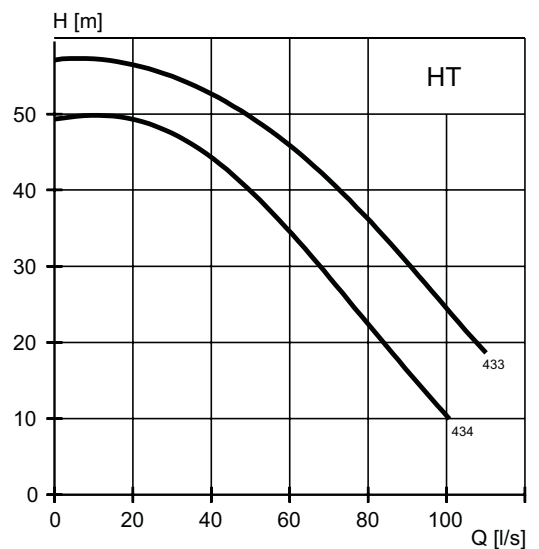
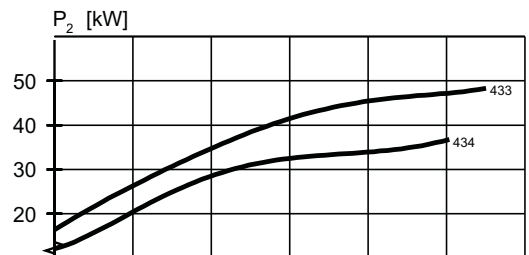
Y/D starting current is approximately 1/3 of D starting current.



HT-Motor rating and performance curve

Curve/Impeller No	Rated Power, kW	Rated current, A	Starting current, A	Power factor $\cos \phi$	Ex proof version available
400 V, 50 Hz, 3 ~, 1475 r/min					
433	54	101	585	0,84	
434	54	101	585	0,84	

Y/D starting current is approximately 1/3 of D starting current.



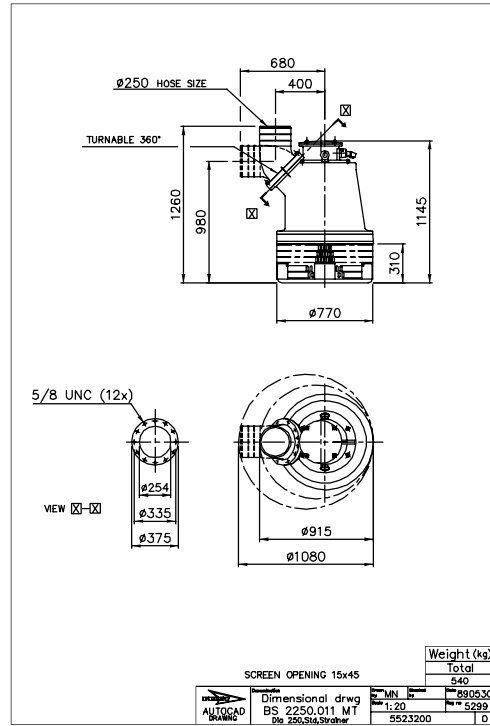
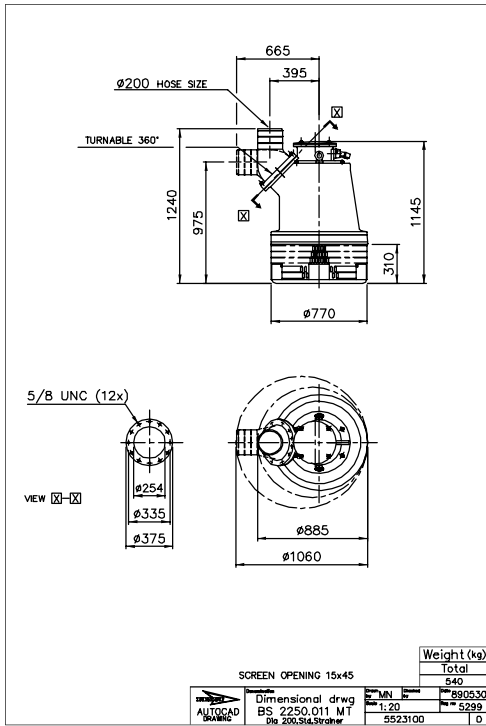
Dimensional drawing

All drawings are available as Acrobat documents (.pdf) and AutoCad drawings (.dwg). Download the drawings from www.flygt.com or contact your ITT Flygt representative for more information.

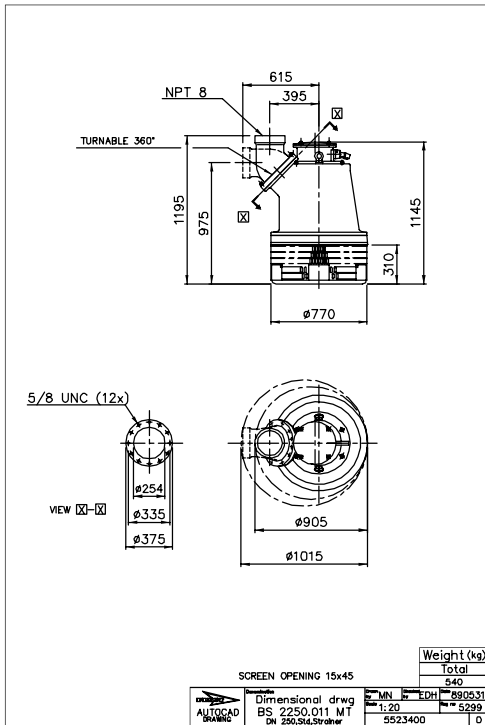
All dimensions are in mm.

MT, S-installation

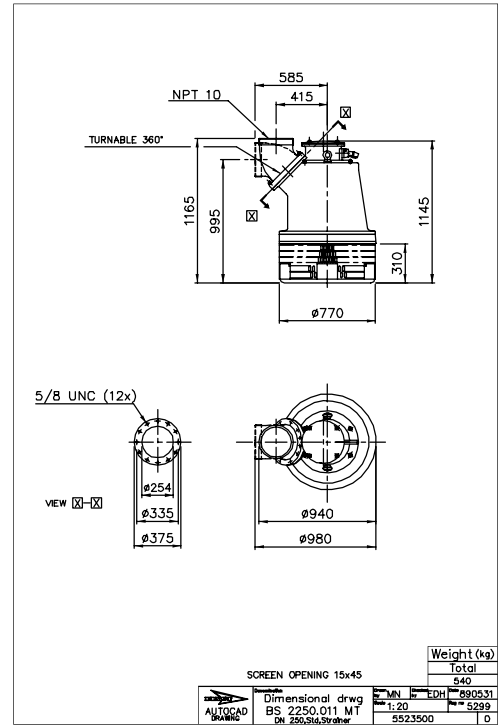
MT, S-installation



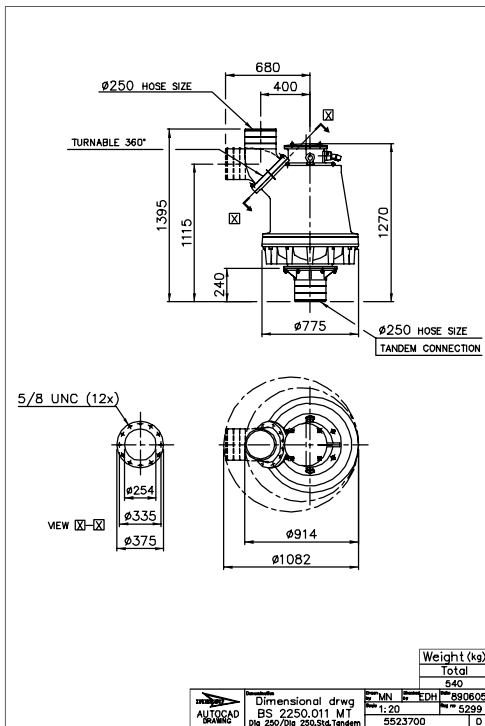
MT, S-installation



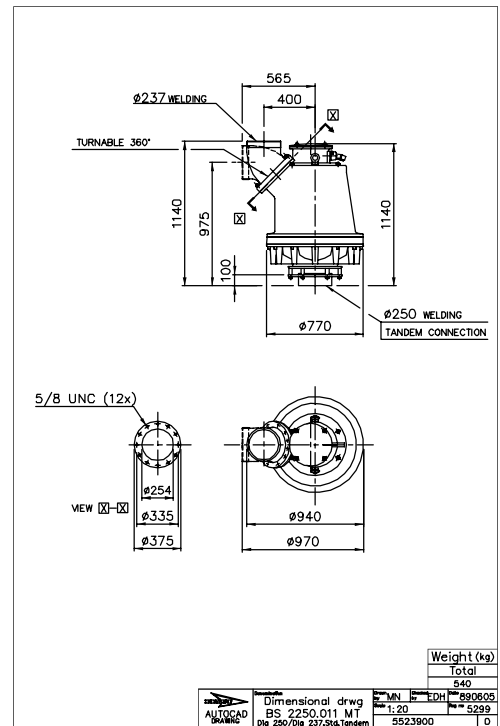
MT, S-installation



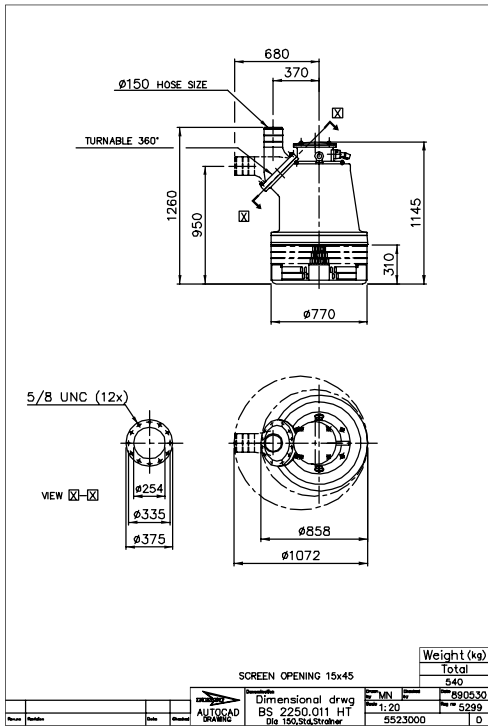
MT, S-installation



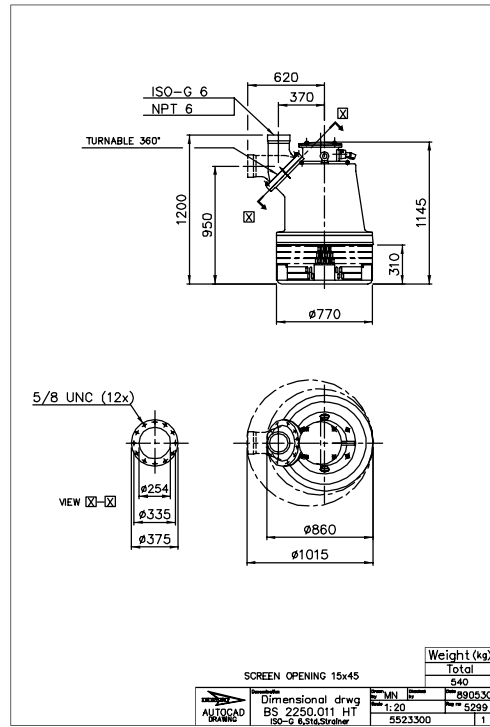
MT, S-installation



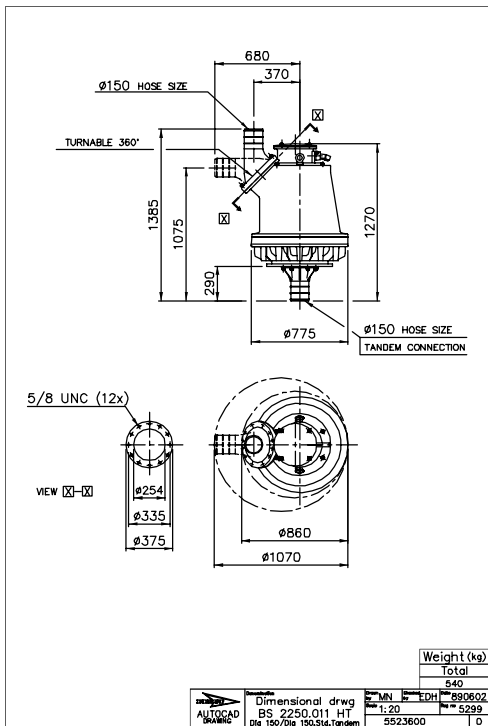
HT, S-installation



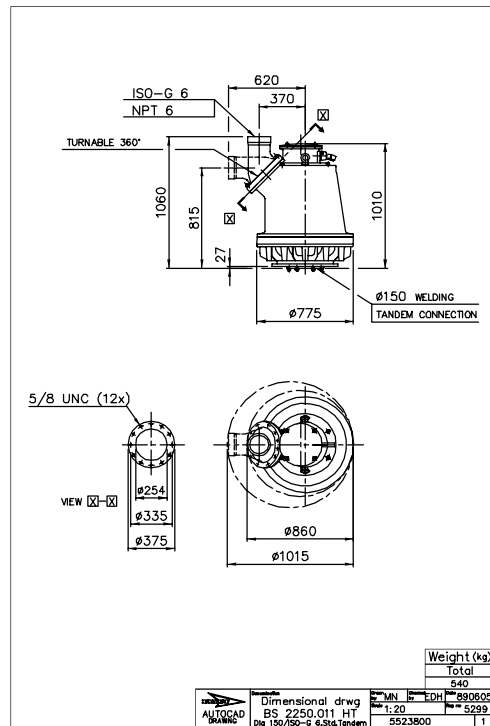
HT, S-installation



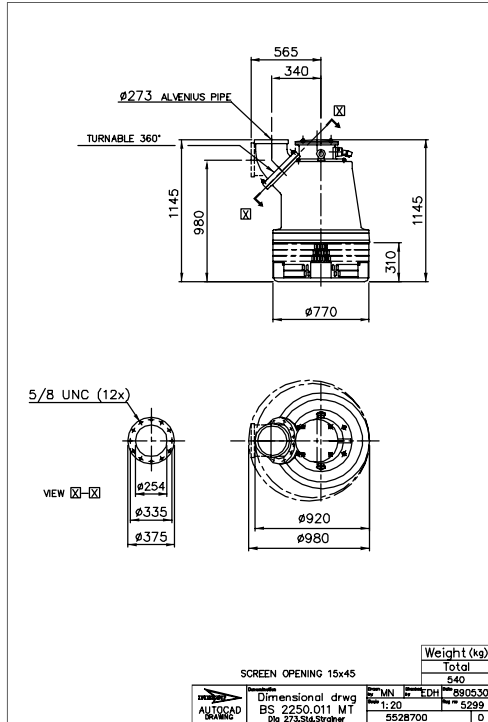
HT, S-installation



HT, S-installation



MT, S-installation





www.flygt.com