



# Technical specification

---

Submersible pump B 2400, 50 Hz



Flygt





## BIBO 2400

### Product

Submersible pump for dewatering building yards, draining water in flooded areas, and other similar applications.

### Denomination

Product code	2400.402 2400.591
Installation	S
Impeller characteristics	MT, HT

### Process data

Liquid temperature	max +40 °C
The pH of the pumped liquid	pH 6 - 11
Liquid density	max. 1100 kg/m <sup>3</sup>
Strainer hole size	10 mm x 10 mm
Depth of immersion	max. 75 m

### Motor data

Frequency	50 Hz
Insulation class	H (+180 °C)
Voltage variation	
- continuously running	max ± 5%
- intermittent running	max ± 10%
Voltage imbalance between phases	max 2%
No. of starts/hour	max 30

### Cable

#### Direct-on-line start

SUBCAB®	4G35 mm <sup>2</sup> 4G50 mm <sup>2</sup> 4G70 mm <sup>2</sup>
---------	--

#### Y/D start

SUBCAB®	4G25+2x1,5 mm <sup>2</sup> 4G35+2x1,5 mm <sup>2</sup>
---------	--

### Monitoring equipment

Thermal contacts opening temperature	125 °C
--------------------------------------	--------

### Material

Impeller	Alloyed white cast iron
Wear parts	Nitrile rubber
Stator housing	Cast iron
Pump housing	Cast iron
Strainer	Galvanized steel
Shaft	Stainless steel
O-rings	Nitrile rubber

#### Mechanical face seals

Alternative	Inner seal	Outer seal
1	Corrosion resistant cemented carbide/ Corrosion resistant cemented carbide	Corrosion resistant cemented carbide/ Corrosion resistant cemented carbide

#### Surface Treatment

Product code	Treatment
2400.402	Finishing coating of oxiran ester paint in orange colour.
2400.591	Finishing coating of oxiran ester paint in black colour.

### Weight

See dimensional drawing.

### Approvals

2400.591	EN 50014, EN 50018, EEX de I, EEX de IIB T4
----------	---

### Option

Pump housing	Stainless steel
--------------	-----------------

#### Impeller

Alternative	Material
1	Spheroidal graphite iron <sup>1)</sup>
2	Stainless steel

1) Only HT

- Stand
- Other cables
- Zinc anodes

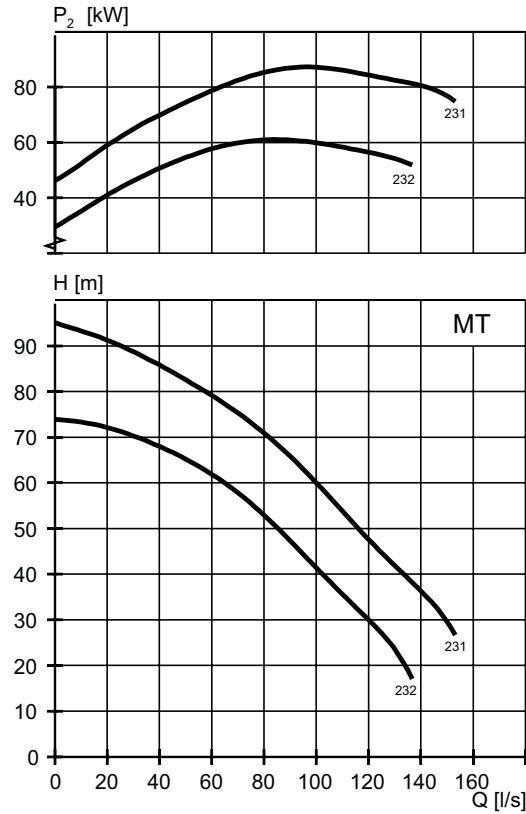
### Accessories

Adapters, hose connections and other mechanical accessories.  
Electrical accessories such as pump controller, control panels, starters, monitoring relays, cables.  
See separate booklet or [www.flygt.com](http://www.flygt.com), for further information.

### MT-Motor rating and performance curve

Curve/impeller No	Rated Power, kW	Rated current, A	Starting current, A	Power factor cos $\phi$	Ex proof version available
<b>400 V, 50 Hz, 3 ~, 2965 r/min</b>					
231	90	149	1255	0,92	•
232	90	149	1255	0,92	•

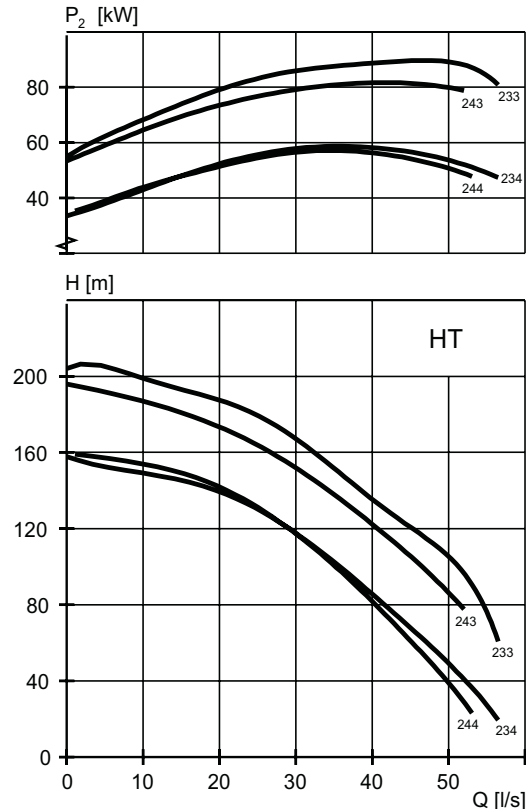
Y/D starting current is approximately 1/3 of D starting current.



### HT-Motor rating and performance curve

Curve/impeller No	Rated Power, kW	Rated current, A	Starting current, A	Power factor cos $\phi$	Ex proof version available
<b>400 V, 50 Hz, 3 ~, 2965 r/min</b>					
233	90	149	1255	0,92	
234	90	149	1255	0,92	
243	90	149	1255	0,92	•
244	90	149	1255	0,92	•

Y/D starting current is approximately 1/3 of D starting current.



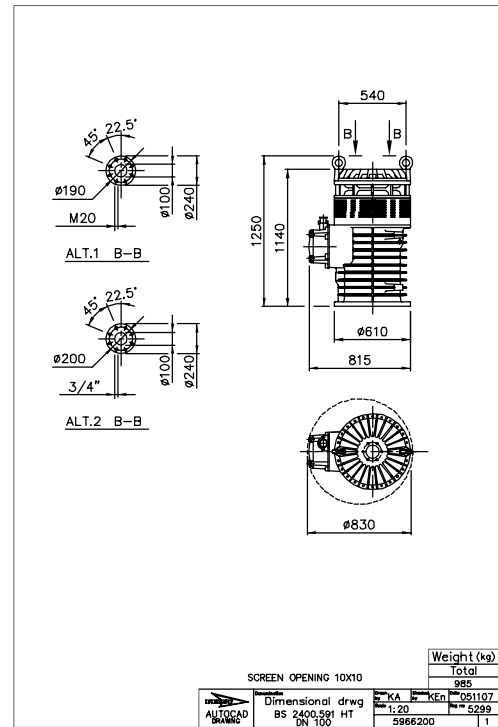
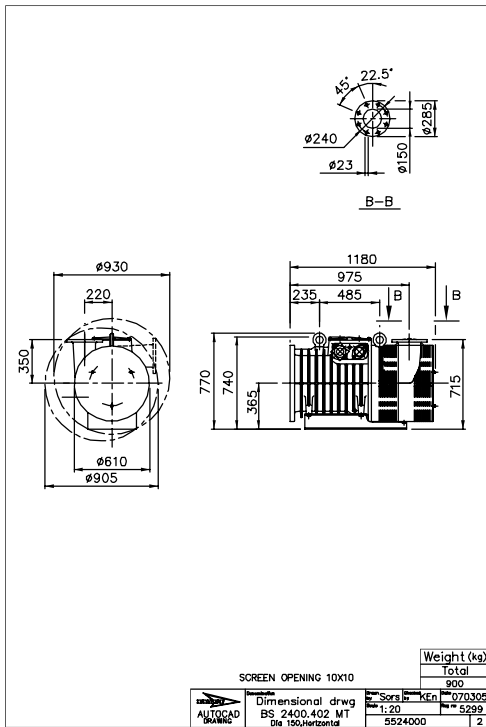
## Dimensional drawing

All drawings are available as Acrobat documents (.pdf) and AutoCad drawings (.dwg). Download the drawings from [www.flygt.com](http://www.flygt.com) or contact your ITT Flygt representative for more information.

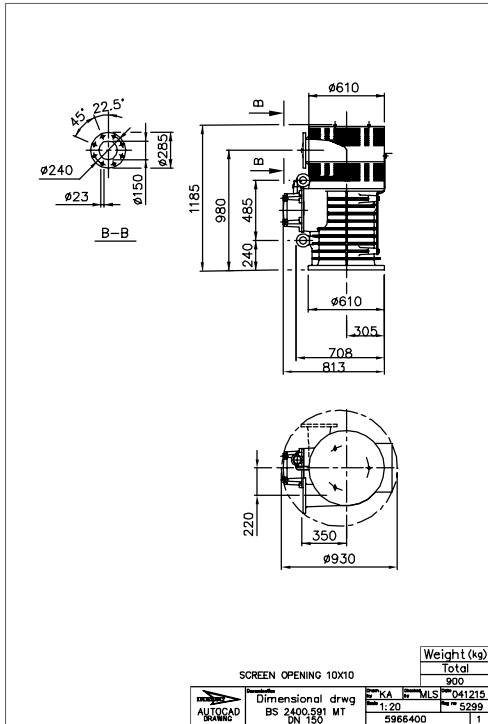
All dimensions are in mm.

### MT, S-installation

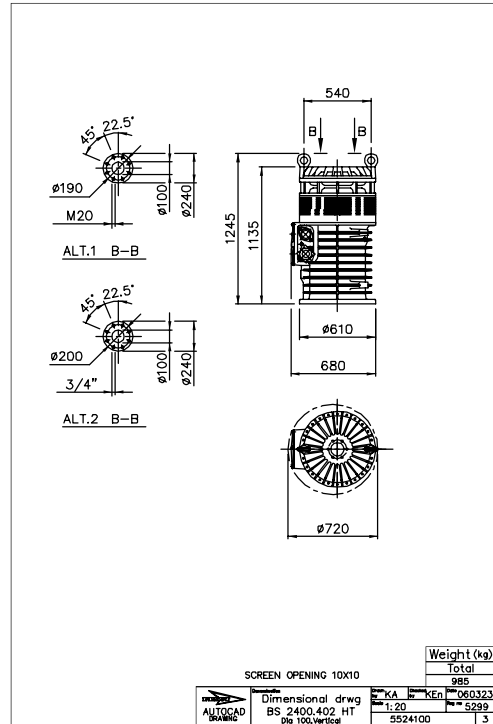
### MT, S-installation



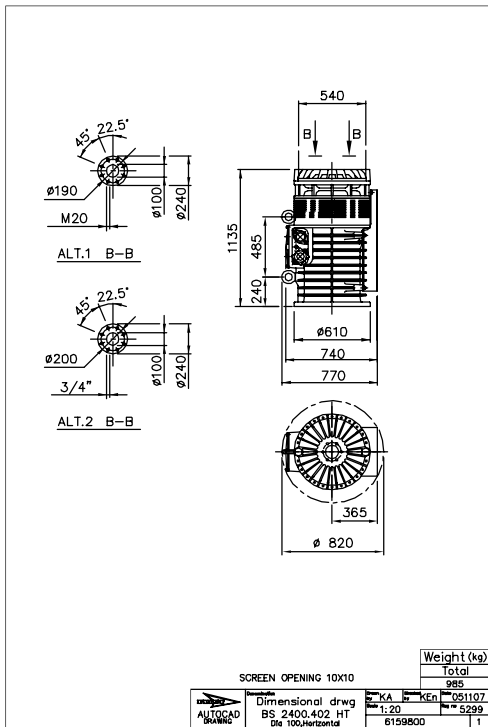
**MT, S-installation**



**HT, S-installation**



**HT, S-installation**



**HT, S-installation**

