

MECHANICAL SEAL ASSEMBLY

Pos	Qty	Part No	Description
22	1	142-0733-9912	SEAL BONDED RUBBER
21	1	132-0507-6172	PLAIN WASHER
20	1	132-0950-3616	SKIN W/EX HEAD STIFF
19	1	138-1921-0112	LIP SEAL SLEEVE
18	1	136-0581-6563	SHIM WEARPLATE
17	1	136-0581-6563	SHIM WEARPLATE
16	1	136-0581-6523	SHIM WEARPLATE
15	2	136-0581-6523	SHIM WEARPLATE
14	1	136-0581-6513	SHIM WEARPLATE
13	1	136-0557-6563	SHIM
12	1	136-0557-6533	SHIM
11	1	136-0557-6523	SHIM
10	1	136-0557-6513	SHIM
9	1	138-1355-1112	O RING
8	1	138-1283-1112	O RING
7	1	138-1268-1112	O RING
6	1	138-1226-1112	O RING
5	1	138-1313-1112	O RING
4	1	138-1370-9912	MECHANICAL SEAL
3	1	138-1232-9912	SEAL FACE
2	1	138-1336-9913	SEAL SEAT
1	10	142-3-1927-9912	SEAL BONDED RUBBER

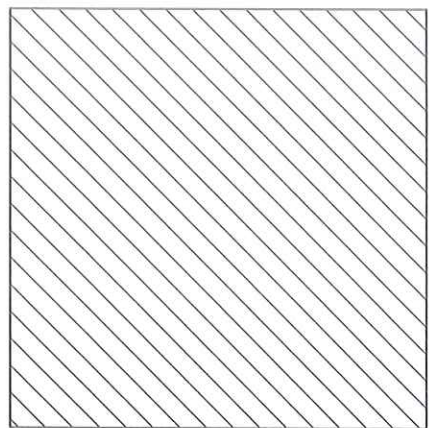
ENGINE DRIVEN BEARING BRACKET

SEAL KIT : SK40  
 ITEMS NOT SHOWN:  
 ITEM 19 IS A LIP SEAL SLEEVE FOR SHAFT REPAIR

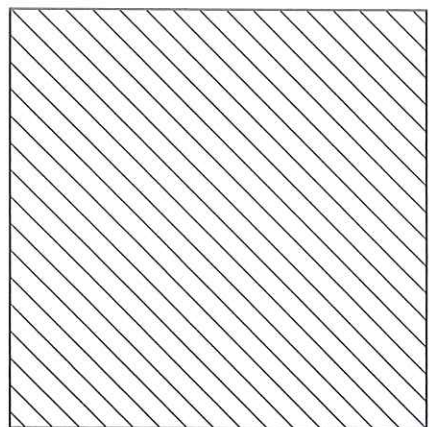
PARTS CONTAINED IN SEAL KIT ARE NOT RETURNABLE.  
 WHEN ORDERING INDIVIDUAL SPARE PUMP PARTS, PLEASE DO NOT  
 USE THE NUMBERS ON THIS SHEET.  
 THESE NUMBERS ARE FOR SEAL KIT REFERENCE ONLY - PLEASE REFER  
 TO THE PARTS BREAKDOWN FOR THE UNIT.  
 PLEASE BE AWARE THAT ALL LARGE DIAMETER GASKETS/SHIMS ARE  
 ALSO CONTAINED AT THE BOTTOM OF THIS PACKAGING BOX.

<b>godwin</b> a system brand		Part Building Station Damyan Overier Description: EJ 38L Equip: 16.11.14 (06/07/2021) workorder: 2020		Title: SK40 Part No: 142-100/125/150M Date: 2020	
100% Control Surveilling Dimensions by Various Machine Dimensions		100% Control Surveilling Dimensions by Various Machine Dimensions		Title: SK40 Part No: 142-100/125/150M Date: 2020	
100% Control Surveilling Dimensions by Various Machine Dimensions		100% Control Surveilling Dimensions by Various Machine Dimensions		Title: SK40 Part No: 142-100/125/150M Date: 2020	

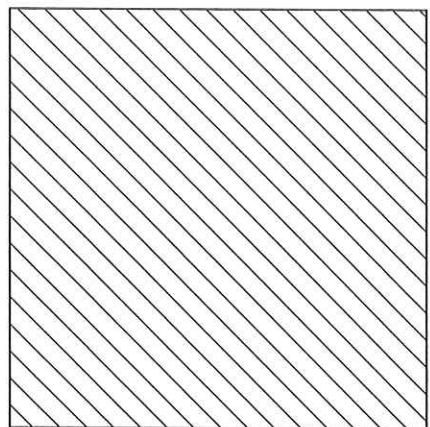
Item 4  
38-1370-9912



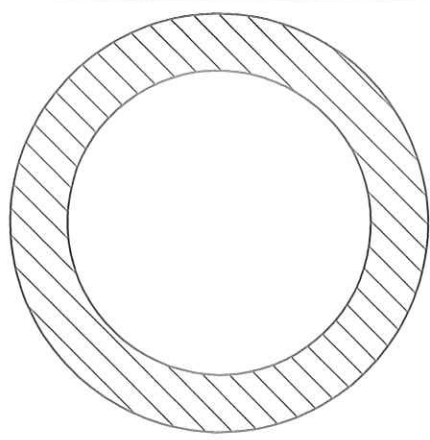
Item 3  
38-1432-9912



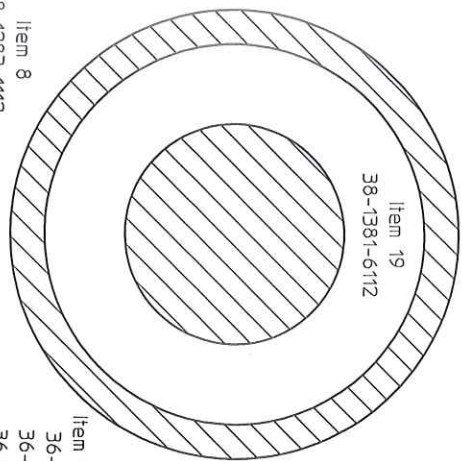
Item 2  
38-1336-9913



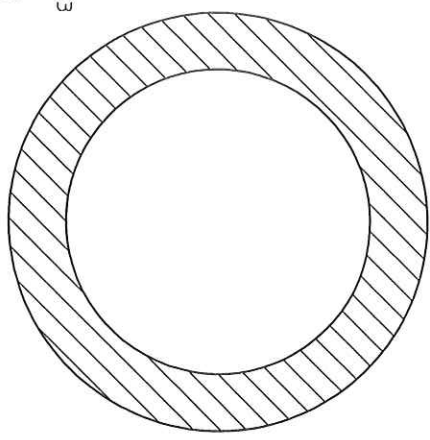
Item 6  
38-1426-1112



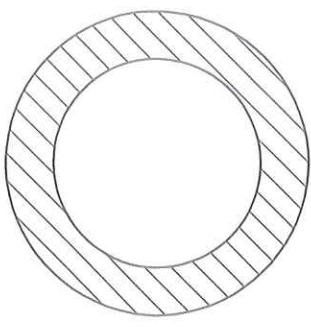
Item 5  
38-1313-1112



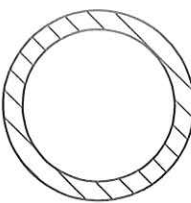
Item 9  
38-1355-1112



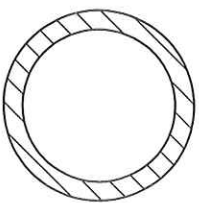
Item 18  
38-1341-4112



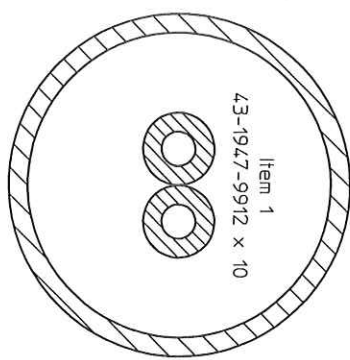
Item 8  
38-1283-1112



Item 10, 11, 12, 13  
36-0557-6513  
36-0557-6523  
36-0557-6533  
36-0557-6543



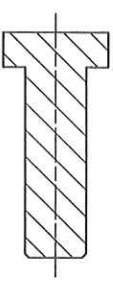
Item 7  
38-1348-1112



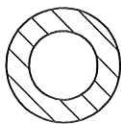
Item 22  
43-0733-9912



Item 20  
35-0550-3618



Item 21  
35-0501-6172



Item 1  
43-1947-9912 x 10

