

Service Parts

Engine

Engine Models:

John Deere TO4039D

4039TL

CD4039DF

CD4039TF

4045DF

4045TF

Generator Models:

20-40ROZJ/REOZJ

20-40DSJ/DSEJ

50/60ROZJ serial nos. 257821 and above

50/60REOZJ/REOZJB

50/60DSJ/DSEJ/DSEJB

80REOZJB

80DSEJB

Table of Contents

SUBJECT	PAGE	SUBJECT	PAGE
Introduction	1	Group 12a: Exhaust Manifold	40
Number Significance	1	Group 12b: Exhaust Elbow	41
How to Find Part Numbers	1	Group 13a: Flywheel	42
Specification Number Index	2	Group 13b: Flywheel Housing	43
Group 1: Air Intake	7	Group 14: Fuel Pump	45
Group 2a: Water Pump	8	Group 15: Fuel Filter	46
Group 2b: Thermostat	10	Group 16: Balancer Shafts	50
Group 2c: Fan Belt	13	Group 18: Timing Gear Cover	51
Group 2d: Fan Drive	14	Group 21a: Oil Pan	53
Group 3: Vent Tube	15	Group 21b: Oil Fill Tube	58
Group 4a: Camshaft	17	Group 21c: Oil Cooler	59
Group 4b: Valve Train	18	Group 22: Piston and Connecting Rod	61
Group 4c: Rocker Arm Cover	19	Group 25: Oil Pump	62
Group 5a: Fuel Injection Pump	20	Group 26: Front Plate	64
Group 5b: Fuel Injection Nozzle	24	Group 39a: Cylinder Head Gasket Set	66
Group 7: Cylinder Block	26	Group 39b: Overhaul Gasket Kit	67
Group 8a: Crankshaft	30	Group 42: Short Block	69
Group 8b: Crankshaft Pulley	31	Group 50a: Turbocharger and Oil Lines	70
Group 9: Cylinder Head	32	Group 51a: Alternator	71
Group 10a: Oil Filter	34	Group 51b: Alternator Brackets	74
Group 10b: Dipstick	35	Group 51c: Alternator Components	77
Group 11a: Starter Motor	36		
Group 11b: Starter Motor Components	38		

Introduction

This manual lists service replacement parts for John Deere 4039 and 4045 engines.

At the time of print this manual applied to the engine models listed in the Specification Number Index. On occasion this manual may apply to engines not listed in the Specification Number Index.

Information in this publication represents data available at the time of print. The generator set manufacturer reserves the right to change this publication and the products represented without notice and without any obligation or liability whatsoever.

This manual includes the following main sections:

Table of Contents. Lists the sections of the manual.

Introduction (and other information sections). Contains introductory material about part numbers, illustrations, and hardware.

Index. Lists the engine models and groups.

Group Parts Lists. List the part numbers of parts in the groups.

Numbering System Significance

This manual uses the following numbering systems:

Engine Model. The product identification number located on the engine nameplate. Engines break down into groups.

Group Number. A unique number representing a parts group needed to assemble an engine function. For example, Group 1 is the Air Intake group.

Variation Number. A group might have several variations. Each variation performs the same function with different parts lists. For example, a 12-volt alternator and 24-volt alternator both perform the same function, but, with different parts. Each difference requires a group variation or module number.

Part Number. The part number identifies an individual assembly, subassembly, component, or accessory kit.

Illustrations

Illustrations (or exploded-view drawings) best representing the widest range of variations accompany most groups in this manual. Illustrations do not depict all details and may not show all parts. Do not use illustrations for assembly or disassembly.

x.in:004:004a

How to Find Part Numbers

Use the following steps to locate a service replacement part.

1. Locate the engine nameplate to **identify the engine model number**.
2. **Turn to the Specification Number Index.** The first column lists the engine model numbers. The headings identify the groups of parts that make up the engine.
3. **Identify the group** most likely to include the service part number.
4. **Find the group variation number** at the intersection of the model row and the group column. Note the variation number. If 2 or more variation numbers are listed, note all variation numbers.
5. **Page forward to locate the group** identified in step 3 or find the appropriate page in the Table of Contents.
6. **Find the part on the illustration** and note the item number of the part or **find the part description in the parts list**.
7. Select **the part number that corresponds to your group variation**. The first column lists the illustration item number. Find the variation(s) identified in the Specification Number Index in the appropriate column on the right side of the parts list table. Find the quantity used at the intersection of the item number row and the variation column. A blank space at the intersection means the variation/module does not use that part number.

Hardware References

Many common hardware items do not appear in parts manuals or will appear as common hardware entries. A common hardware entry lists the size of the hardware. For example, an item that appears as "Hardware, 3/8-16" in the text means that the piece is 3/8-16 size. Obtain common hardware locally.

Some hardware items require a specific size or some other characteristic. In that case, use the part number listed in the text.

When replacing hardware, do not substitute inferior grade hardware. Replacement hardware grade should be equal to or better than the grade of the manufacturer's original hardware.

Specification Number Index

Group Title		<i>Air Intake</i>	<i>Water Pump</i>	<i>Thermostat</i>	<i>Fan Belt</i>	<i>Fan Drive</i>	<i>Vent Tube</i>	<i>Camshaft</i>	<i>Valve Train</i>	<i>Rocker Arm Cover</i>	<i>Fuel Injection Pump</i>	<i>Fuel Injection Nozzle</i>	<i>Cylinder Block</i>	<i>Crankshaft</i>	<i>Crankshaft Pulley</i>
Group No.	1	2a	2b	2c	2d	3	4a	4b	4c	5a	5b	7	8a	8b	
Variation Number															

Model															
20-40ROZJ or 20-40DSJ															
TO4039D	1	1	1	1		1	1	1	1	1	1	1	1	1	1
CD4039DF	1	1	3	2		1	1	2	2	3	1	3	2	3	
20-40REOZJ or 20-40DSEJ															
TO4045DF, 12 V	1705	5702 4401 2002	2102	2460	2314 8604 8701	2904	4602	4901	1101	1603	1603	4602	4701	1302	
TO4045DF, 24 V	1705	5702 4401 2002	2102	2460	2314 8604 8701	2904	4602	4901	1101	1674	1674	4602	4701	1302	
50/60ROZJ* or 50/60DSJ															
4039TL	2	1	2	2		1	1	1	1	2	2	2	1	2	
CD4039TF	2	1	4	2		1	1	2	2	3	2	3	2	4	
50/60REOZJ or 50/60DSEJ															
TO4045TF, 12 V	1701	5702 4401 2002	2102	2460	2301 8604 8701	2904	4601	4901	1101	1656	1656	4601	4701	1301	
TO4045TF, 24 V	1701	5702 4401 2002	2102	2460	2301 8604 8701	2904	4601	4901	1101	1677	1677	4601	4701	1301	
TO4045TF, 12 V 4S7 alternator	1701	5702 4401 2002	2102	2460	2301 8604 8701	2904	4601	4901	1101	1656	1656	4601	4701	1302	
TO4045TF, 24 V 4S7 alternator	1701	5702 4401 2002	2102	2460	2301 8604 8701	2904	4601	4901	1101	1677	1677	4601	4701	1302	
50/60REOZJB or 50/60DSEJB															
4045TF120, 12 V, 50 Hz	1701	5702 4401 2002	2112	240B	2314 8605 8711	2915	4602	4901	1101	16MT	16MT	4602	4701	1302	
4045TF150, 12 V, 60 Hz†	1701	5702 4401 2002	2112	240B	2314 8605 8711	2915	4602	4901	1101	16LZ or 1656†	16LZ or 1656†	4602	4701	1302	
4045TF120, 24 V, 50 Hz	1701	5702 4401 2002	2112	240B	2314 8605 8711	2915	4602	4901	1101	16MU	16MU	4602	4701	1302	
4045TF150, 24 V, 60 Hz†	1701	5702 4401 2002	2112	240B	2314 8605 8711	2915	4602	4901	1101	16MA or 1677†	16MA or 1677†	4602	4701	1302	

* These units used John Deere 4239TL engines on early model 50/60 kW (serial numbers below 257821) generator sets and John Deere 4039TL/CD4039TF engines on newer model 50/60 kW (serial number 257821 and above) generator sets. Check the generator set nameplate for the serial number and the engine nameplate for the engine model. Refer to Parts Catalog TP-5368 P/C John Deere 4239DL/TL if the generator set uses John Deere 4239TL engine.

† Use fuel injection pump variation 16LZ on generator set specification GM21199-GA5 **only. Use variation 1656 on other specs.**
Use fuel injection pump variation 16MA on generator set specification GM21199-GA7 **only. Use variation 1677 on other specs.**

Specification Number Index

Group Title	<i>Air Intake</i>	<i>Water Pump</i>	<i>Thermostat</i>	<i>Fan Belt</i>	<i>Fan Drive</i>	<i>Vent Tube</i>	<i>Camshaft</i>	<i>Valve Train</i>	<i>Rocker Arm Cover</i>	<i>Fuel Injection Pump</i>	<i>Fuel Injection Nozzle</i>	<i>Cylinder Block</i>	<i>Crankshaft</i>	<i>Crankshaft Pulley</i>
Group No.	1	2a	2b	2c	2d	3	4a	4b	4c	5a	5b	7	8a	8b
Variation Number														

Model														
80REOZJB or 80DSEJB														
4045TF220, 12 V, 50 Hz	1701	5702 4401 2001	2112	240D	2301 8605 8711	2915	4601	4901	1101	16GQ	16GQ	4601	4701	1301
4045TF250, 12 V, 60 Hz	1701	5702 4401 2001	2112	240D	2301 8605 8711	2915	4601	4901	1101	161C	161C	4601	4701	1301
4045TF220, 24 V, 50 Hz	1701	5702 4401 2001	2112	240D	2301 8605 8711	2915	4601	4901	1101	16LV	16LV	4601	4701	1301
4045TF250, 24 V, 60 Hz	1701	5702 2001 4401	2112	240D	2301 8605 8711	2915	4601	4901	1101	161D	161D	4601	4701	1301

Specification Number Index

Group Title		<i>Cylinder Head</i>	<i>Oil Filter</i>	<i>Dipstick</i>	<i>Starter Motor</i>	<i>Starter Motor Components</i>	<i>Exhaust Manifold</i>	<i>Exhaust Elbow</i>	<i>Flywheel</i>	<i>Flywheel Housing</i>	<i>Fuel Pump</i>	<i>Fuel Filter</i>	<i>Balancer Shafts</i>	<i>Timing Gear Cover</i>
Group No.	9	10a	10b	11a	11b	12a	12b	13a	13b	14	15	16	18	
Variation Number														

Model														
20-40ROZJ or 20-40DSJ														
TO4039D	1	1	1	1	1	1	—	1	1	1	1	—	1	
CD4039DF	2	2	2	1	1	1	—	1	1	1	2	—	2	
20-40REOZJ or 20-40DSEJ														
4045DF, 12 Volt	5102	8803	4002	3004	3004	2807	—	1507	1402	3702	3516	—	4401	
4045DF, 24 Volt	5102	8803	4002	3009	3009	2807	—	1507	1402	3702	3516	—	4401	
50/60ROZJ* or 50/60DSJ														
4039TL	1	1	1	1	1	2	2	1	1	1	1	2	1	
CD4039TF	2	1	1	1	1	2	2	1	2	1	2	3	2	
50/60REOZJ or 50/60DSEJ														
TO4045TF, 12 V	5102	8803	4002	3004	3004	2803	6401	1507	1402	3702	3516	4502	4401	
TO4045TF, 24 V	5102	8803	4002	3009	3009	2803	6401	1507	1402	3702	3516	4502	4401	
TO4045TF, 12 V 4S7 alternator	5102	8803	4002	3005	3005	2803	6401	1503	1403	3702	3516	4502	4401	
TO4045TF, 24 V 4S7 alternator	5102	8803	4002	3001	3001	2803	6401	1503	1403	3702	3516	4502	4401	
50/60REOZJB or 50/60DSEJB														
4045TF, 120, 12 V, 50 Hz	5102	8803	4002	3006	3006	2803	6401	1509	1406	3702	3516	—	4401	
4045TF150, 12 V, 60 Hz	5102	8803	4002	3006	3006	2803	6401	1509	1406	3702	3516	—	4401	
4045TF120, 24 V, 50 Hz	5102	8803	4002	3041	3041	2803	6401	1509	1406	3702	3516	—	4401	
4045TF150, 24 V, 60 Hz	5102	8803	4002	3041	3041	2803	6401	1509	1406	3702	3516	—	4401	
80REOZJB or 80DSEJB														
4045TF220, 12 V, 50 Hz	5102	8803	4002	3006	3006	2803	6401	1503	1406	3702	3516	4502	4401	
4045TF250, 12 V, 60 Hz	5102	8803	4002	3006	3006	2803	6401	1503	1406	3702	3516	4502	4401	
4045TF220, 24 V, 50 Hz	5102	8803	4002	3041	3041	2803	6401	1503	1406	3702	3516	4502	4401	
4045TF250, 24 V, 60 Hz	5102	8803	4002	3041	3041	2803	6401	1503	1406	3702	3516	4502	4401	

- Group parts not supplied with engine.

* These units used John Deere 4239TL engines on early model 50/60 kW (serial numbers below 257821) generator sets and John Deere 4039TL/CD4039TF engines on newer model 50/60 kW (serial number 257821 and above) generator sets. Check the generator set nameplate for the serial number and the engine nameplate for the engine model. Refer to Parts Catalog TP-5368 P/C John Deere 4239DL/TL if the generator set uses John Deere 4239TL engine.

Specification Number Index

Group Title														
	<i>Oil Pan</i>	<i>Oil Fill Tube</i>	<i>Oil Cooler</i>	<i>Piston & Connecting Rod</i>	<i>Oil Pump</i>	<i>Front Plate</i>	<i>Cylinder Head Gasket Set</i>	<i>Overhaul Gasket Set</i>	<i>Short Block</i>	<i>Turbocharger & Oil Lines</i>	<i>Alternator</i>	<i>Alternator Brackets</i>	<i>Alternator Components</i>	
Group No.	21a	21b	21c	22	25	26	39a	39b	42	50	51a	51b	51c	Variation Number

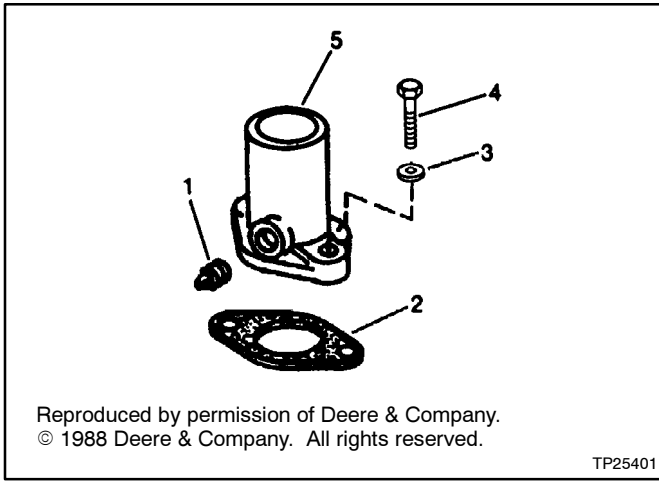
Model													
20-40ROZJ or 20-40DSJ													
TO4039D	1	1	1	1	1	1	1	1	1	—	1	1	1
CD4039DF	1	1	2	1	2	1	1	1	1	—	1	1	1
20-40REOZJ or 20-40DSEJ													
TO4045DF, 12 V	1902	1299	5901	3	5002	2	9901	9901	2	—	3109	6203	3109
TO4045DF, 24 V	1902	1299	5901	3	5002	2	9901	9901	2	—	3104	6203	3104
50/60ROZJ* or 50/60DSJ													
4039TL	2	1	1	2	1	1	2	2	1	2	1	1	1
CD4039TF	2	1	2	2	2	1	2	2	1	3	1	1	1
50/60REOZJ or 50/60DSEJ													
TO4045TF, 12 V	1904	1299	5901	4	5002	2	9901	9901	3	6524	3109	6203	3109
TO4045TF, 24 V	1904	1299	5901	4	5002	2	9901	9901	3	6524	3104	6203	3104
TO4045TF, 12 V 4S7 alternator	1904	1299	5901	4	5002	2	9901	9901	3	6524	3109	6203	3109
TO4045TF, 24 V 4S7 alternator	1904	1299	5901	4	5002	2	9901	9901	3	6524	3104	6203	3104
50/60REOZJB or 50/60DSEJB													
4045TF120, 12 V, 50 Hz	1904	1299	5901	4803	5002	—	9901	9901	3	65CQ	3122	6211	3122
4045TF150, 12 V, 60 Hz	1904	1299	5901	4803	5002	—	9901	9901	3	65CT	3122	6211	3122
4045TF120, 24 V, 50 Hz	1904	1299	5901	4803	5002	—	9901	9901	3	65CQ	3104	6212	3104
4045TF150, 24 V, 60 Hz	1904	1299	5901	4803	5002	—	9901	9901	3	65CT	3104	6212	3104
80REOZJB or 80DSEJB													
4045TF220, 12 V, 50 Hz	1904	1299	5901	4804	5002	3601	9901	9901	4	65DC	3122	6211	3122
4045TF250, 12 V, 60 Hz	1904	1299	5901	4804	5002	3601	9901	9901	4	65CT	3122	6211	3122
4045TF220, 24 V, 50 Hz	1904	1299	5901	4804	5002	3601	9901	9901	4	65DC	3104	6212	3104
4045TF250, 24 V, 60 Hz	1904	1299	5901	4804	5002	3601	9901	9901	4	65CT	3104	6212	3104

- Group parts not supplied with engine.

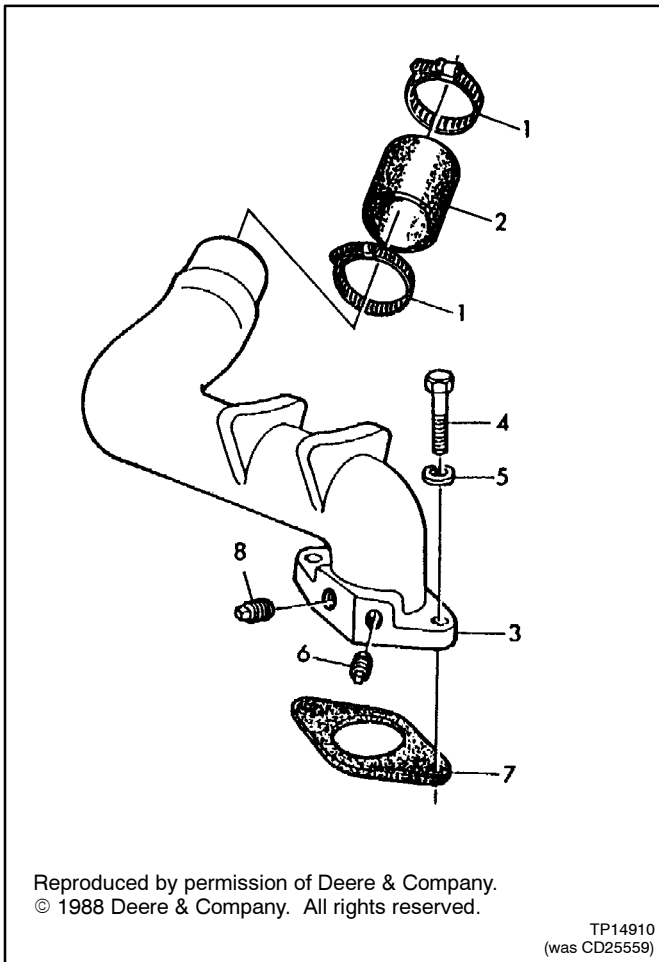
* These units used John Deere 4239TL engines on early model 50/60 kW (serial numbers below 257821) generator sets and John Deere 4039TL/CD4039TF engines on newer model 50/60 kW (serial number 257821 and above) generator sets. Check the generator set nameplate for the serial number and the engine nameplate for the engine model. Refer to Parts Catalog TP-5368 P/C John Deere 4239DL/TL if the generator set uses John Deere 4239TL engine.

Notes

Group 1: Air Intake



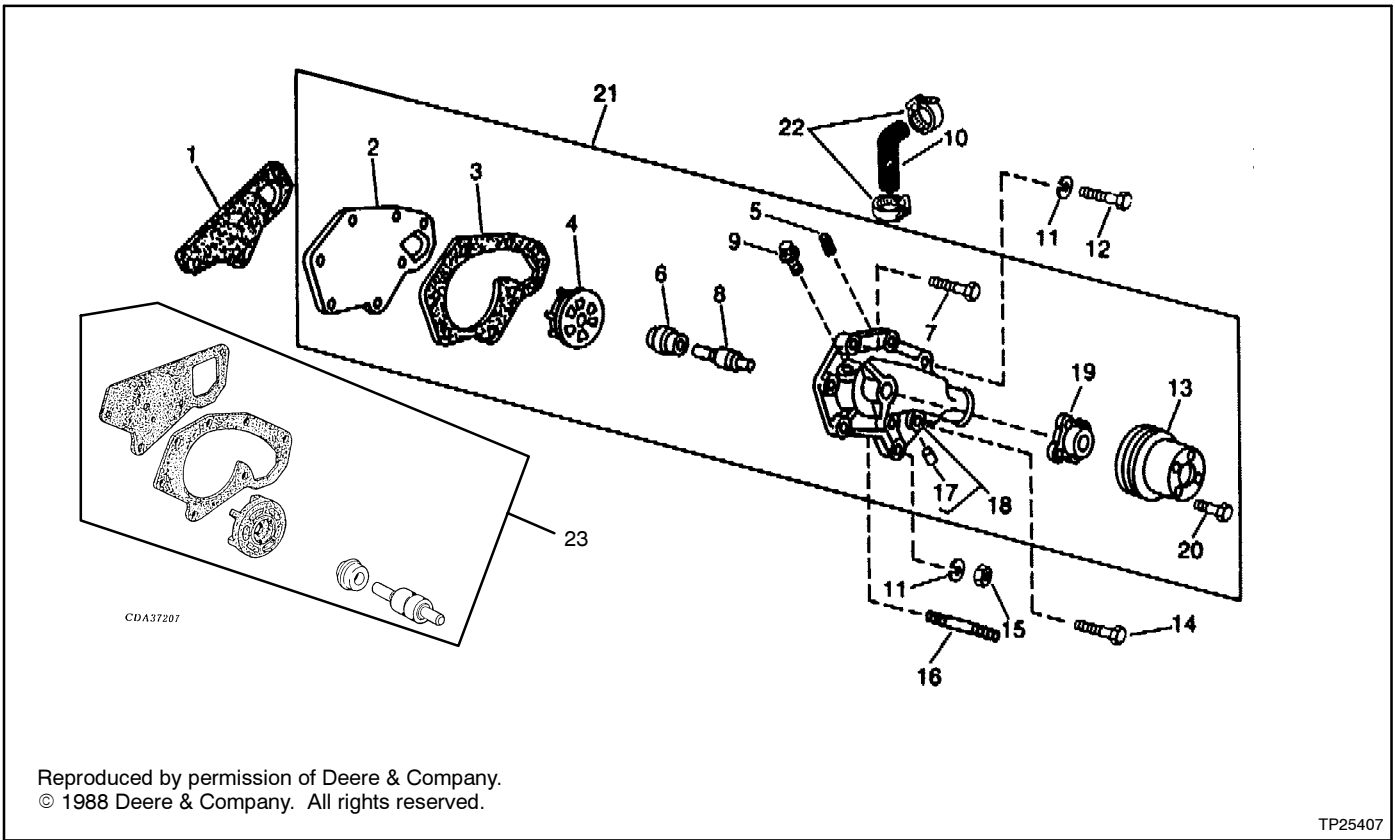
Item	Part Number	Description	Quantity	
			1	1705
1	#	Plug, 3/8 NPT pipe	1	
2	223532	Gasket	1	1
3	#	Washer, 3/8 in. lock	2	
4	#	Screw, 3/8-16 x 1 1/4 in. cap	2	
4	#	Screw, M10 x 35		2
5	223647	Elbow, air intake	1	
5	360545	Air Intake		1



Item	Part Number	Description	Quantity	
			2	1701
1	#	Clamp	2	2
2	#	Hose, 2 in. ID x 2 1/2 in.	2	
3	224152	Hose		4
3	223529	Duct, air	1	
3	360544	Air Intake		1
4	#	Screw, 3/8-16 x 1 1/4 in.	2	
4	#	Screw, M10 x 25		2
5	#	Washer, 3/8 lock	2	
6	#	Plug, 3/8 NPT	1	
6	#	Plug		1
7	223532	Gasket	1	1
8	#	Plug, 1/8 NPT pipe	1	

Common hardware; procure locally.

Group 2a: Water Pump



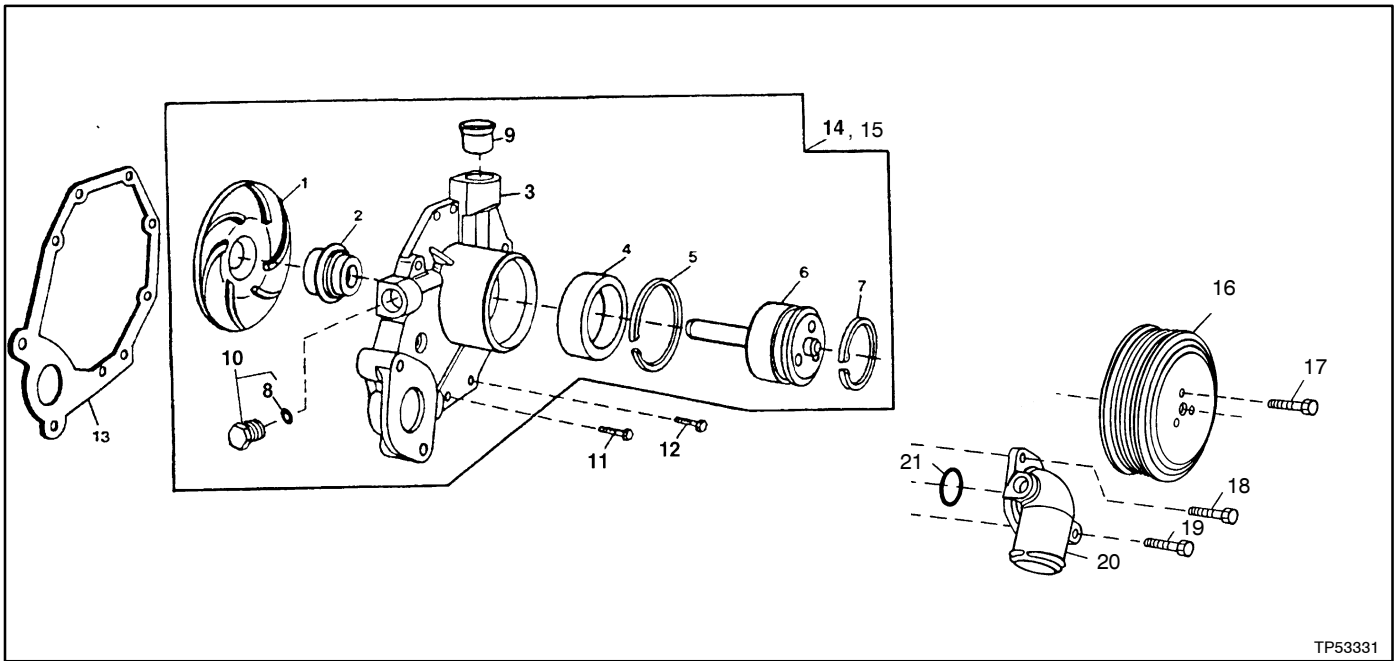
Reproduced by permission of Deere & Company.
 © 1988 Deere & Company. All rights reserved.

TP25407

Item	Part Number	Description	Quantity
			Variation Number
1	223628	Gasket	1
2	X	Cover	1
3	X	Gasket	1
4	X	Impeller	1
5	#	Plug, 1/2 in. pipe	1
6	X	Seal kit (w/insert tool)	2
7	#	Screw, 3/8-16 x 1 3/8 in.	1
8	X	Bearing, ball	1
9	X	Fitting, hose	1
10	223629	Hose	3
11	#	Washer, 3/8 in. lock	1
12	#	Screw, 3/8-16 x 3 1/2 in.	1
12	#	Screw, 3/8-16 x 2 in.	1
13	223659	Pulley	1
14	#	Screw, 3/8-16 x 3 1/4 in.	1
15	#	Nut, 3/8-16	1
16	224336	Stud	1
17	X	Tube	1
18	X	Pump, water	1
19	X	Hub	1
20	#	Screw, 5/16-18 x 7/8 in.	4
21	223433	Pump assembly, water	1
22	#	Clamp	2
23	336633	Water pump kit	1

Common hardware, procure locally.
 X Item not sold separately.

Group 2a: Water Pump



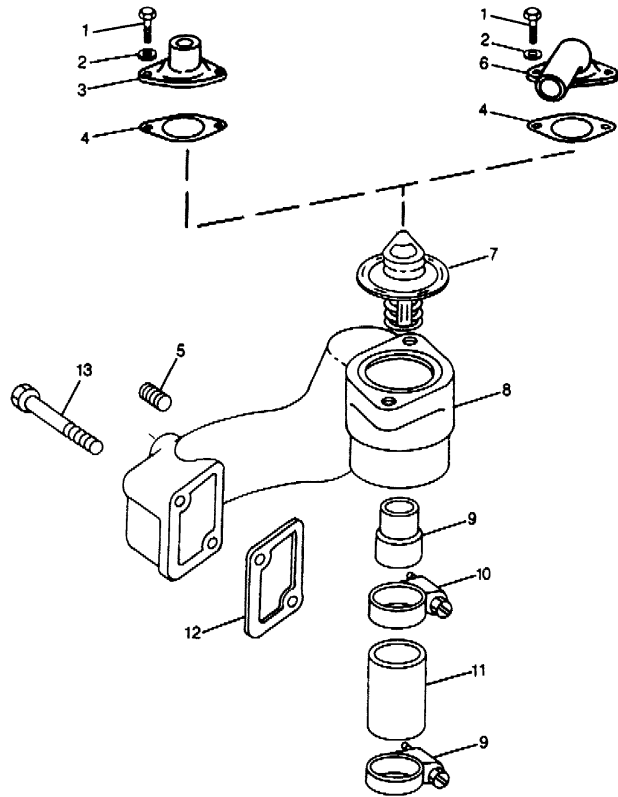
TP53331

Item	Part Number	Description	Quantity			
			Variation Number			
			4401	5702	2001	2002
1	X	Impeller	1			
2	X	Seal	1			
3	X	Housing	1			
4	X	Bearing, ball	1			
5	X	Ring	1			
6	X	Shaft	1			
7	360003	Ring, snap	1			
8	360176	O-ring	1			
9	360116	Seal	1			
10	360014	Plug	1			
11	#	Screw, M6 x 30	3			
12	#	Screw, M6 x 25	5			
13	360124	Gasket	1			
14	GM29383	Pump, water	1			
15	360061	Kit, water pump repair (includes items 1-7, 9)	1			
16	360085	Pulley, water pump			1	
16	360559	Pulley, water pump				1
17	#	Screw, M6 x 12			3	3
18	#	Screw, M8 x 25		1		
19	#	Screw, M8 x 65		1		
20	360109	Adapter, water pump		1		
21	224172	O-ring		1		

Common hardware, procure locally.

X Item not sold separately.

Group 2b: Thermostat



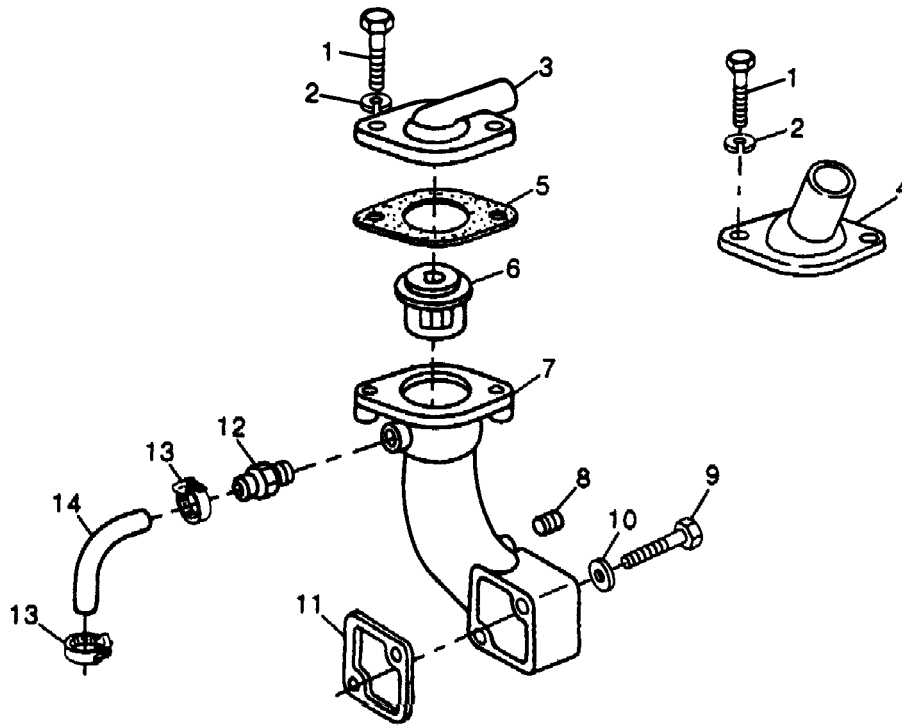
Reproduced by permission of Deere & Company.
© 1988 Deere & Company. All rights reserved.

TP26841

Item	Part Number	Description	Quantity	
			Variation Number 1	Variation Number 3
1	#	Screw, 3/8-16 x 1 1/4 in.	2	
1	#	Screw, 3/8-16 x 1 1/2 in.		2
2	#	Washer, plain, 13/32 x 11/16 x 0.060 in.	2	2
3	223635	Cover	1	
3	336444	Cover		1
4	223626	Gasket	1	
4	336445	Gasket		1
5	#	Plug, 1/2 NPT pipe	1	1
6	Not Used			
7	223676	Thermostat	1	1
8	224286	Housing	1	1
9	224275	Tube	1	1
10	#	Clamp, hose	2	2
11	224276	Hose	1	1
12	224020	Gasket, thermostat housing	1	1
13	#	Screw, 3/8-16 x 2 3/4 in.	2	2
13	#	Washer, lock, 3/8 in.	2	2

Common hardware, procure locally.

Group 2b: Thermostat



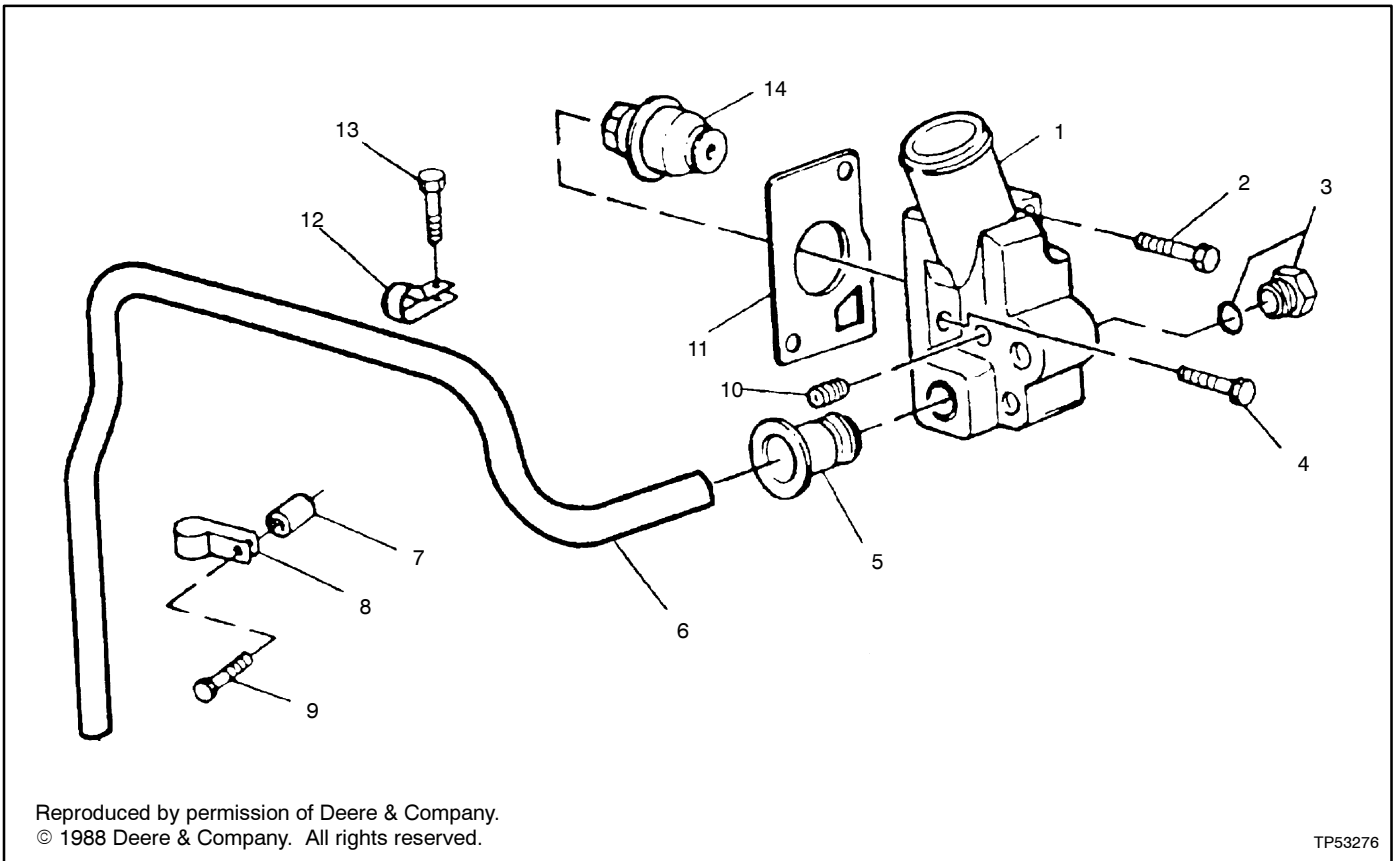
Reproduced by permission of Deere & Company.
© 1988 Deere & Company. All rights reserved.

TP26869

Item	Part Number	Description	Quantity	
			Variation Number 2	Variation Number 4
1	#	Screw, 3/8-16 x 1 1/4 in.	2	
1	#	Screw, 3/8-16 x 1 1/2 in.		2
2	#	Washer, 13/32 x 11/16 x .06 in.	2	2
3	Not Used			
4	223635	Cover	1	
4	336444	Cover		1
5	223626	Gasket	1	
5	336445	Gasket		1
6	223595	Thermostat	1	1
7	224350	Housing	1	1
8	#	Plug, 1/2 NPT pipe	1	1
9	#	Screw, 3/8-16 x 2 3/4 in. cap	2	2
10	#	Washer, 3/8 in. lock	2	2
11	224020	Gasket, thermostat housing	1	1
12	223605	Fitting, hose	1	1
13	#	Clamp	2	2
14	223629	Hose	1	1

Common hardware, procure locally.

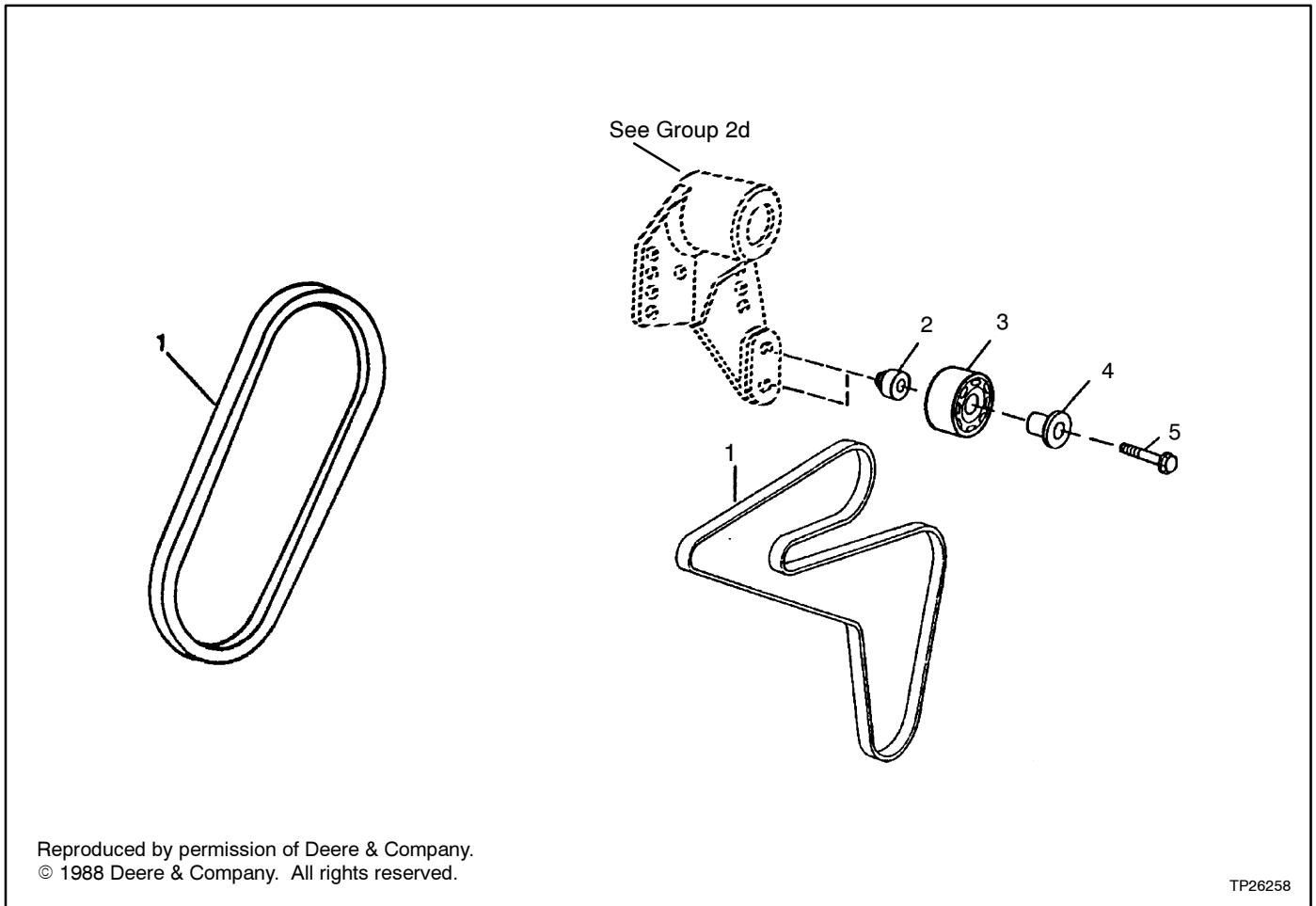
Group 2b: Thermostat, continued



Item	Part Number	Description	Quantity	
			Variation Number 2102	Variation Number 2112
1	360126	Cover, thermostat	1	1
2	#	Screw, M10 x 70	1	1
3	360013	Plug	1	1
4	#	Screw, M10 x 30	2	1
5	360116	Seal	1	1
6	360142	Tube	1	
6	GM23839	Tube		1
7	#	Washer, 0.423 x 0.675 x 3/8 in.	1	
8	360121	Clamp	1	1
9	#	Screw, M8 x 60	1	
10	#	Pipe Plug, 1/2 in.	3	3
11	360484	Gasket, thermostat cover	1	1
12	360120	Clamp	1	1
13	#	Screw, M8 x 60	1	
13	#	Screw, M12 x 25		1
14	223595	Thermostat	1	1

Common hardware, procure locally.

Group 2c: Fan Belt



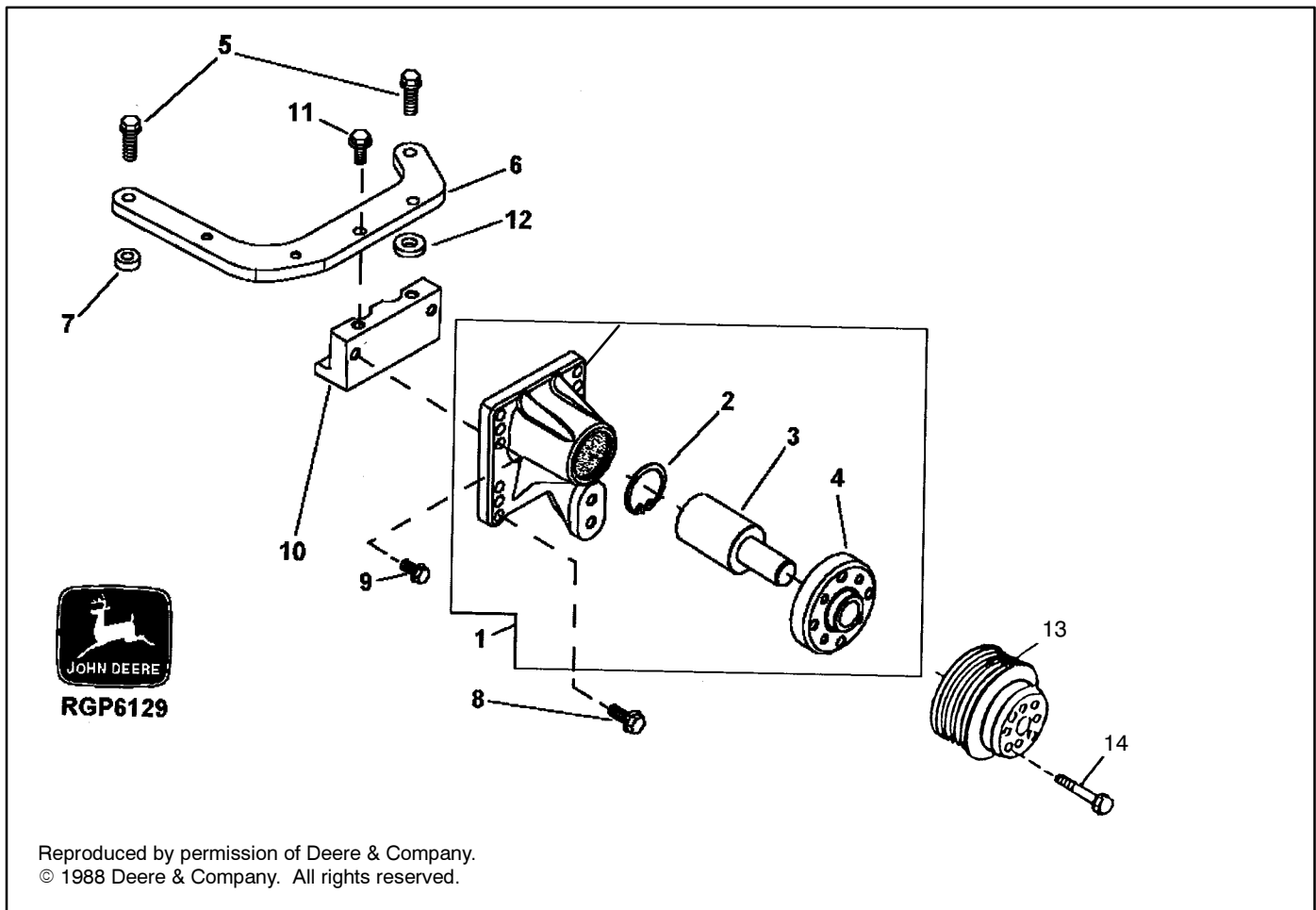
Reproduced by permission of Deere & Company.
 © 1988 Deere & Company. All rights reserved.

TP26258

Item	Part Number	Description	Quantity				
			Variation Number				
			1	2	2460	240B	240D
1	224263	Belt set (matched set of 2)	1				
1	223640	Belt, 11/16 x 49 1/2 in.		1			
1	360483	Belt, fan			1		
1	GM28308	Belt (1515 mm)				1	
1	GM23827	Belt (1545 mm)					1
2	360583	Spacer			1		
3	352836	Pulley			1		
4	360584	Sleeve			1		
5	#	Screw, M10 x 65			1		

Common hardware, procure locally.

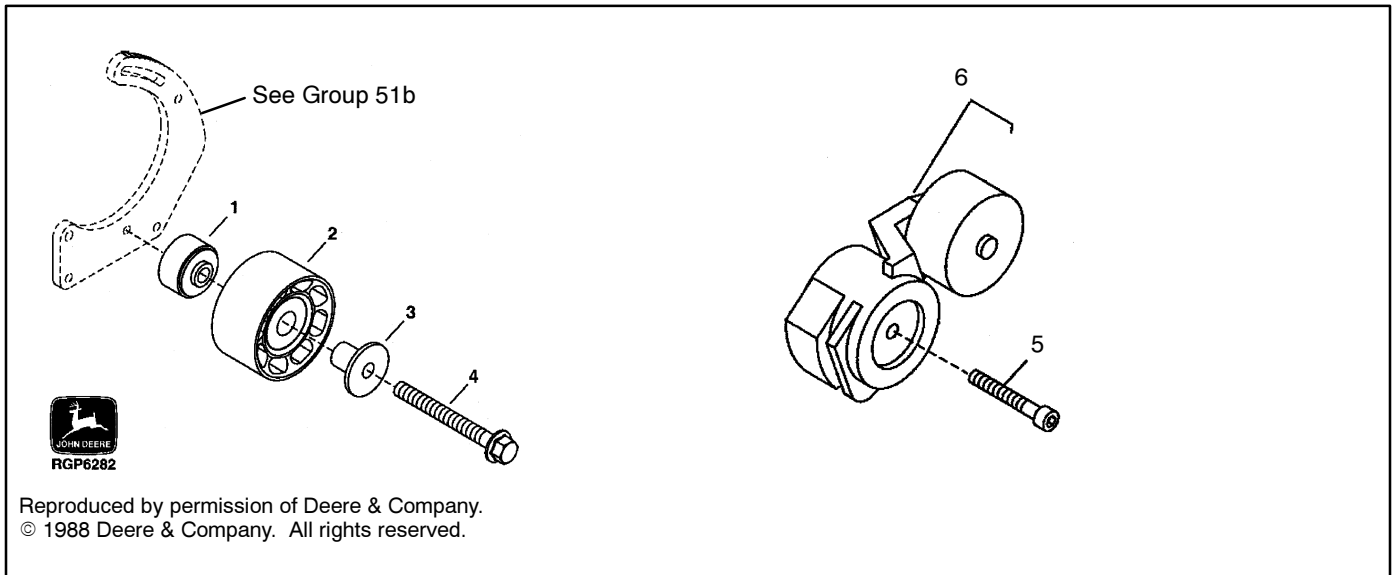
Group 2d: Fan Drive



Item	Part Number	Description	Quantity			
			Variation Number			
			2314	2301	8604	8605
1	GM23844	Support	1			
1	360030	Bearing housing		1		
2	223730	Ring, snap	1			
2	360005	Ring, snap		1		
3	X	Shaft	1			
3	360095	Bearing		1		
4	X	Hub	1			
4	360096	Hub		1		
5	#	Screw, M12 x 35	2			
6	GM23831	Bracket	1			
7	GM23826	Washer	1			
8	#	Screw, M10 x 35	4	4		
9	#	Screw, M10 x 20	2			
10	GM23830	Spacer	1			
11	#	Screw, M10 x 30	2			
12	GM23855	Washer	1			
13	360578	Pulley, fan			1	
13	360143	Pulley, fan				1
14	#	Screw			4	4

Common hardware, procure locally.
X Item not sold separately.

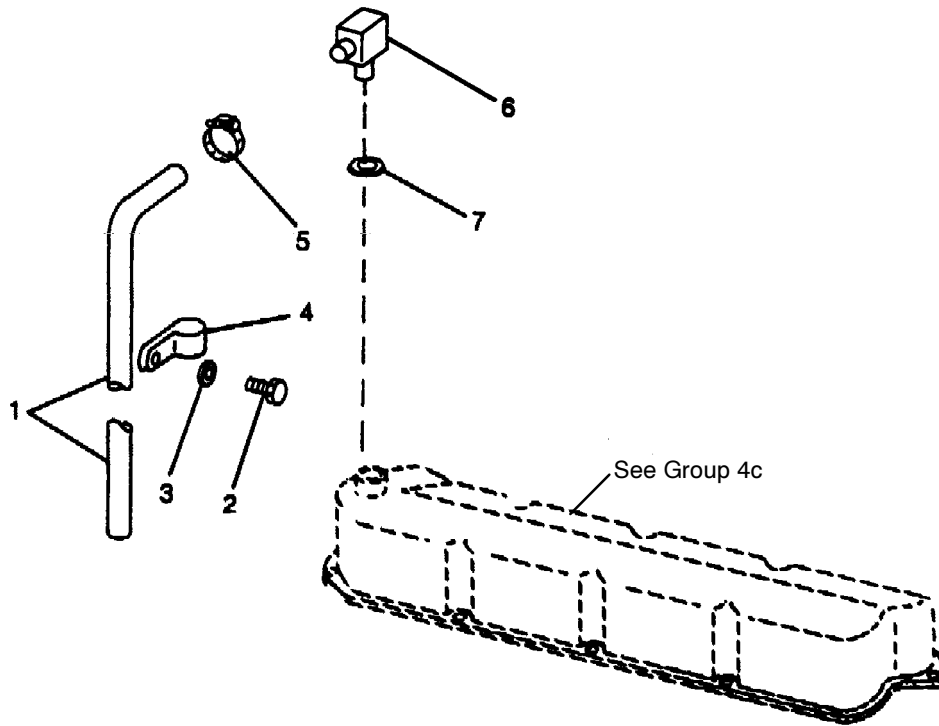
Group 2d: Fan Drive, continued



Item	Part Number	Description	Quantity	
			8701	8711
1	GM23835	Spacer		1
2	GM17529	Pulley		1
3	GM17488	Sleeve		1
4	#	Screw, M10 x 60		1
5	#	Screw	1	
6	360075	Bracket, tensioner	1	

Common hardware, procure locally.

Group 3: Vent Tube



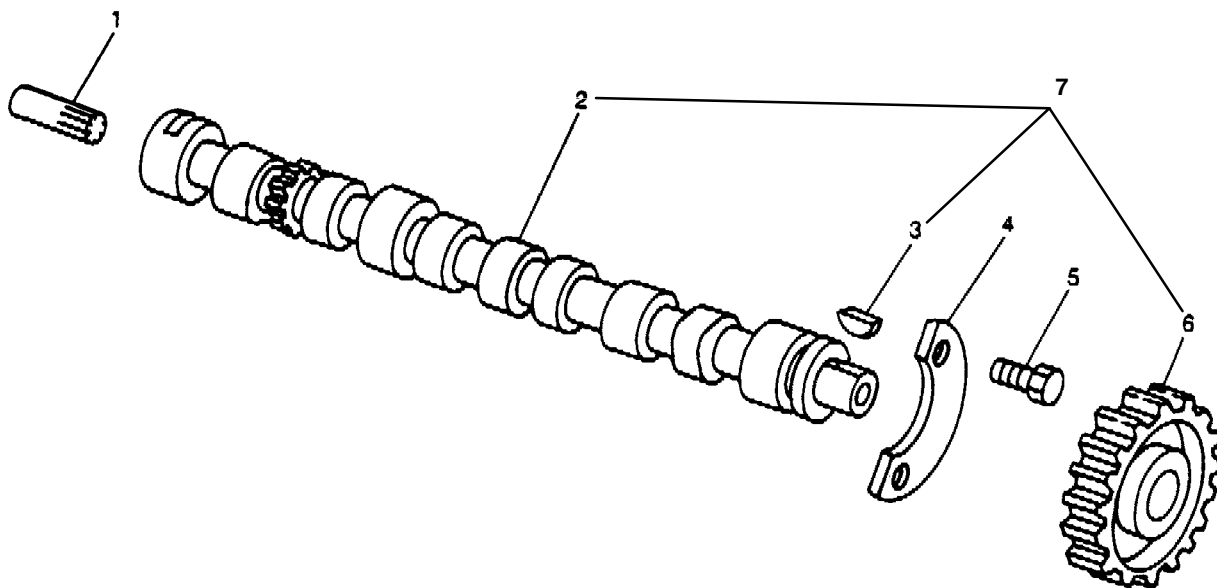
Reproduced by permission of Deere & Company.
 © 1988 Deere & Company. All rights reserved.

TP10829

Item	Part Number	Description	Quantity		
			1	2904	2915
1	223450	Hose	1		
1	224237	Hose		1	
1	GM17459	Hose			1
2	#	Screw, 3/8-16 x 7/8 in. cap	1		
2	#	Screw, M8 x 20		1	1
3	#	Washer, 13/32 x 11/16 x .06 in.	1		
3	#	Washer, lock, 3/8 in.	1		
4	#	Clamp	1	1	1
5	#	Clamp	1		
6	223551	Elbow, fitting	1		
6	360098	Elbow, fitting		1	1
7	223491	O-ring	1		
7	223851	O-ring		1	1

Common hardware, procure locally.

Group 4a: Camshaft



Note: Camshaft bushings/bearings are not used in this application.

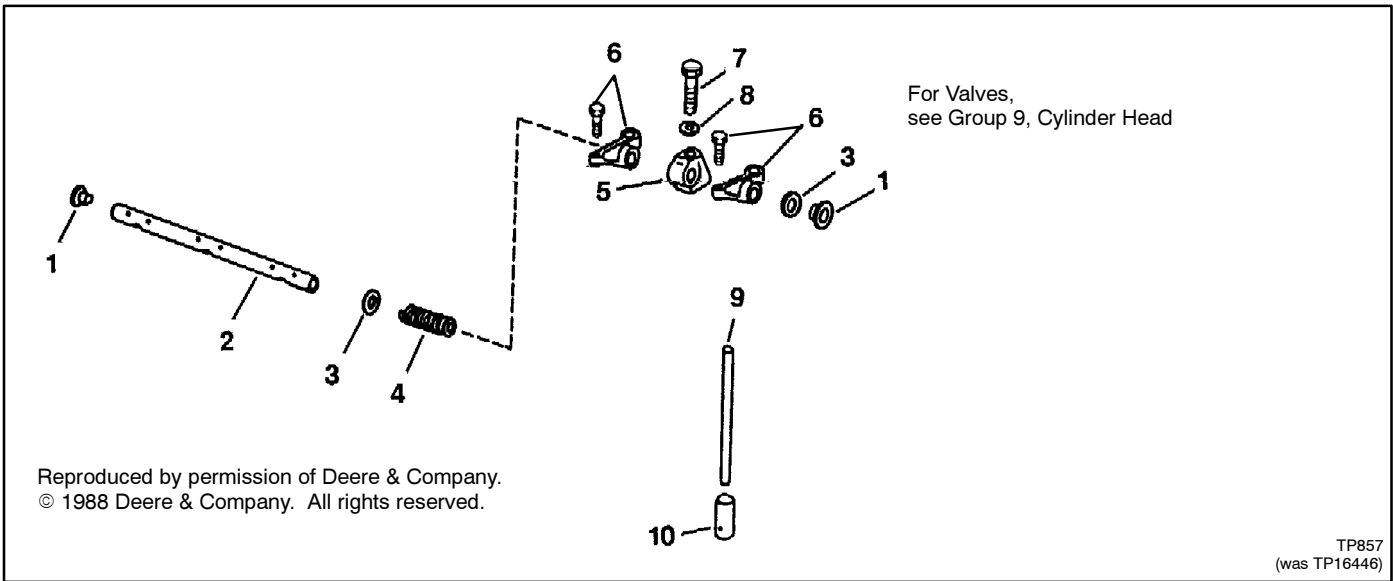
Reproduced by permission of Deere & Company.
© 1988 Deere & Company. All rights reserved.

TP14248

Item	Part Number	Description	Quantity		
			1	4601	4602
1	224242	Gear, 12 teeth	1		
2	223536	Camshaft (without gear)	1		
2	—	Camshaft (order item 7)		1	1
3	223564	Key, shaft	1		
3	360158	Key, shaft		1	1
4	223610	Plate, thrust	1		
5	#	Screw, 3/8-16 x 1 in. cap	1		
6	223609	Gear, 48 teeth	1		
6	—	Gear, 60 teeth (order item 7)		1	1
7	GM17530	Kit, camshaft and gear		1	1

Common hardware, procure locally.

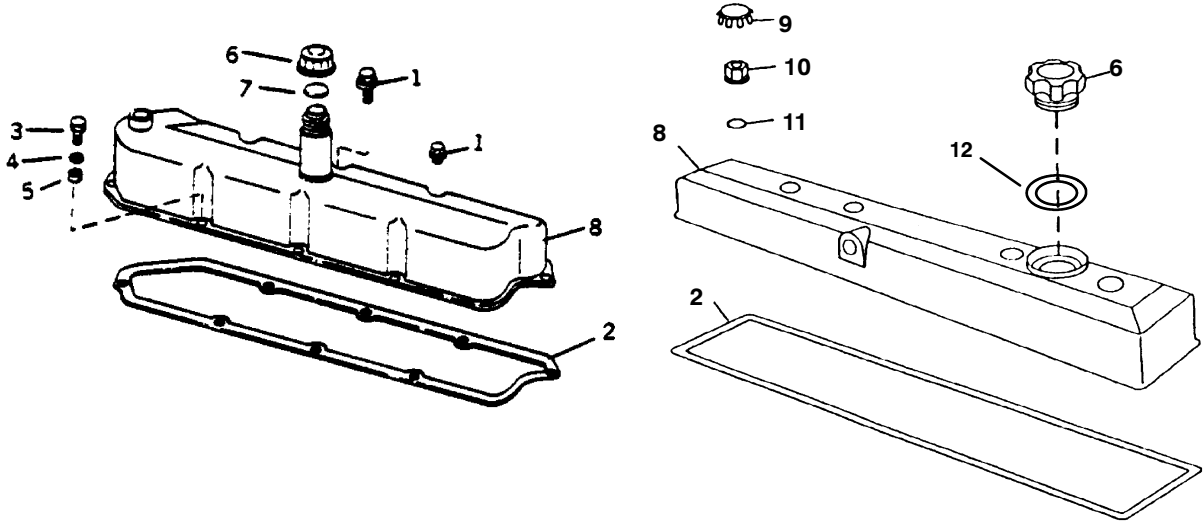
Group 4b: Valve Train



Item	Part Number	Description	Quantity		
			1	2	4901
1	223480	Plug	1	1	1
2	223481	Shaft	1	1	
2	360509	Shaft			1
3	223634	Washer	2	2	2
4	223632	Spring	3	3	3
5	223633	Support	4	4	
5	360112	Support			4
6	223592	Arm, rocker	8		
6	336456	Arm, rocker		8	
6	360072	Arm, rocker			8
6	#	Nut, M8 (not shown)			8
7	#	Screw, 3/8-16 x 2 1/2 in. cap	4	4	
7	360118	Stud			4
8	223756	Washer	4	4	4
9	223537	Rod, push	8		
9	336455	Rod, push		8	
9	352026	Rod, push			8
10	223611	Tappet	8	8	
10	360135	Tappet			8

Common hardware, procure locally.

Group 4c: Rocker Arm Cover



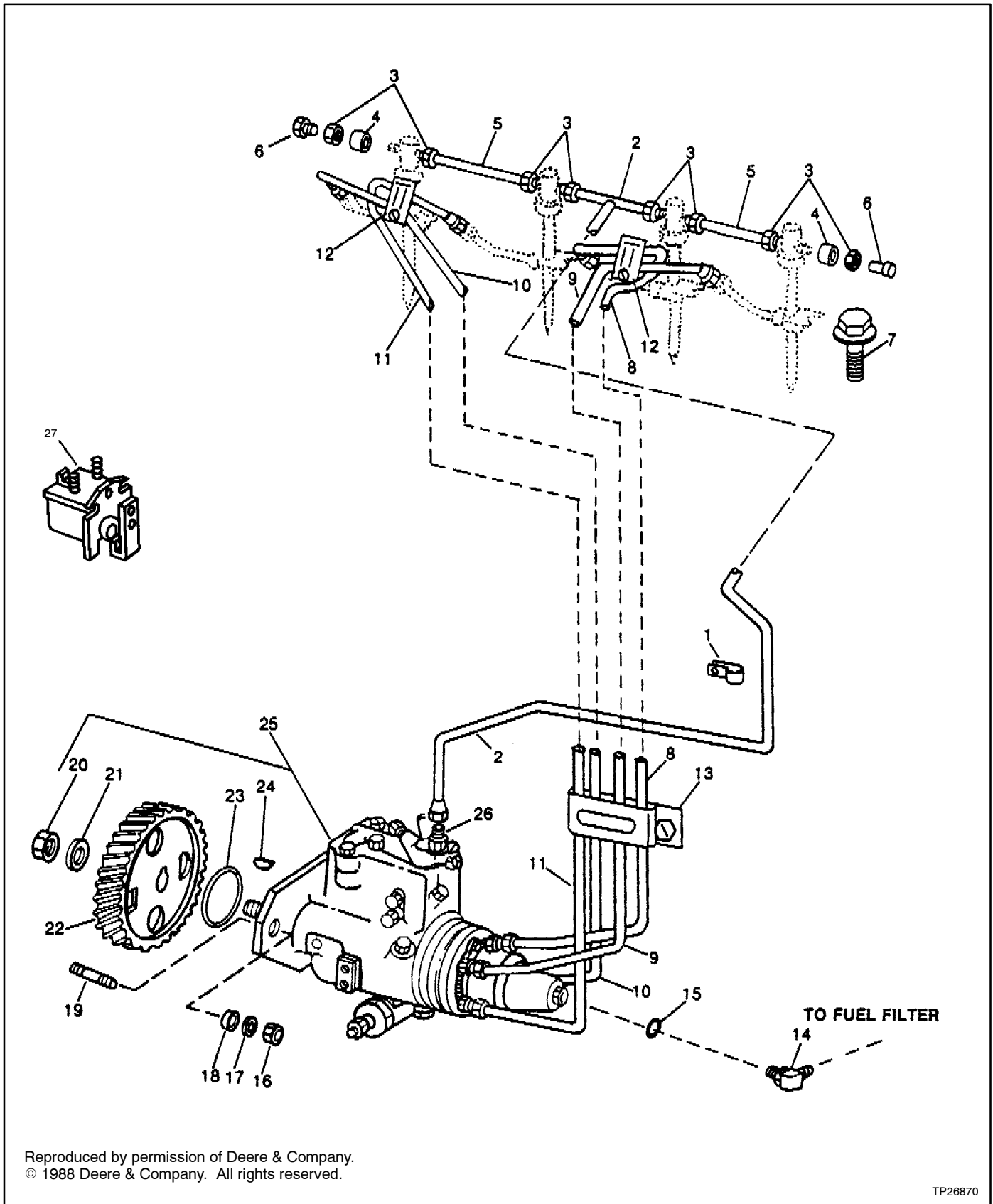
Reproduced by permission of Deere & Company.
© 1988 Deere & Company. All rights reserved.

T49114F

Item	Part Number	Description	Quantity		
			Variation Number 1	Variation Number 2	1101
1	#	Screw, w/washer	8	8	
2	223508	Gasket	1		
2	336434	Gasket		1	
2	360585	Gasket			1
3	#	Screw, 1/4-20 x 7/8 in.	1		
4	#	Washer, lock, 1/4 in.	1		
5	224278	Washer	1		
6	223630	Cap	1		
6	336435	Cap		1	
6	360018	Cap			1
7	223636	Gasket	1		
8	223444	Cover	1		
8	336433	Cover		1	
8	360507	Cover			1
9	360004	Plug		4	
10	360138	Nut		4	
11	360139	O-ring		4	
12	360508	Packing		1	

Common hardware, procure locally.

Group 5a: Fuel Injection Pump



Reproduced by permission of Deere & Company.
© 1988 Deere & Company. All rights reserved.

TP26870

Group 5a: Fuel Injection Pump, continued

Item	Part Number	Description	Quantity						
			Variation Number						
			1	2	3	1603	1674	1656	1677
1	223655	Clamp (clip)	1	1	1				
2	224262	Tube	1	1	1				
2	360035	Fuel line				1	1	1	1
3	223477	Nut (fitting)	8	8	8				
3	360141	Nut				7	7	7	7
4	223476	Packing	8	8					
5	223504	Tube	2	2					
5	360535	Tube				3	3	3	3
6	#	Rivet, 1/4 x 5/8 in.	2	2	2				
6	223710	Plug				1	1	1	1
7	224188	Screw, cap	4	4	4				
8	223576	Line, fuel no. 3	1	1					
8	336441	Line, fuel no. 3			1				
8	360538	Line, fuel no. 3				1	1	1	1
9	223577	Line, fuel no. 4	1	1					
9	336442	Line, fuel no. 4			1				
9	360539	Line, fuel no. 4				1	1	1	1
10	223574	Line, fuel no. 1	1	1					
10	336439	Line, fuel no. 1			1				
10	360536	Line, fuel no. 1				1	1	1	1
11	223575	Line, fuel no. 2	1	1					
11	336440	Line, fuel no. 2			1				
11	360537	Line, fuel no. 2				1	1	1	1
12	223572	Clamp	2	2	2	2	2	2	2
12	#	Screw, M6 x 10 cap	2	2	2	2	2	2	2
13	223573	Clamp	1	1	1	1	1	1	1
13	#	Screw, cap M6 x 10, full thread	1	1	1	1	1	1	1
14	222762	Elbow, fitting	1	1	1				
14	360037	Fitting				1	1	1	1
15	223456	O-ring	1	1	1				
15	360178	O-ring				1	1	1	1
16	#	Nut, 5/16-18	3	3	3				
16	#	Nut, M8				3	3	3	3
17	#	Washer, 5/16 in.	3	3	3	3	3	3	3
18	#	Washer, 11/32 x 11/16 x 1/16 in.	3	3	3				
18	224338	Washer				3	3	3	3
19	224335	Stud	3	3	3				
19	360092	Stud				3	3	3	3
20	224161	Nut	1	1	1	1	1	1	1
21	223471	Washer, lock	1	1	1	1	1	1	1
22	223540	Gear	1		1				
22	224238	Gear		1					
22	360153	Gear				1	1	1	1
23	224172	Ring	1	1	1				
24	223406	Shaft, key 5/32 x 5/8 in.	1	1	1	1	1	1	1
25	223578	Pump, fuel injection*	1						
25	352112	Pump, fuel injection†	1		1				
25	224329	Pump, fuel injection		1					
25	360540	Pump, fuel injection				1			
25	360541	Pump, fuel injection					1		
25	360542	Pump, fuel injection						1	
25	360543	Pump, fuel injection							1
26	223460	Fitting	1	1	1				
26	223820	Fitting				1	1	1	1
27	224367	Solenoid, fuel shutoff	1	1	1				

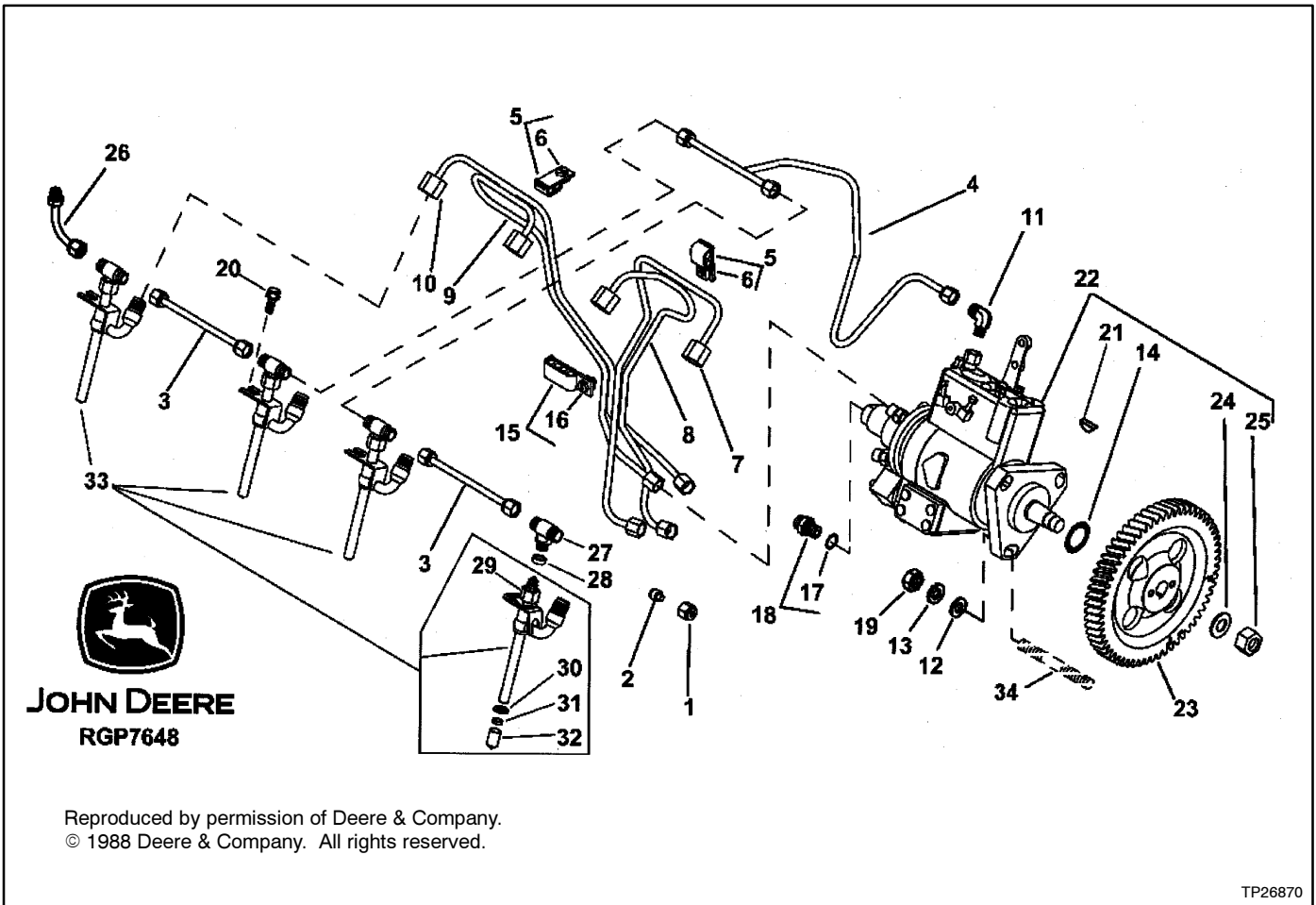
352115

Common hardware, procure locally.

* Variation 1, engine serial numbers 349266 and below.

† Variation 1, engine serial numbers 349267 and above.

Group 5a: Fuel Injection Pump, continued

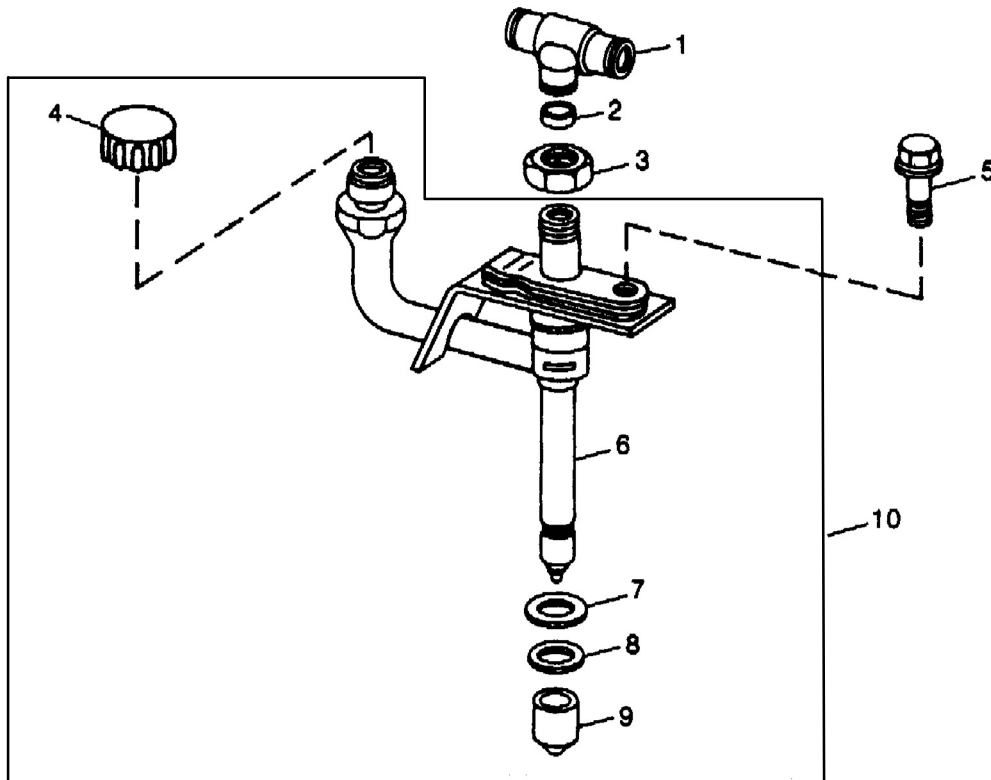


Group 5a: Fuel Injection Pump, continued

Item	Part Number	Description	Quantity							
			Variation Number							
			16GQ	16LV	16LZ	16MA	16MT	16MU	161C	161D
1	360141	Nut	2	2	2	2	2	2	2	2
2	223710	Plug	2	2	2	2	2	2	2	2
3	360535	Tube	2	2	2	2	2	2	2	2
4	GM17549	Fuel line	1	1	1	1	1	1	1	1
5	223572	Clamp	2	2	2	2	2	2	2	2
6	#	Screw, M6 x 12 cap	2	2	2	2	2	2	2	2
7	360536	Line, fuel no. 1	1	1	1	1	1	1	1	1
8	360537	Line, fuel no. 2	1	1	1	1	1	1	1	1
9	360538	Line, fuel no. 3	1	1	1	1	1	1	1	1
10	360539	Line, fuel no. 4	1	1	1	1	1	1	1	1
11	223837	Elbow, fitting	1	1	1	1	1	1	1	1
12	#	Washer, lock 8 mm	3	3	3	3	3	3	3	3
13	224338	Washer	3	3	3	3	3	3	3	3
14	GM17487	O-ring	1	1	1	1	1	1	1	1
15	223573	Clamp	1	1	1	1	1	1	1	1
16	#	Screw, M6 x 12 cap	1	1	1	1	1	1	1	1
17	360178	O-ring	1	1	1	1	1	1	1	1
18	360037	Fitting	1	1	1	1	1	1	1	1
19	#	Nut, M8	3	3	3	3	3	3	3	3
20	360091	Screw	4	4	4	4	4	4	4	4
21	—	Not applicable								
22	GM23843	Pump, fuel injection	1							
22	GM23847	Pump, fuel injection		1						
22	GM23846	Pump, fuel injection			1					
22	GM23848	Pump, fuel injection				1				
22	GM23845	Pump, fuel injection					1			
22	GM23849	Pump, fuel injection						1		
22	GM23851	Pump, fuel injection							1	
22	GM23852	Pump, fuel injection								1
23	360153	Gear	1	1	1	1	1	1	1	1
24	GM17456	Washer	1	1	1	1	1	1	1	1
25	224161	Nut	1	1	1	1	1	1	1	1
26	—	Not applicable								
27	360167	Fitting, tee	4	4	4	4	4	4	4	4
28	223518	Sleeve	4	4	4	4	4	4	4	4
29	See Group 5b	Nut, tube	1	1	1	1	1	1	1	1
30	See Group 5b	Packing	1	1	1	1	1	1	1	1
31	See Group 5b	Washer	1	1	1	1	1	1	1	1
32	See Group 5b	Plug	1	1	1	1	1	1	1	1
33	See Group 5b	Injection nozzle	4	4	4	4	4	4	4	4
34	—	Not applicable	3	3	3	3	3	3	3	3

Common hardware, procure locally.

Group 5b: Fuel Injection Nozzle



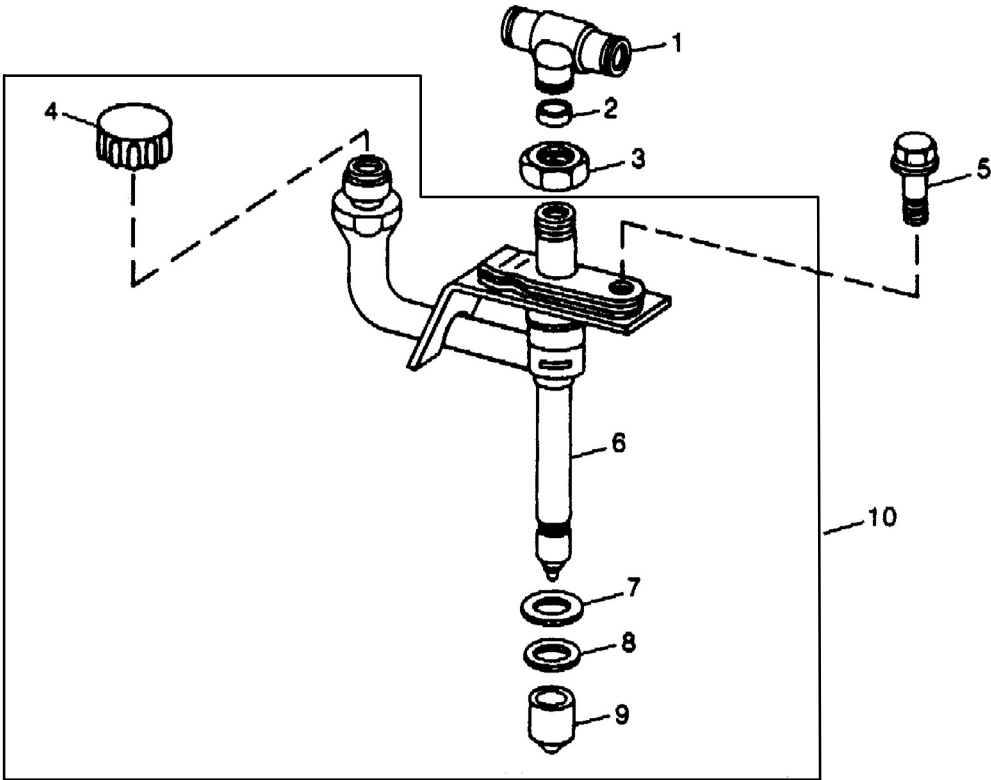
Reproduced by permission of Deere & Company.
 © 1988 Deere & Company. All rights reserved.

TP26862

Item	Part Number	Description	Quantity					
			Variation Number					
			1	2	1603	1674	1656	1677
1	223519	Fitting, tee	1	1				
1	360167	Fitting, tee			1	1	1	1
2	223518	Washer (sleeve)	1	1	1	1	1	1
3	223517	Nut	1	1	1	1	1	1
4	223660	Plug (use for servicing nozzle)	1	1				
5	224188	Screw, cap	1	1				
5	360091	Screw			1	1	1	1
6	X	Nozzle	1	1	1	1	1	1
7	224277	Washer	1					
7	224285	Packing		1	1	1	1	1
8	224270	Washer	1	1	1	1	1	1
9	X	Plug, plastic (protective shipping cover)	1	1	1	1	1	1
10	224299	Nozzle, injection	1					
10	224171	Nozzle, injection		1				
10	360485	Nozzle, injection			1	1		
10	360017	Nozzle, injection					1	1

X Item not sold separately.

Group 5b: Fuel Injection Nozzle, continued



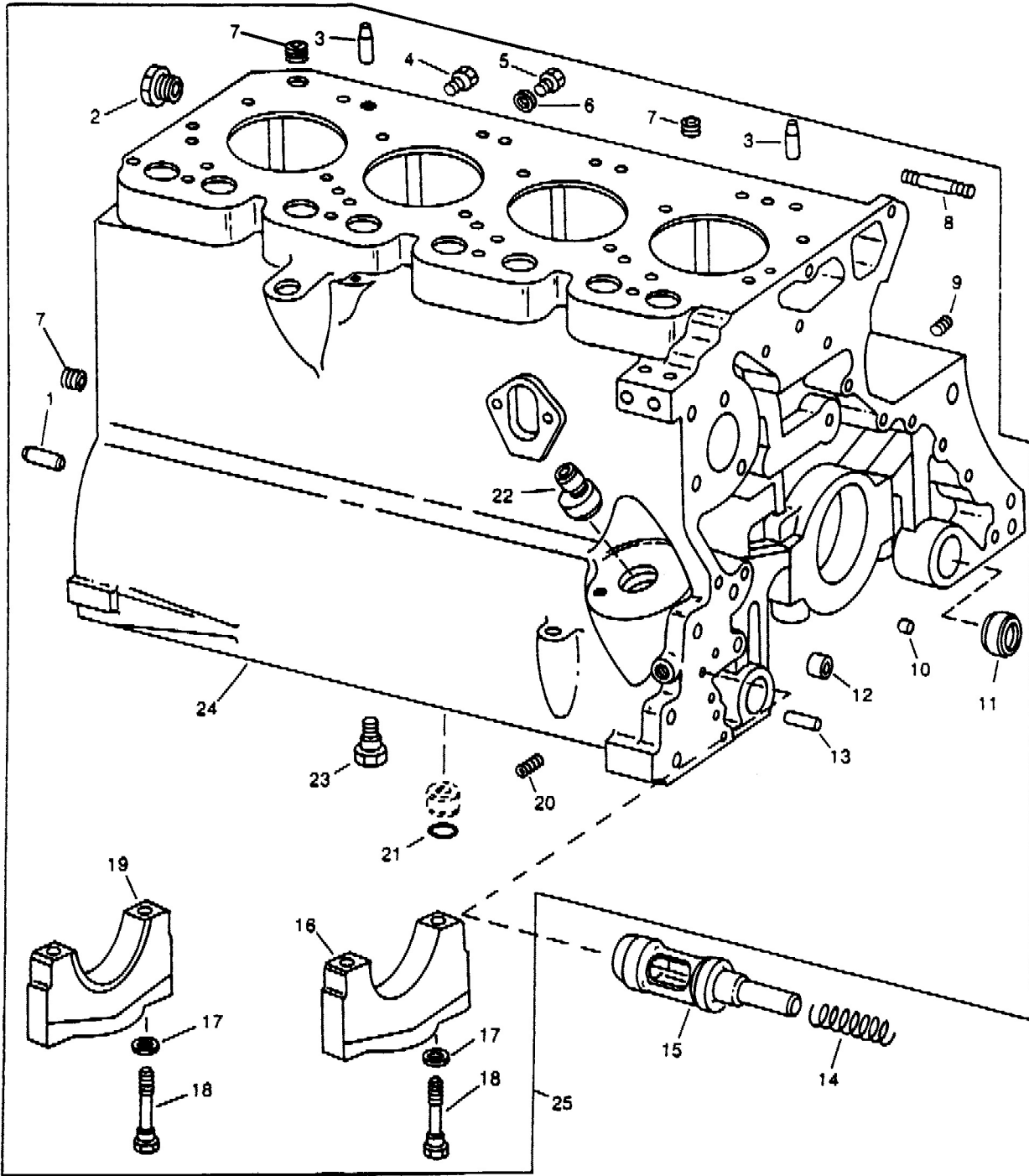
Reproduced by permission of Deere & Company.
 © 1988 Deere & Company. All rights reserved.

TP26862

Item	Part Number	Description	Quantity							
			Variation Number							
			16GQ	16LV	16LZ	16MA	16MT	16MU	161C	161D
1	360167	Fitting, tee	1	1	1	1	1	1	1	1
2	223518	Washer, sleeve	1	1	1	1	1	1	1	1
3	223517	Nut	1	1	1	1	1	1	1	1
4	—	Not applicable	1	1	1	1	1	1	1	1
5	360091	Screw	1	1	1	1	1	1	1	1
6	X	Nozzle	1	1	1	1	1	1	1	1
7	224285	Packing	1	1	1	1	1	1	1	1
8	GM17473	Washer	1	1	1	1	1	1	1	1
9	X	Plug, plastic (protective shipping cover)	1	1	1	1	1	1	1	1
10	360017	Nozzle, injection	1	1	1	1	1	1	1	1

X Item not sold separately.

Group 7: Cylinder Block



Reproduced by permission of Deere & Company.
© 1988 Deere & Company. All rights reserved.

TP26876

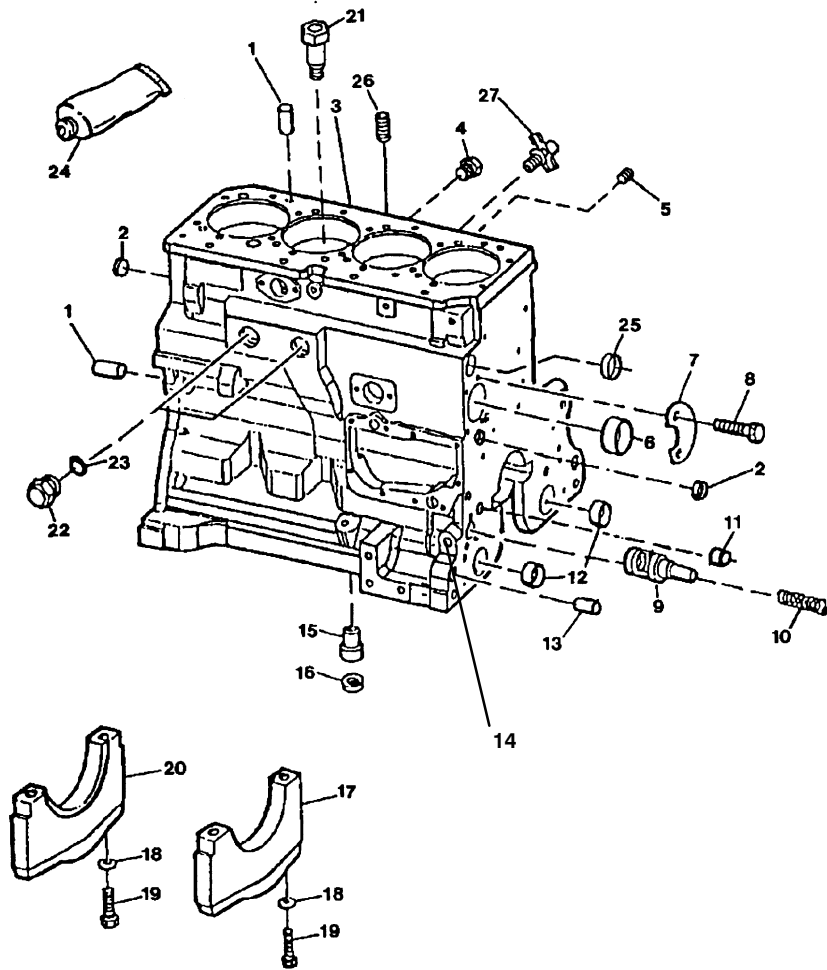
Group 7: Cylinder Block, continued

Item	Part Number	Description	Quantity		
			Variation Number		
			1	2	3
1	223472	Pin, dowel	2	2	2
2	#	Plug, pipe, 3/4 NPT, 3/8 in., recess. hex	1	1	1
3	223472	Pin, dowel	2	2	2
4	#	Plug, pipe, 1/4 NPT	1	1	1
5	223462	Plug, drain	1	1	1
6	223988	O-ring	1	1	1
7	#	Plug, pipe		3	
8	223662	Stud	2	2	2
9	#	Plug, pipe	5	5	5
10	#	Cap	1	1	1
11	223494	Bushing, standard	6	6	6
11	223550	Bushing, 0.078 in., oversize	6	6	6
12	X	Bushing	1	1	1
13	#	Pin, dowel	2	2	2
14	223465	Spring	1	1	1
15	223507	Valve	1	1	1
16	223503	Cap, bearing	4	4	4
17	#	Washer	10	10	10
18	223639	Screw, cap	10	10	10
19	223516	Cap, rear	1	1	1
20	#	Plug, pipe 3/8 square drive	1	1	1
21	223512	O-ring	1	1	
21	336458	O-ring			1
22	223638	Nipple, threaded	1	1	1
23	X	Orifice (w/piston cooling)	4	4	4
24	X	Block, cylinder, basic	1	1	1
25	See group 42	Block, cylinder	1	1	1

Common hardware, procure locally.

X Item not sold separately.

Group 7: Cylinder Block, continued



Reproduced by permission of Deere & Company.
© 1988 Deere & Company. All rights reserved.

TP55071

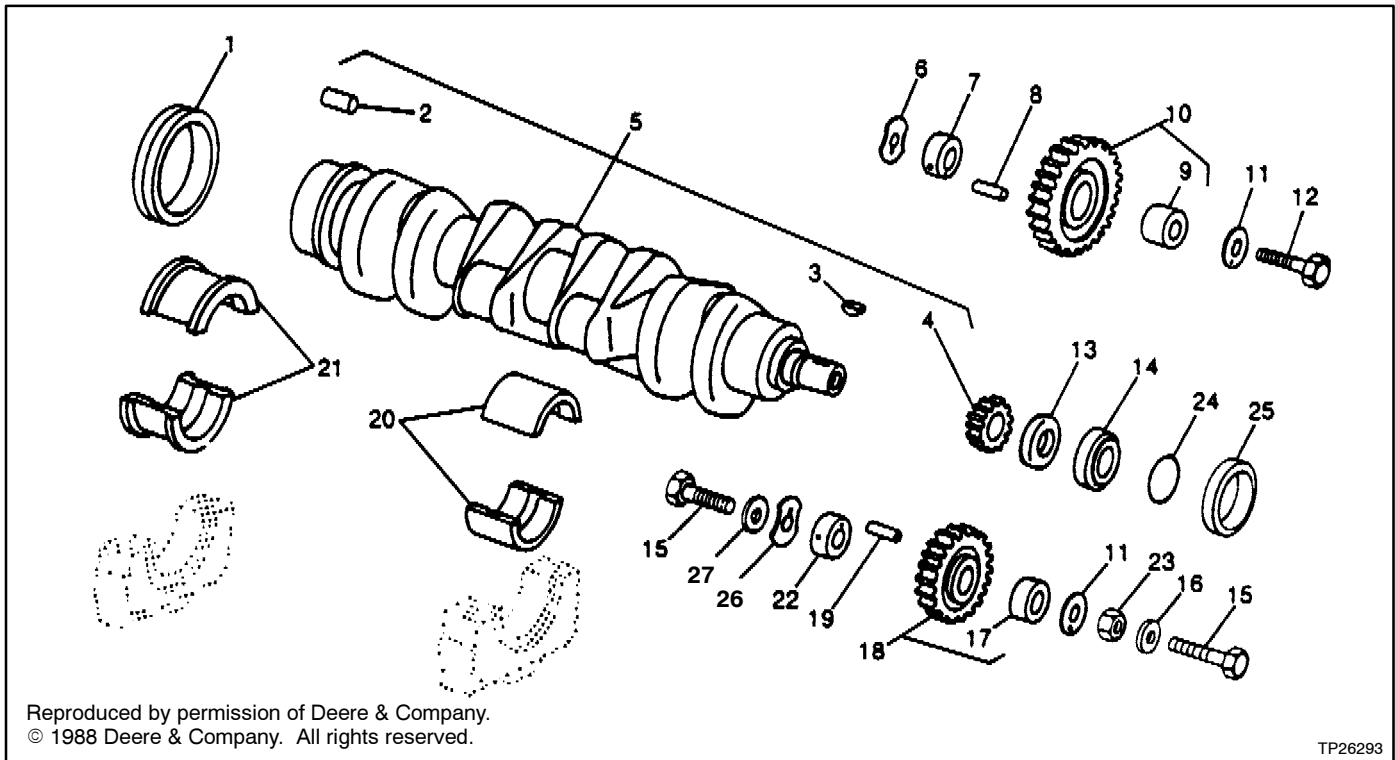
Group 7: Cylinder Block, continued

Item	Part Number	Description	Quantity	
			Variation Number	
			4601	4602
1	223472	Pin, dowel	2	2
2	#	Cap	2	2
3	X	Block, cylinder (order short block)	1	1
4	233802	Plug, pipe	1	1
5	224268	Plug, pipe	5	5
6	352246	Bushing, camshaft	1	1
7	360154	Plate	1	1
8	#	Screw, M8 x 25	2	2
9	360103	Valve, engine oil bypass	1	1
10	360080	Spring	1	1
11	360518	Bushing, oil pressure regulating	1	1
12	360519	Bushing, balancer shaft	6	6
13	352064	Pin, dowel	2	2
14	#	Plug, pipe	1	1
15	360087	Bushing	1	1
16	223512	O-ring	1	1
17	360084	Cap, bearing	4	4
18	224089	Washer	10	10
19	223639	Screw	10	10
20	360151	Cap, bearing	1	1
21	360146	Orifice	4	4
22	223462	Plug, drain	2	2
23	223988	O-ring	2	2
24	360173	Gasket (plastic gasket)	1	1
25	360093	Plug	1	1
26	#	Plug, pipe, 1/2 in.	1	1
27	223435	Plug, drain	1	1

Common hardware, procure locally.

X Item not sold separately.

Group 8a: Crankshaft

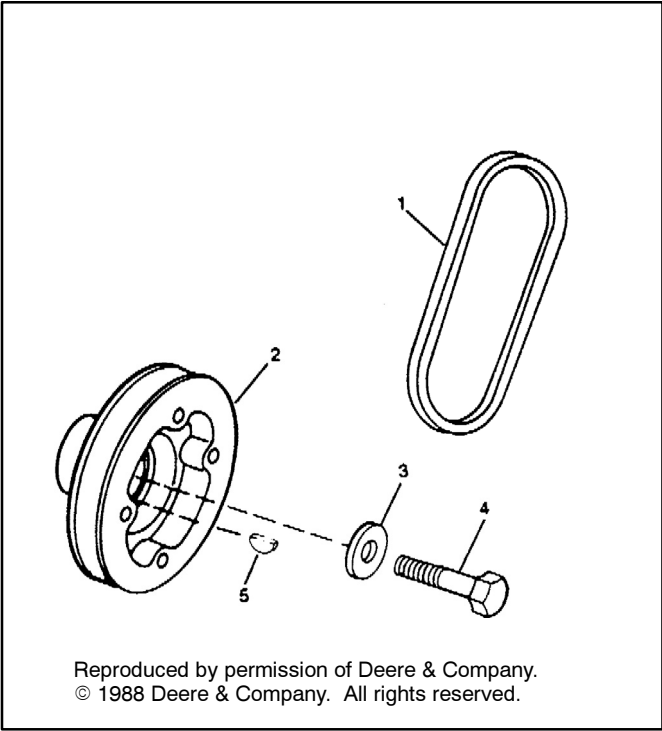


Item	Part Number	Description	Quantity		
			1	2	4701
1	223583	Seal, rear oil	1	1	1
2	223472	Pin, dowel	1	1	1
3	223407	Key, shaft, 1/8 x 5/8 in.	1	1	
3	360503	Key, shaft			1
4	223615	Gear, 24 teeth	1	1	
4	360099	Gear, 30 teeth			1
5	224292	Crankshaft	1	1	
5	360504	Crankshaft			1
6	223649	Washer, thrust, rear	1		
6	336446	Washer, thrust, rear		1	
7	224186	Pin (shaft)	1	1	
7	360101	Pin (shaft)			1
8	223408	Pin, spring 3/16 diameter x 1 in.	1		
8	360179	Pin			1
9	223606	Bushing	1	1	
10	223432	Gear, 55 teeth	1	1	
10	360020	Gear (w/bushing)			1
11	223651	Washer, thrust	2		
11	336447	Washer, thrust		2	
11	360147	Washer, thrust			2
12	223652	Screw	1	1	
12	#	Screw, M10 x 65			1
13	223607	Slinger, oil	1	1	
14	223422	Seal, front oil	1	1	1
15	224260	Screw	2	2	
15	#	Screw, M10 x 50			1
16	224267	Washer	1	1	
16	360148	Washer			1
17	223984	Bushing	1		
17	360082	Bushing			1

Item	Part Number	Description	Quantity		
			1	2	4701
18	223729	Gear, 45 teeth	1	1	
18	360021	Gear			1
19	#	Pin, spring, 3/16 x 1 1/8 in.	1		
20	223728	Bearing, standard (set of 2)	4	4	
20	360049	Bearing, standard (set of 2)			4
20	223719	Bearing, 0.05 mm (0.002 in.)	4	4	
20	223720	Bearing, 0.25 mm (0.010 in.)	4	4	
20	360055	Bearing, 0.25 mm (0.010 in.)			4
20	223721	Bearing, 0.51 mm (0.020 in.)	4	4	
20	223722	Bearing, 0.76 mm (0.030 in.)	4	4	
21	223727	Bearing, standard (set of 2)	1	1	
21	360050	Bearing, standard (set of 2)			1
21	223723	Bearing, 0.05 mm (0.002 in.)	1	1	
21	223724	Bearing, 0.25 mm (0.010 in.)	1	1	
21	360056	Bearing, 0.25 mm (0.010 in.)			1
21	223725	Bearing, 0.51 mm (0.020 in.)	1	1	
21	223726	Bearing, 0.76 mm (0.030 in.)	1	1	
22	224186	Pin (shaft)	1	1	
22	360083	Pin (shaft)			1
23	#	Nut, 1/2-20	1	1	
24	224007	Ring	1		
25	224056	Sleeve, wear ring	1		
25	360032	Sleeve			1
26	223649	Washer, thrust, rear	1		
26	336446	Washer, thrust, rear		1	1
27	224267	Washer	1	1	

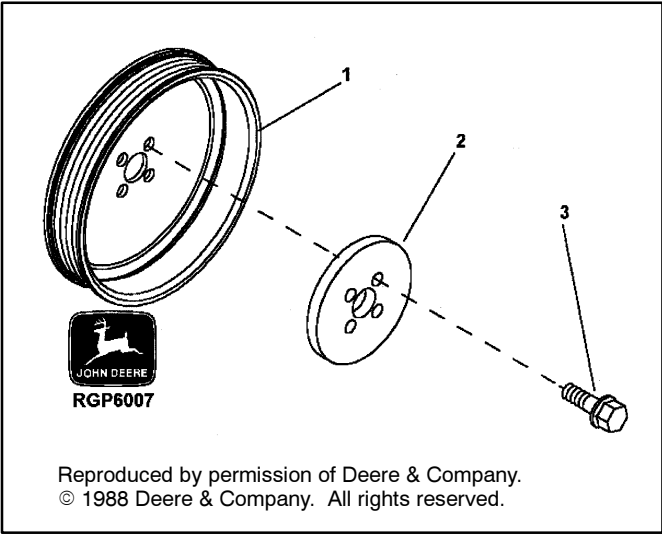
Common hardware, procure locally.

Group 8b: Crankshaft Pulley



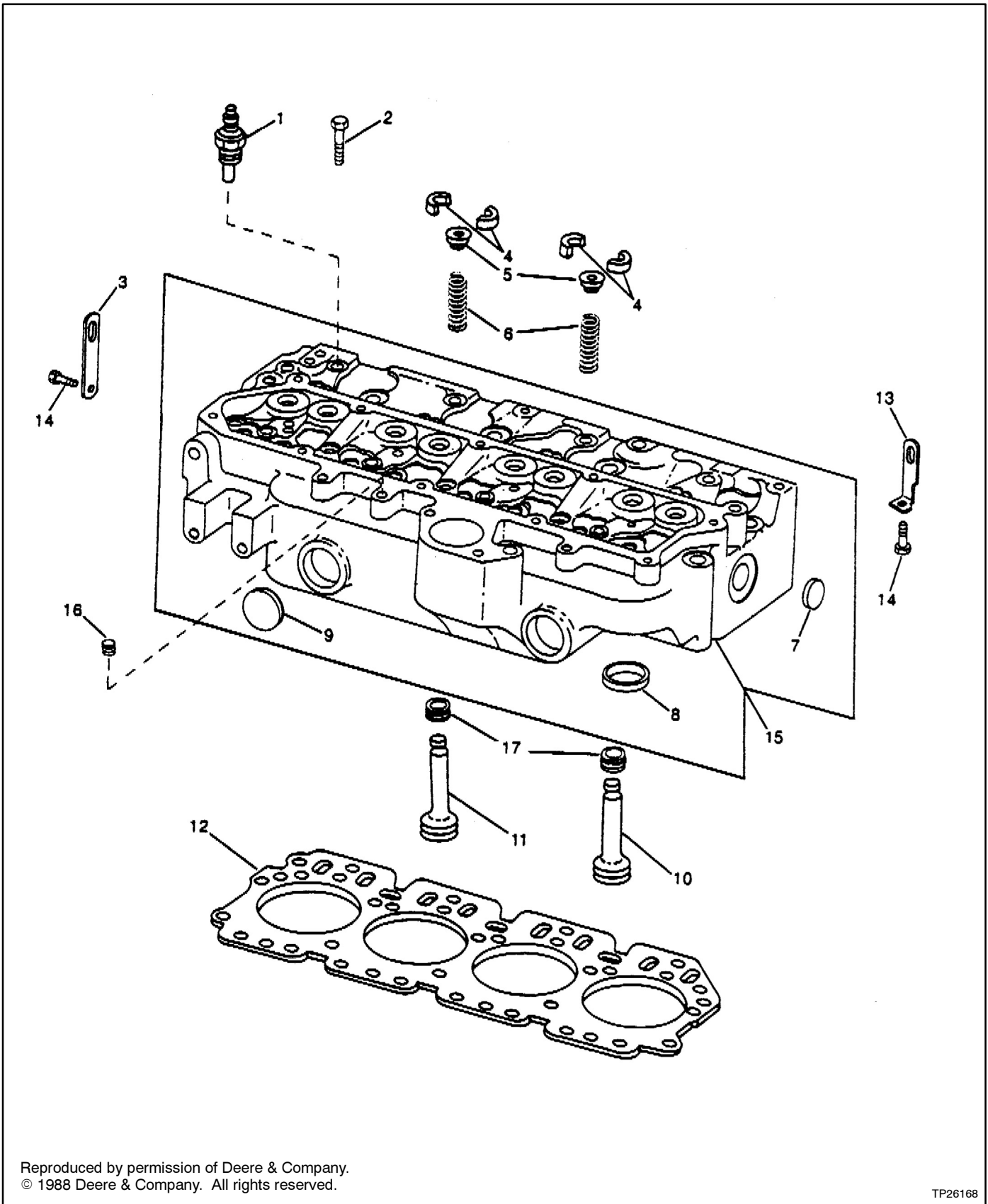
Item	Part Number	Description	Quantity			
			Variation Number			
			1	2	3	4
1	—	See Group 2c	1	1	1	1
2	224280	Pulley	1			
2	224281	Pulley		1		
2	336436	Pulley			1	
2	336437	Pulley				1
3	224265	Washer	1	1	1	1
4	223541	Screw, cap	1	1	1	1
5	224287	Key				

Common hardware, procure locally.



Item	Part Number	Description	Quantity	
			Variation Number	
			1301	1302
1	360157	Pulley	1	
1	360576	Pulley		1
2	GM17474	Flange	1	1
3	360111	Screw, cap, M10 x 50	4	4

Group 9: Cylinder Head



Reproduced by permission of Deere & Company.
© 1988 Deere & Company. All rights reserved.

TP26168

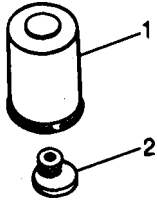
Group 9: Cylinder Head, continued

Item	Part Number	Description	Quantity		
			Variation Number		
			1	2	5102
1	Not Used	Sender, temperature			
2	224164	Screw	18	18	18
3	224337	Strap	1	1	
4	224184	Lock	18	18	18
5	224176	Rotator	8	8	8
6	223455	Spring	8	8	8
7	223409	Cap	2		
7	336459	Cap		2	
7	223448	Cap			1
8	224162	Insert, intake valve seat, standard	4	4	4
8	224289	Insert, intake valve seat, oversize	4	4	4
8	224166	Insert, exhaust valve seat, standard	4	4	4
8	224288	Insert, exhaust valve seat, oversize	4	4	4
9	224157	Cap	2	2	2
10	224156	Valve, exhaust, standard	4	4	4
10	224153	Valve, exhaust, 0.015 in. oversize	4	4	
10	224151	Valve, exhaust, 0.030 in. oversize	4	4	
11	224168	Valve, intake, standard	4	4	4
11	224193	Valve, intake, 0.015 in. oversize	4	4	
11	224197	Valve, intake, 0.030 in. oversize	4	4	
12	223530	Gasket, cylinder head	1	1	
12	360531	Gasket, cylinder head			1
13	224284	Strap	1	1	
14	#	Screw, 1/2 x 1 in.	2	2	
15	224295	Head, cylinder	1	1	
15	360532	Head, cylinder			1
16	224268	Plug, pipe	1	1	1
17	224243	Seal	8	8	8
17	224308	Seal, 0.015 in. oversize	8	8	
17	224309	Seal, 0.030 in. oversize	8	8	
18	360174	Fitting (not shown)			1

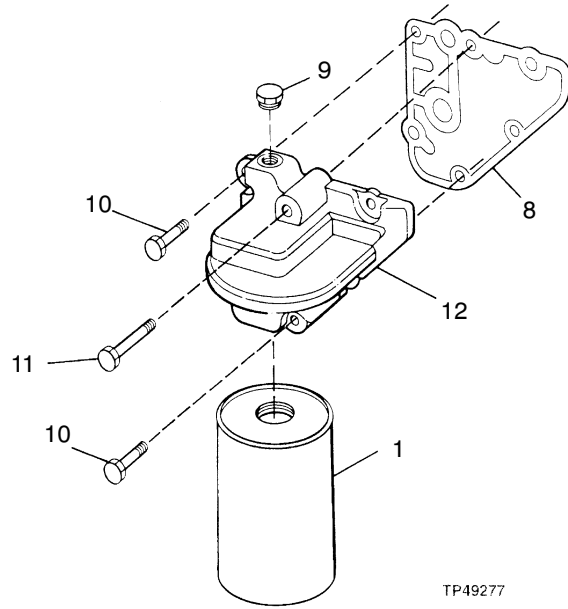
Common hardware, procure locally.

Group 10a: Oil Filter

Engine model 4039 only.



Engine model 4045 only.



TP49277

Reproduced by permission of Deere & Company.
 © 1988 Deere & Company. All rights reserved.

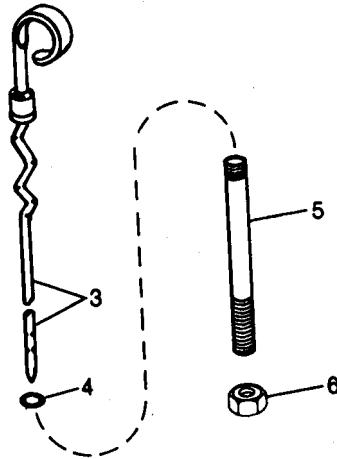
TP16416

Item	Part Number	Description	Quantity		
			Variation Number		
			1	2	8803
1	223604	Filter, oil	1	1	
1	360031	Filter, oil			1
2	223638	Nipple, threaded	1	1	
8	360133	Gasket			1
9	360016	Plug			2
10	#	Screw, M8 x 65			5
11	#	Screw, M8 x 20			1
12	360033	Adapter			1

Common hardware, procure locally.

Group 10b: Dipstick

Engine model 4039 only.



Use the Serial Number-Contingent Dipsticks table below and the engine model and serial number from the engine nameplate to verify the dipstick on 4039 engine models.

Reproduced by permission of Deere & Company.
© 1988 Deere & Company. All rights reserved.

TP16416

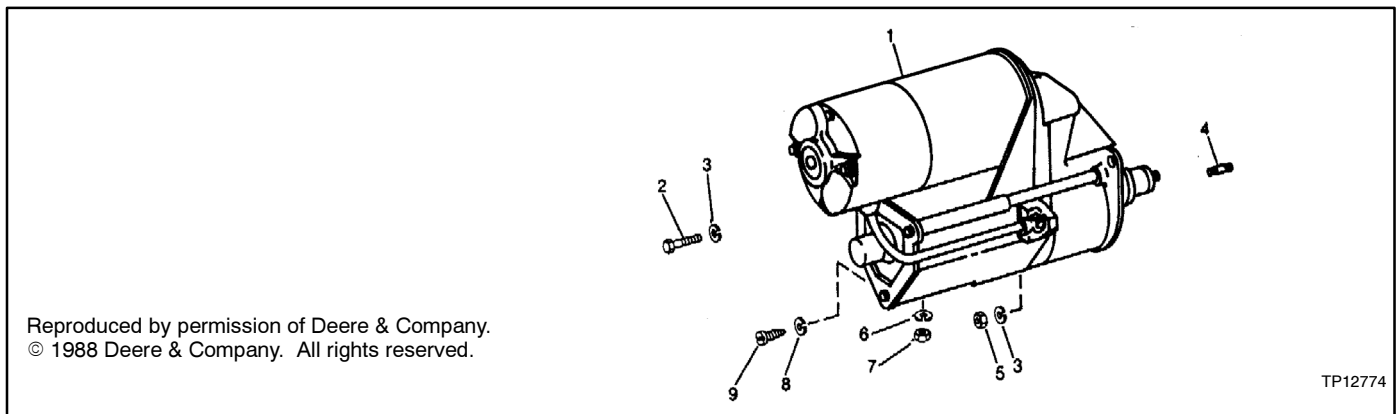
Item	Part Number	Description	Quantity		
			Variation Number		
			1	2	4002
3	See Table	Dipstick	1	1	1
4	223454	O-ring	1	1	
5	223502	Nipple, threaded (4039D)	1	1	
5	223542	Nipple, threaded (CD4039TF below 181857)		1	
5	336586	Guide (CD4039TF 181857 and above)		1	
5	360144	Tube, dipstick			1
6	#	Nut, 1/2 in.	1	1	
7	360522	Plug (not shown)			1

Common hardware, procure locally.

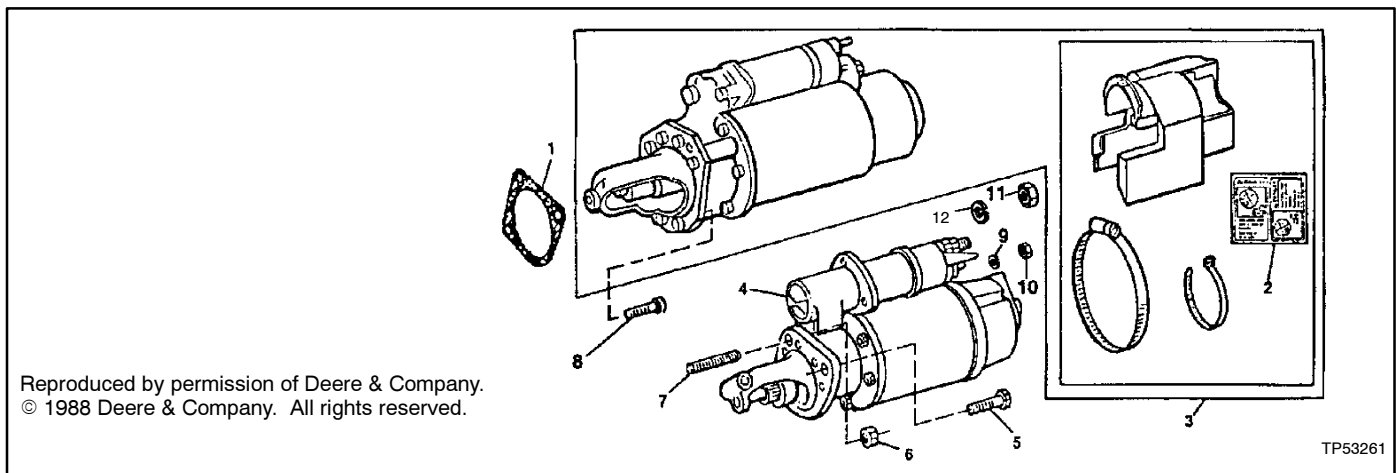
Serial Number-Contingent Dipsticks

Engine	Serial Number	Dipstick Part Number
4039D	3xxxxx	223429
CD4039DF	Below 181857	336449
CD4039DF	181857 and above	223443
4039T	3xxxxx	223429
CD4039TF	1xxxxx	223443
4045	All	360073

Group 11a: Starter Motor



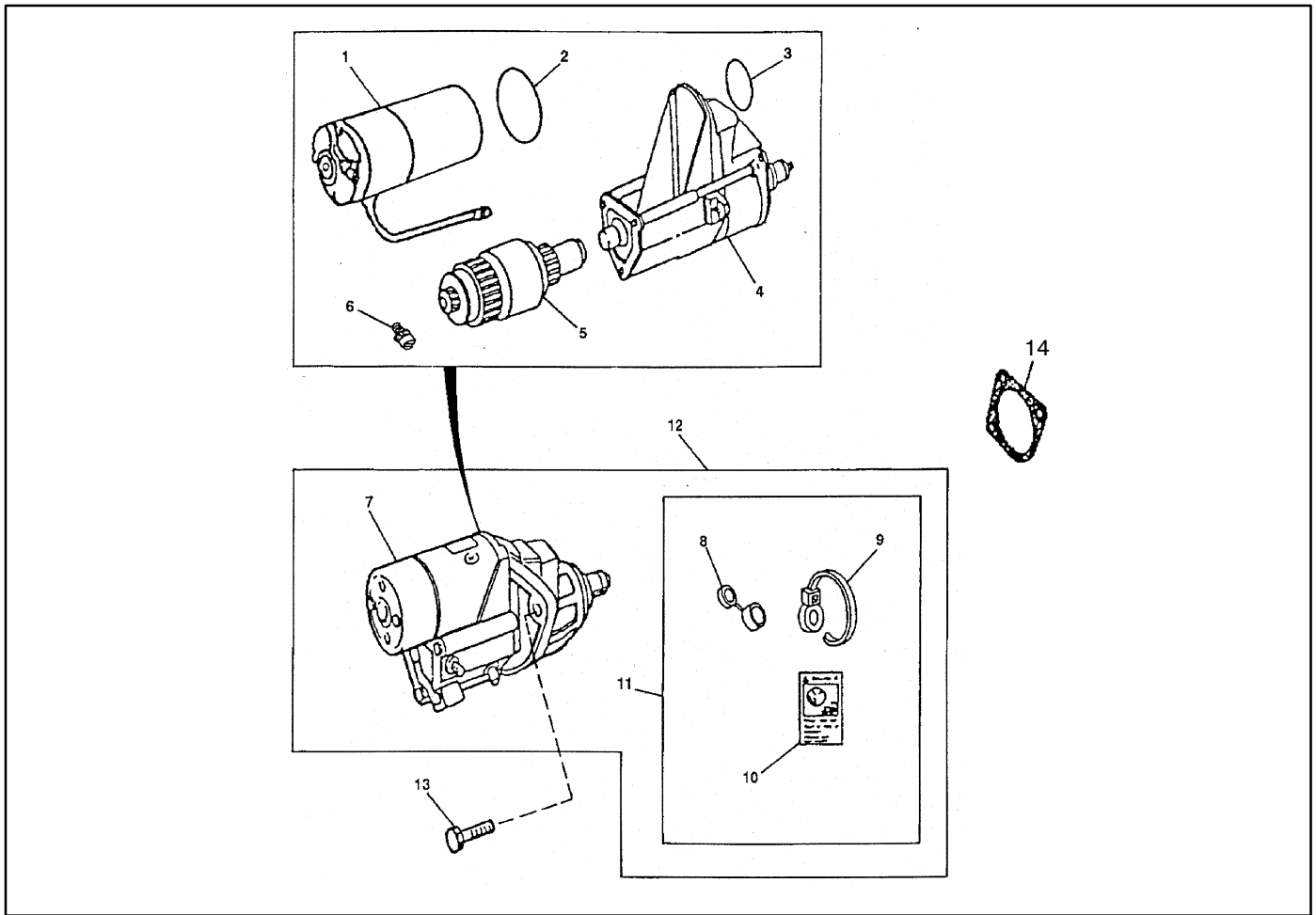
Item	Part Number	Description	Quantity	
			Variation Number	1
1	224327	Kit, starter motor Kit (includes starter and cover kit)		1
2	#	Screw, cap, 3/8-16 x 1 1/4 in.		2
3	#	Washer, 3/8 in. lock		1
4	224264	Stud		1
5	#	Nut, 3/8-16		1
6	#	Washer, M10 lock		1
7	#	Nut, M10		1
8	#	Washer, M5 lock		1
9	#	Screw, M5 x 10		1



Item	Part Number	Description	Quantity	
			Variation Number	3004
1	223791	Gasket	1	1
2	X	Label	1	1
3	360564	Motor, starting	1	1
3	360469	Motor, starting (24 V)		1
4	#	Use Item 3	1	1
5	#	Screw, M10 x 30	1	1
6	#	Nut, flange, M10	1	1
7	#	Stud	1	1
8	#	Screw	1	1
9	#	Washer, lock	1	1
10	#	Nut	1	1
11	#	Nut	1	1
12	#	Washer, lock	1	1

Common hardware, procure locally.
X Item not sold separately.

Group 11a: Starter Motor, continued

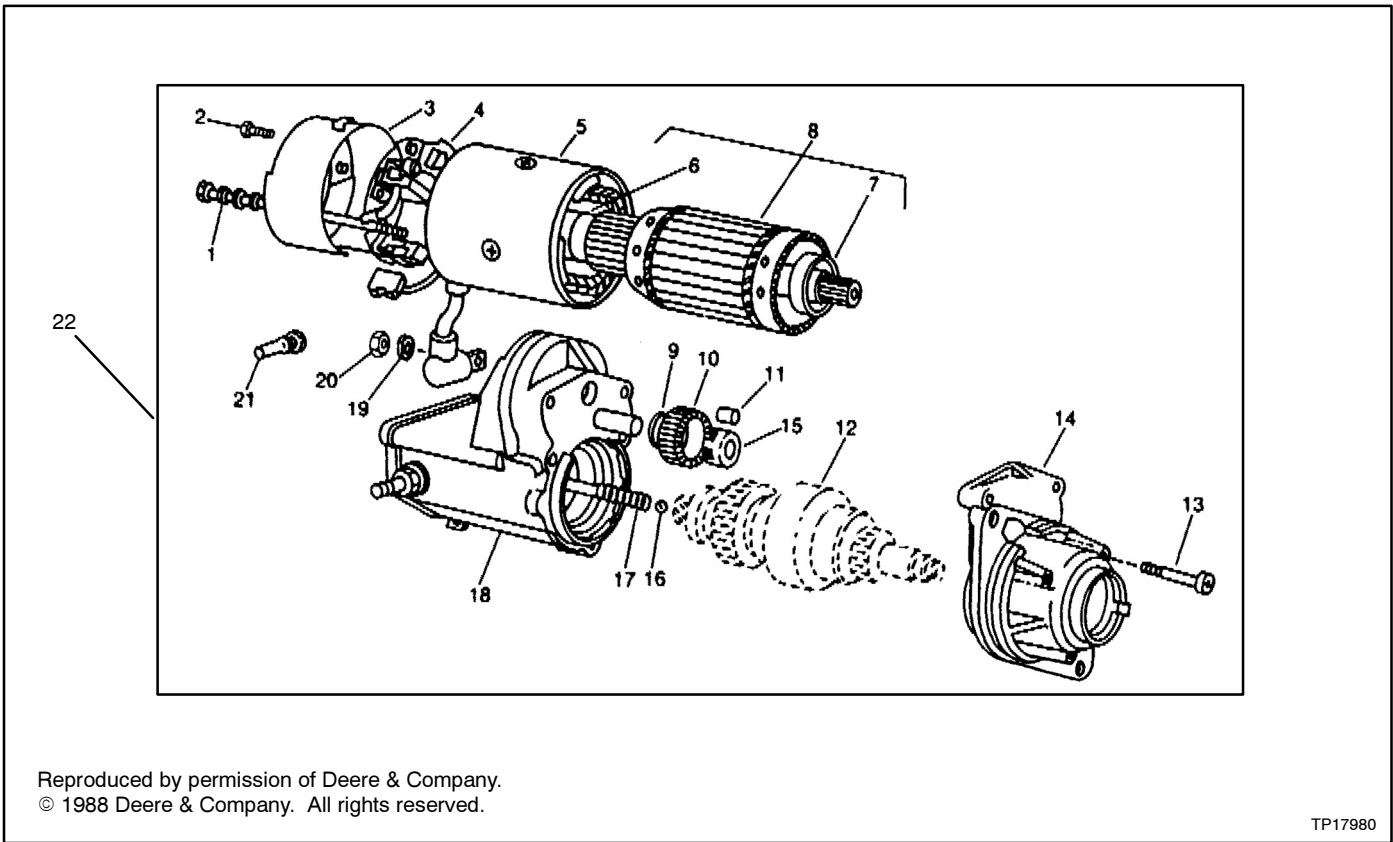


Item	Part Number	Description	Quantity			
			Variation Number			
			3001	3005	3006	3041
1	X	Solenoid, motor			1	1
2	GM17463	Seal	1		1	1
2	GM29783	Seal		1		
3	GM17464	O-ring	1		1	1
4	GM29781	Switch	1			
4	GM29784	Switch		1		
4	GM17544	Switch			1	
4	GM17546	Switch				1
5	GM17545	Clutch	1		1	
5	GM29785	Clutch		1		
5	GM17547	Clutch				1
6	GM18874	Screw with washer, M5 x 0.8	1		1	1
7	X	Motor, starter			1	1
7	GM23699	Motor, starter 12 V		1		
8	X	Cover			1	1
9	GM17495	Band, tie	1		1	1
10	GM17554	Label	1	1	1	1
11	GM17548	Kit, solenoid	1		1	1
12	GM29782	Kit, starter motor, 24 V	1			
12	GM23699	Kit, starter motor, 12 V		1		
12	352390	Kit, starter motor, 12 V			1	
12	GM16801	Kit, starter motor, 24 V				1
13	#	Screw, M10 x 30	3	3	3	3
14	223791	Gasket		1		

Common hardware; procure locally.

X Item not sold separately.

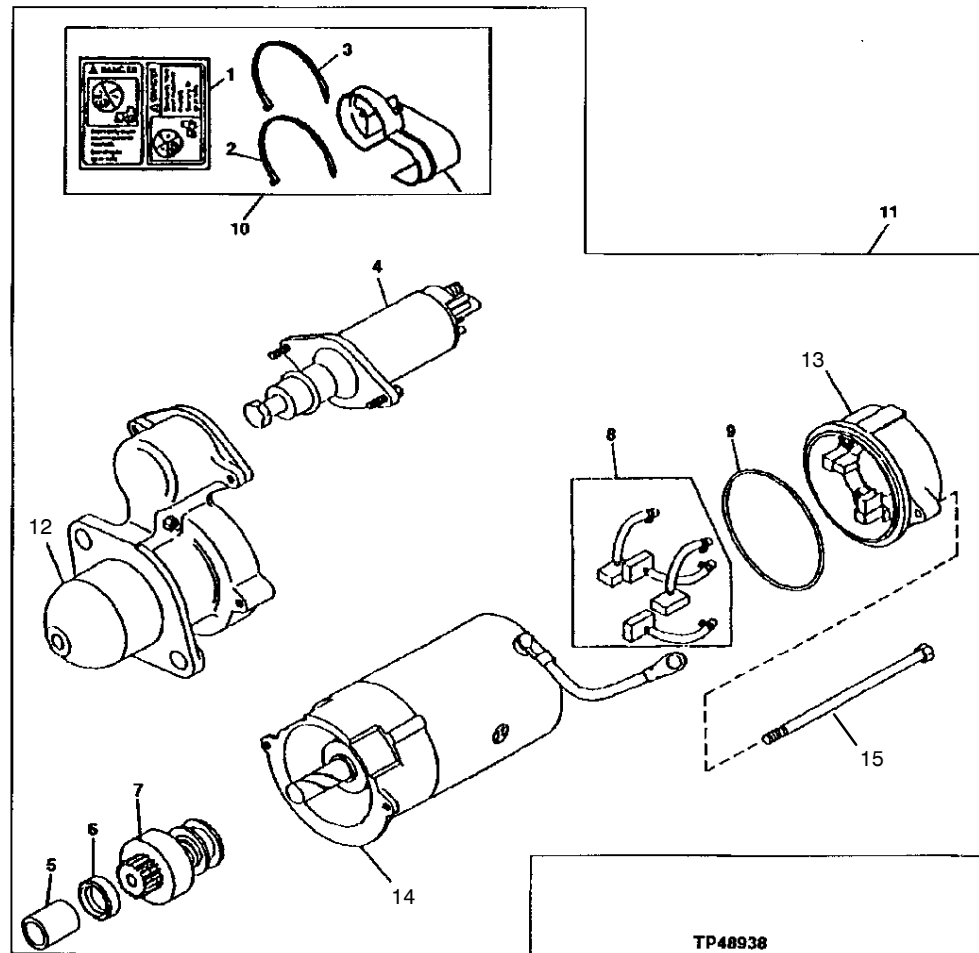
Group 11b: Starter Motor Components



Item	Part Number	Description	Quantity
			Variation Number
1	X	Bolt	2
2	X	Screw	2
3	X	Frame	1
4	X	Holder	1
5	X	Yoke	1
6	X	Bearing, ball	1
7	X	Bearing, ball	1
8	X	Armature	1
9	X	Washer	1
10	X	Pinion	1
11	X	Roller	5
12	223580	Clutch	1
13	X	Screw	3
14	X	Housing	1
15	X	Retainer	1
16	X	Ball	1
17	X	Spring	1
18	X	Switch	1
19	X	Washer	1
20	X	Nut	1
21	X	Cover	1
22	224327	Kit (includes starter and cover kit)	1
22	X	Starter (rebuilt)	1

X Item not sold separately.

Group 11b: Starter Motor Components, continued



TP48938

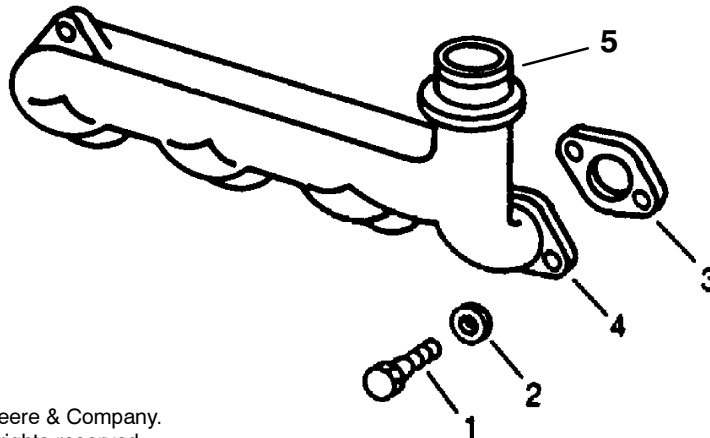
Reproduced by permission of Deere & Company.
© 1988 Deere & Company. All rights reserved.

TP48938

Item	Part Number	Description	Quantity	
			3004	3009
1	X	Label	1	1
2	X	Tie	1	1
3	X	Tie	1	1
4	360566	Switch, solenoid	1	
4	360573	Switch, solenoid		1
5	360567	Bushing	1	1
6	360568	Stop	1	1
7	360569	Bendix Drive	1	
7	360574	Bendix Drive		1
8	360570	Brush kit	1	
8	360575	Brush kit		1
9	360571	O-ring	1	1
10	360572	Kit, solenoid protection	1	1
11	360564	Starter	1	
11	360469	Starter (24 V)		1
12	X	Housing	1	1
13	X	Frame	1	1
14	X	Yoke	1	1
15	X	Screw	1	1

X Item not sold separately.

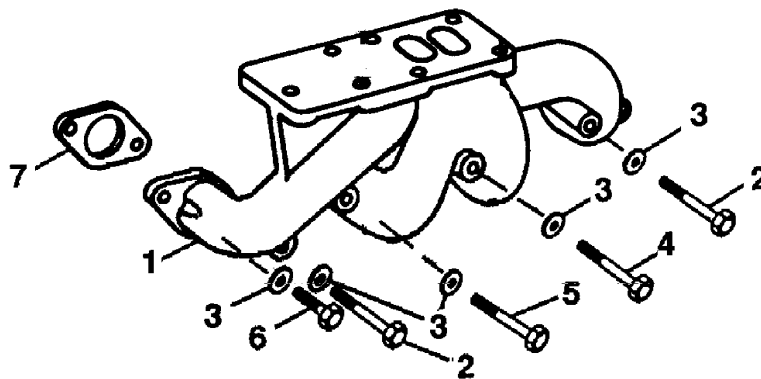
Group 12a: Exhaust Manifold



Reproduced by permission of Deere & Company.
© 1988 Deere & Company. All rights reserved.

TP12126

Item	Part Number	Description	Quantity	
			Variation Number	
1	#	Screw, 3/8-16 x 1 1/4 in. cap	8	
1	#	Screw, M10 x 80		8
2	#	Washer, plain, 13/32 x 23/32 x 0.12 in.	7	
3	223547	Gasket	4	4
4	223623	Manifold, exhaust	1	
4	360533	Manifold, exhaust		1
5	352340	Gasket, exhaust	1	1



Reproduced by permission of Deere & Company.
© 1988 Deere & Company. All rights reserved.

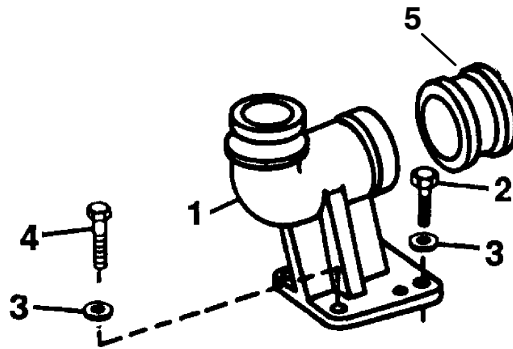
TP26831
(was TP25160)

Item	Part Number	Description	Quantity	
			Variation Number	
1	223478	Manifold, exhaust	1	
1	360534	Manifold, exhaust		1
2	#	Screw, 3/8-16 x 4 1/4 in. cap	2	
2	#	Screw, M10 x 80		2
3	#	Washer, plain, 13/32 x 23/32 x 0.12 in.	7	

Item	Part Number	Description	Quantity	
			Variation Number	
4	#	Screw, cap, 3/8-16 x 4 in.	1	
4	#	Screw, M10 x 80		1
5	#	Screw, cap, 3/8-16 x 5 in.	2	
5	#	Screw, M10 x 80		2
6	#	Screw, 3/8-16 x 1 1/4 in.	3	
6	#	Screw, M10 x 80		3
7	223547	Gasket	4	4

Common hardware, procure locally.

Group 12b: Exhaust Elbow



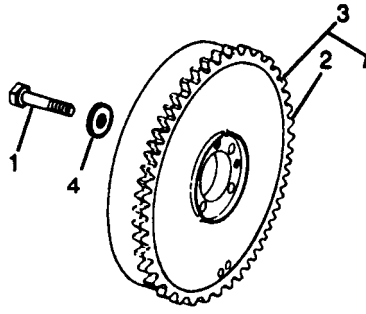
Reproduced by permission of Deere & Company.
 © 1988 Deere & Company. All rights reserved.

TP26809
 (was TP25160)

Item	Part Number	Description	Quantity	
			2	6401
1	223495	Fitting, elbow	1	
1	360117	Elbow		1
2	#	Screw, 3/8-16 x 1 1/2 in., grade 8	2	
2	#	Screw, M10 x 40		2
2	#	Nut, flange, M10 (not shown)		2
3	#	Washer, 13/32 x 13/16 x .06 in.	4	
4	224271	Screw	2	
4	#	Screw, M10 x 40		2
4	#	Nut, flange, M10 (not shown)		2
5	223538	Adapter	1	
5	223891	Adapter		1
6	224132	Clamp (not shown)		1

Common hardware, procure locally.

Group 13a: Flywheel



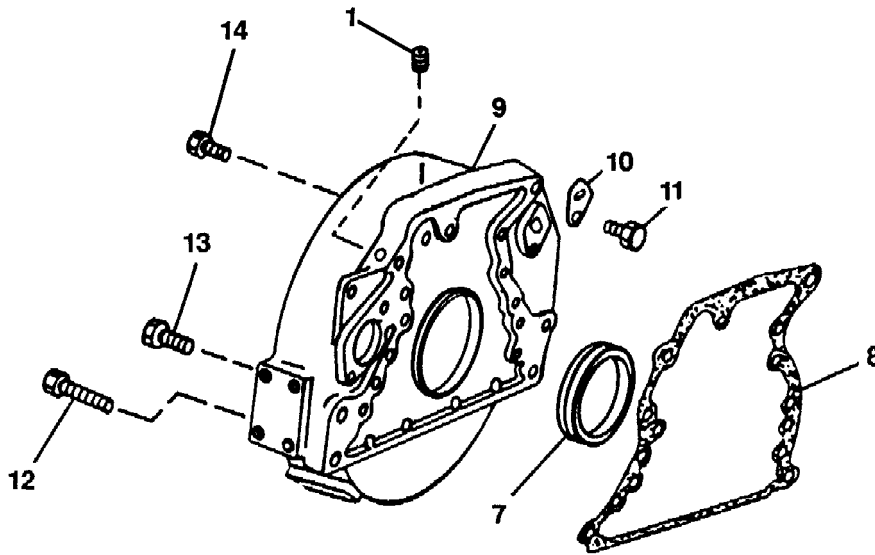
Reproduced by permission of Deere & Company.
 © 1988 Deere & Company. All rights reserved.

TP26795

Item	Part Number	Description	Quantity			
			Variation Number			
			1	1503	1507	1509
1	#	Screw, 1/2-13 x 1 1/2 in., grade 8	4			
1	#	Bolt		4	6	4
2	223613	Gear, 142 teeth	1		1	
2	223750	Gear		1		1
3	224293	Flywheel	1			
3	360579	Flywheel			1	
3	GM17501	Flywheel		1		
3	GM23840	Flywheel				1
4	223983	Washer	4			

Common hardware, procure locally.

Group 13b: Flywheel Housing



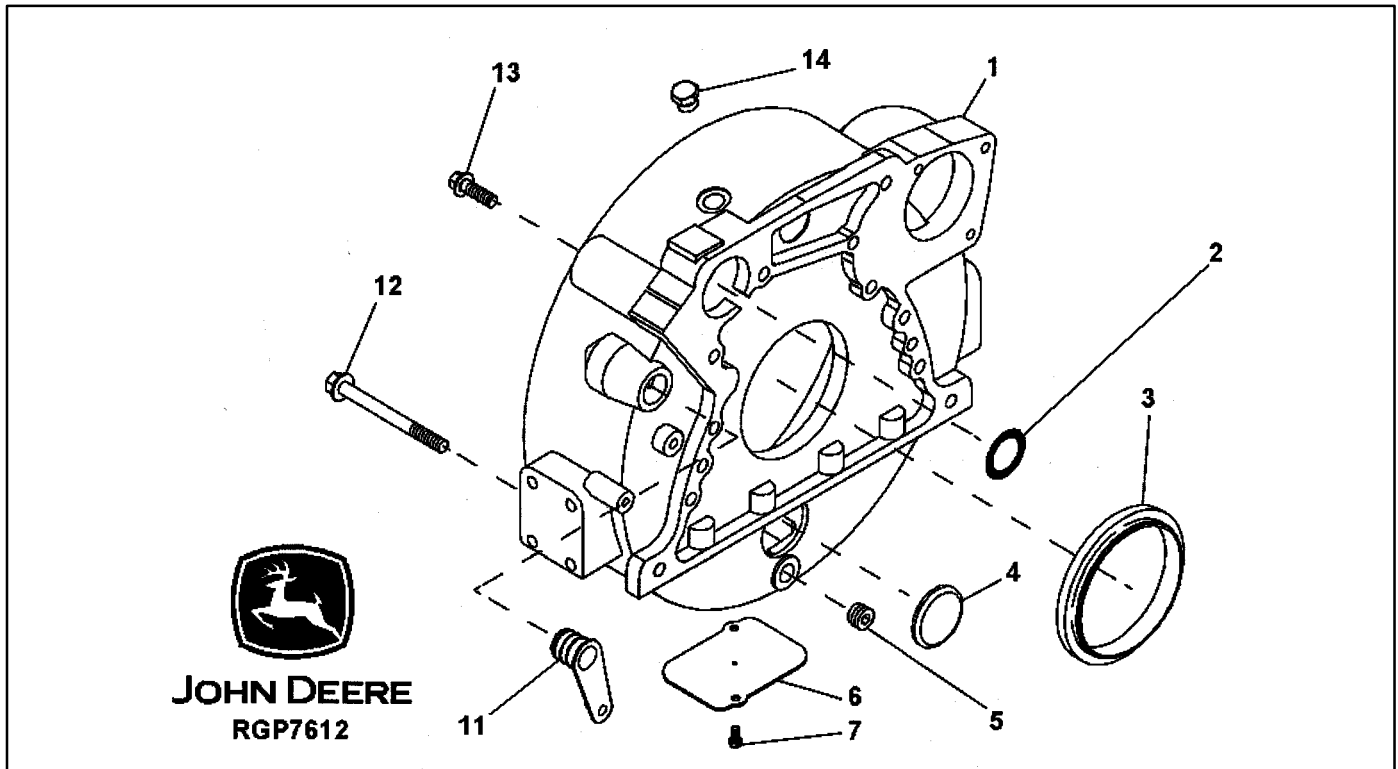
Reproduced by permission of Deere & Company.
© 1988 Deere & Company. All rights reserved.

TP26793
(was TP25770)

Item	Part Number	Description	Quantity		
			1	2	1402
1	#	Plug, pipe, 1/8 NPT	1	1	
7	223583	Seal	1		1
8	223558	Gasket	1	1	
9	224290	Housing, flywheel	1	1	
9	360580	Housing, flywheel			1
10	223614	Cover	1		
10	336438	Cover, timing tool hole		1	
10	360582	Plug			1
11	#	Screw, cap, 1/2 x 1/2 in.	1		
12	#	Screw, 5/8 x 5 1/2	2	2	
12	#	Screw, M12 x 130			2
13	#	Screw, 3/8-16 x 1 1/2 in., grade 8	8		
13	#	Screw, 3/8 x 1 3/8 in.		8	
13	360581	Bolt			8
13	360175	Washer			8
14	#	Screw, 5/8 x 2 1/2 in., grade 8	2		
14	#	Screw, 5/8 x 2 1/4 in., grade 8		2	
14	#	Screw, M12 x 50			2

Common hardware, procure locally.

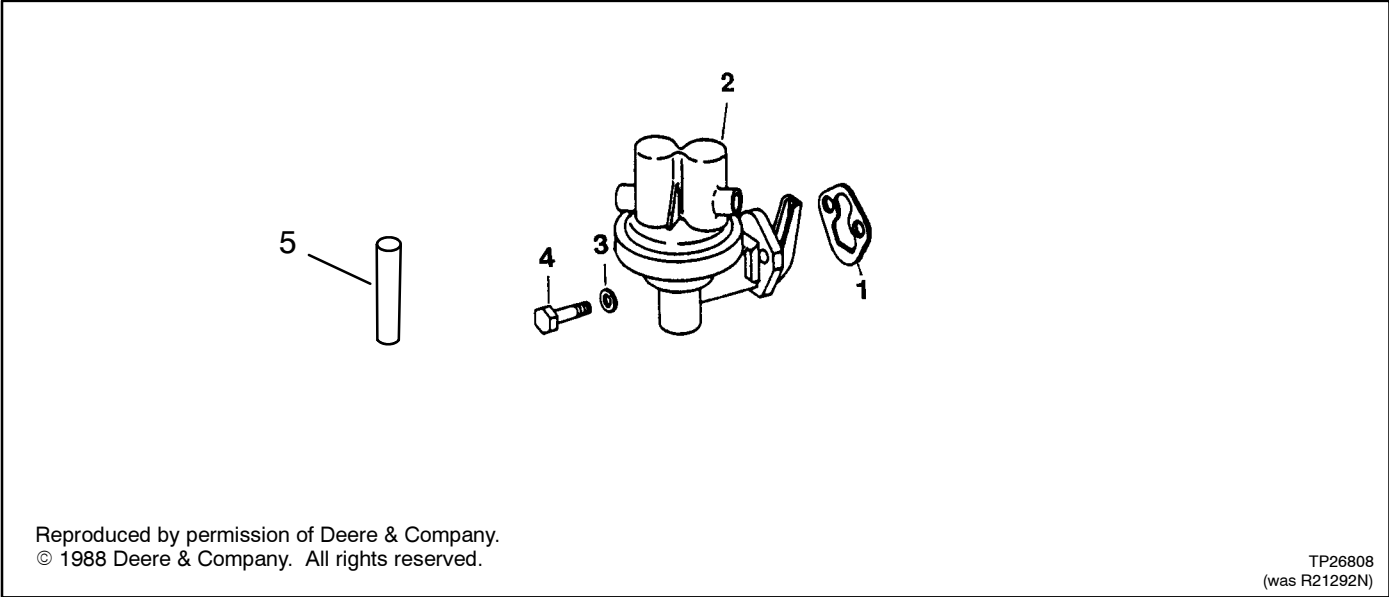
Group 13b: Flywheel Housing, continued



Item	Part Number	Description	Quantity	
			Variation Number 1403	Variation Number 1406
1	GM17454	Housing		1
1	360115	Housing	1	
2	#	O-ring		1
2	GM24540	O-ring		1
3	223583	Seal	1	1
4	GM17553	Cap		1
5	#	Plug, pipe		1
5	GM15403	Plug, pipe	1	
6	GM17449	Plate		1
7	#	Screw, cap, M6 x 12		2
8	Not Used			
9	Not Used			
10	Not Used			
11	GM17453	Plug		1
11	360146	Plug	1	
12	#	Screw, M12 x 50	4	4
13	360581	Bolt	8	8
14	GM17468	Fitting		1

Common hardware; procure locally.

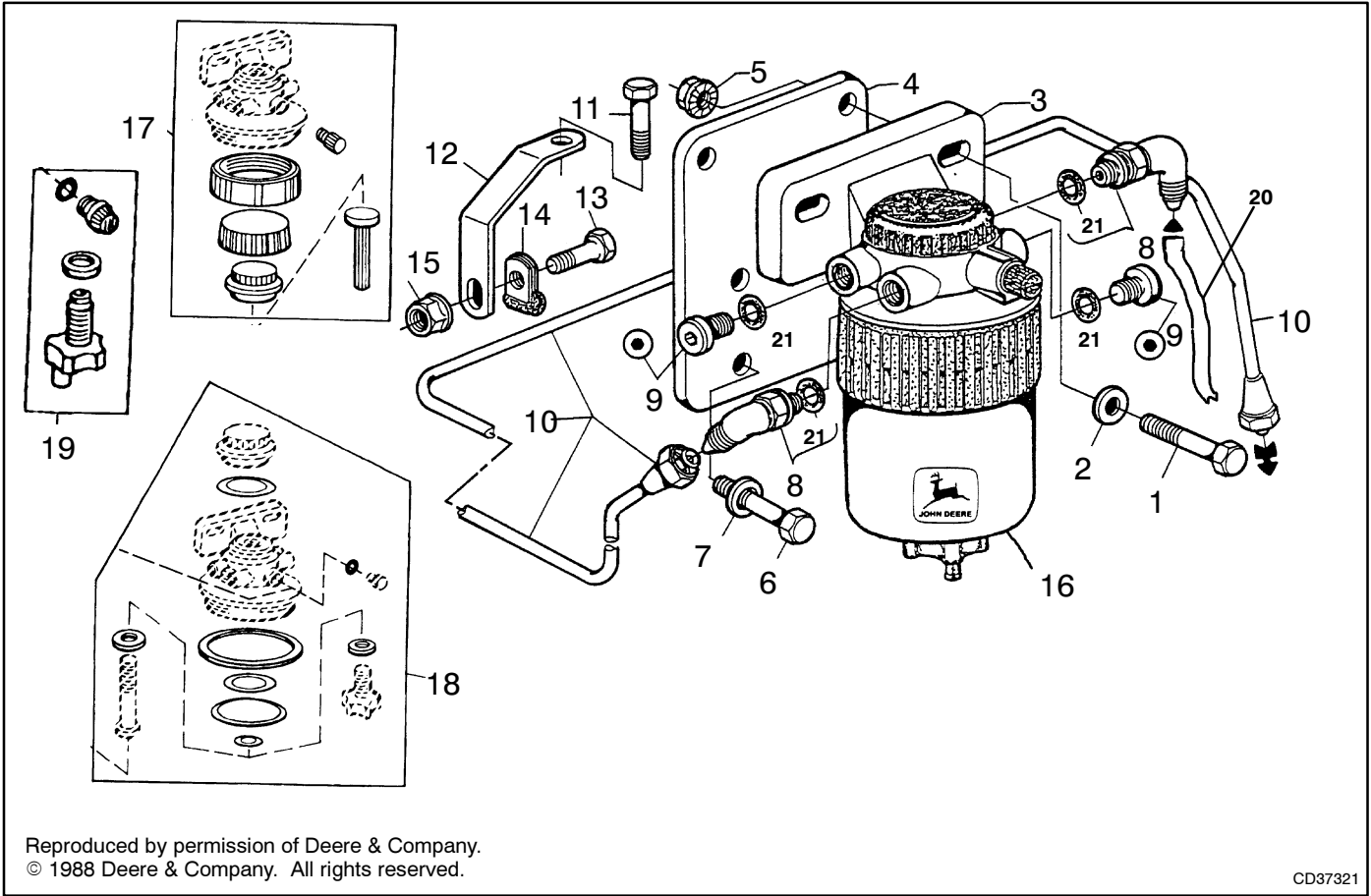
Group 14: Fuel Pump



Item	Part Number	Description	Quantity	
			Variation Number	3702
1	223557	Gasket	1	
2	223585	Pump, fuel (order item 1 also)	1	
2	360071	Pump, fuel		1
3	224338	Washer, aluminum	2	
3	#	Washer, 8.4 x 16 x 1.6 mm		2
4	#	Screw, cap, 5/16-18 x 1 1/4 in.	2	
4	#	Screw, cap		2
5	360159	Rod, push		1

Common hardware, procure locally.

Group 15: Fuel Filter



Reproduced by permission of Deere & Company.
© 1988 Deere & Company. All rights reserved.

CD37321

Group 15: Fuel Filter, continued

Item	Part Number	Description	Quantity	
			Variation Number 2	3516
1	#	Screw, 3/8 x 1 1/2 in.	2	2
1	#	Screw, M10 x 25		1
2	#	Washer, 3/8 in.	1	
3	336551	Housing, fuel filter		1
3	336969	Head, filter	1	
4	336547	Bracket	1	
5	#	Nut, lock, 3/8 in.	2	
6	#	Screw, 3/8 in. x 7/8 in.	2	
7	#	Washer, 3/8 in.	2	
8	222762	Fitting, elbow	2	
8	360037	Fitting		2
9	#	Plug, 0.703 x 0.490 in.	2	
9	360563	Plug		2
10	336546	Line, fuel inlet	1	
10	360025	Line, fuel		1
11	#	Screw, 3/8 x 2 in.	1	
11	#	Screw, M8 x 16		1
12	336548	Bracket	1	
12	360088	Bracket		1
13	#	Screw, 5/16 x 3/4 in.	1	
14	336549	Clamp	1	
14	360171	Clamp		1
15	#	Nut, flange, 5/16 in.	1	
15	#	Nut, flange, M8		1
16	224795	Filter, fuel (round)*	1	
16	275501	Filter, fuel (round)		1
17	222773	Kit, fuel filter	1	1
18	222772	Kit, fuel filter seal	1	1
19	360048	Kit, bleed plug and drain valve	1	1
20	275502	Line, fuel		1
21	360178	O-ring		1

#Common hardware, procure locally.

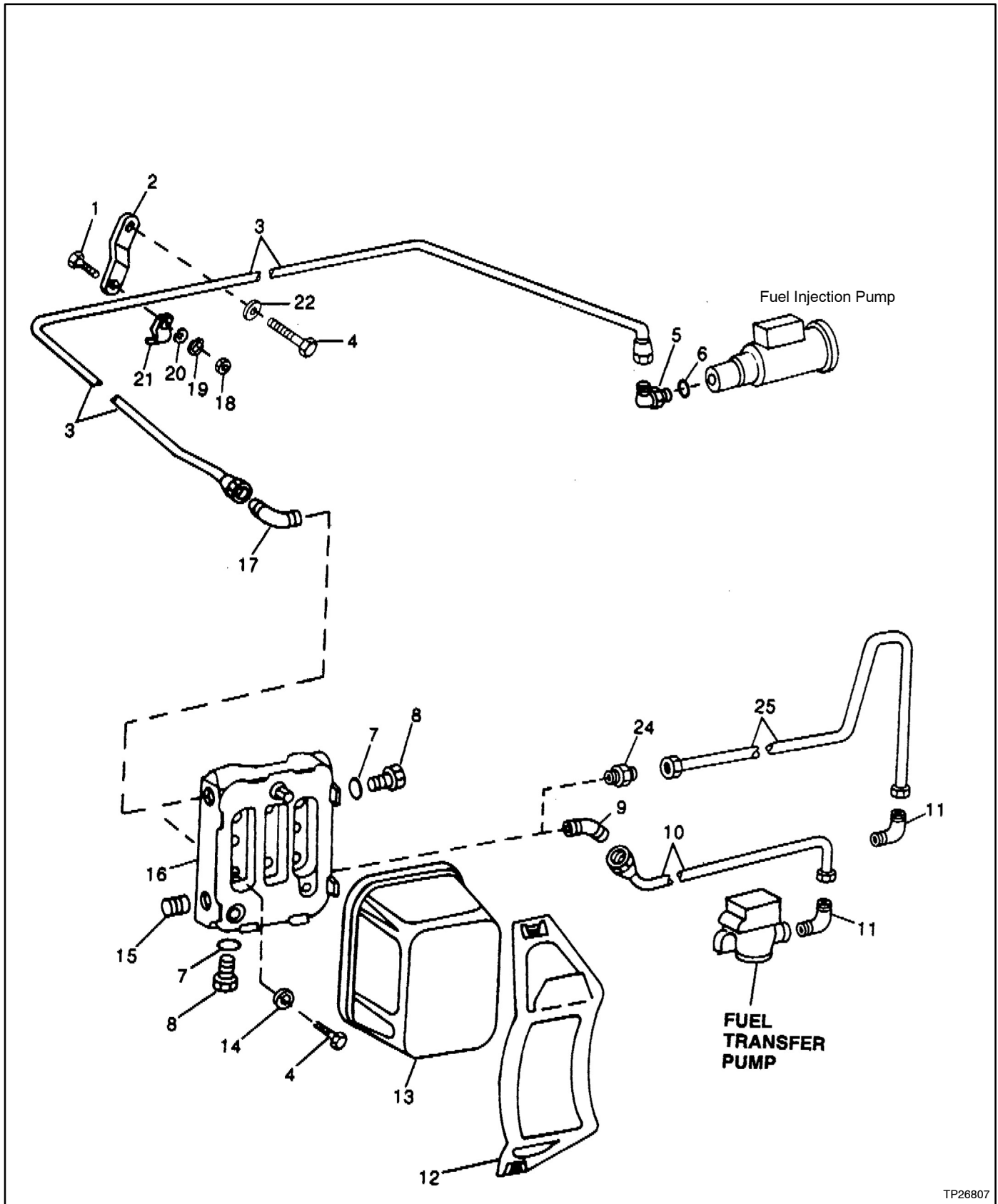
* See table "4039 Engine Serial Number-Contingent Fuel Filters" below for 4039 engine models

4039 Engine Serial Number-Contingent Fuel Filters

Use the engine serial number to verify the fuel filter type on 4039 engine models. Find your serial number on the engine nameplate and choose the fuel filter type from the chart below. The square filter (variation 1) is shown on the following page.

Model	Serial Number	Fuel Filter Type
20-40ROZJ	334216 and before	Square
	After 334216	Round
50/60ROZJ	334607 and before	Square
	After 334607	Round

Group 15: Fuel Filter, continued



TP26807

Group 15: Fuel Filter, continued

Item	Part Number	Description	Quantity
			Variation Number 1
1	#	Screw, 5/16-18 x 3/4 in.	1
2	223492	Strap	1
3	224298	Line, fuel; filter to injection pump	1
4	#	Screw, 3/8-16 x 7/8 in.	3
5	222762	Fitting, elbow	3
6	223456	O-ring	1
7	224010	Washer	2
8	223467	Plug, drain	1
9	223534	Fitting, elbow	1
10	224296	Line, fuel; transfer pump to filter	1
11	223534	Fitting, elbow	1
12	223505	Clamp	1
13	223414	Filter, fuel, square*	1
14	#	Washer, 13/32 x 23/32 x 0.120 in.	2
15	#	Plug, pipe, 1/8 NPT	1
16	223413	Housing	1
17	223646	Fitting, hose	1
18	#	Nut, 5/16-18	1
19	#	Washer, lock, 5/16 in.	1
20	#	Washer, 13/32 x 11/16 x .06 in.	1
21	223655	Clamp	1
22	#	Washer, lock, 3/8 in.	1
24	223457	Fitting	1
25	224297	Line, fuel	1

#Common hardware, procure locally.

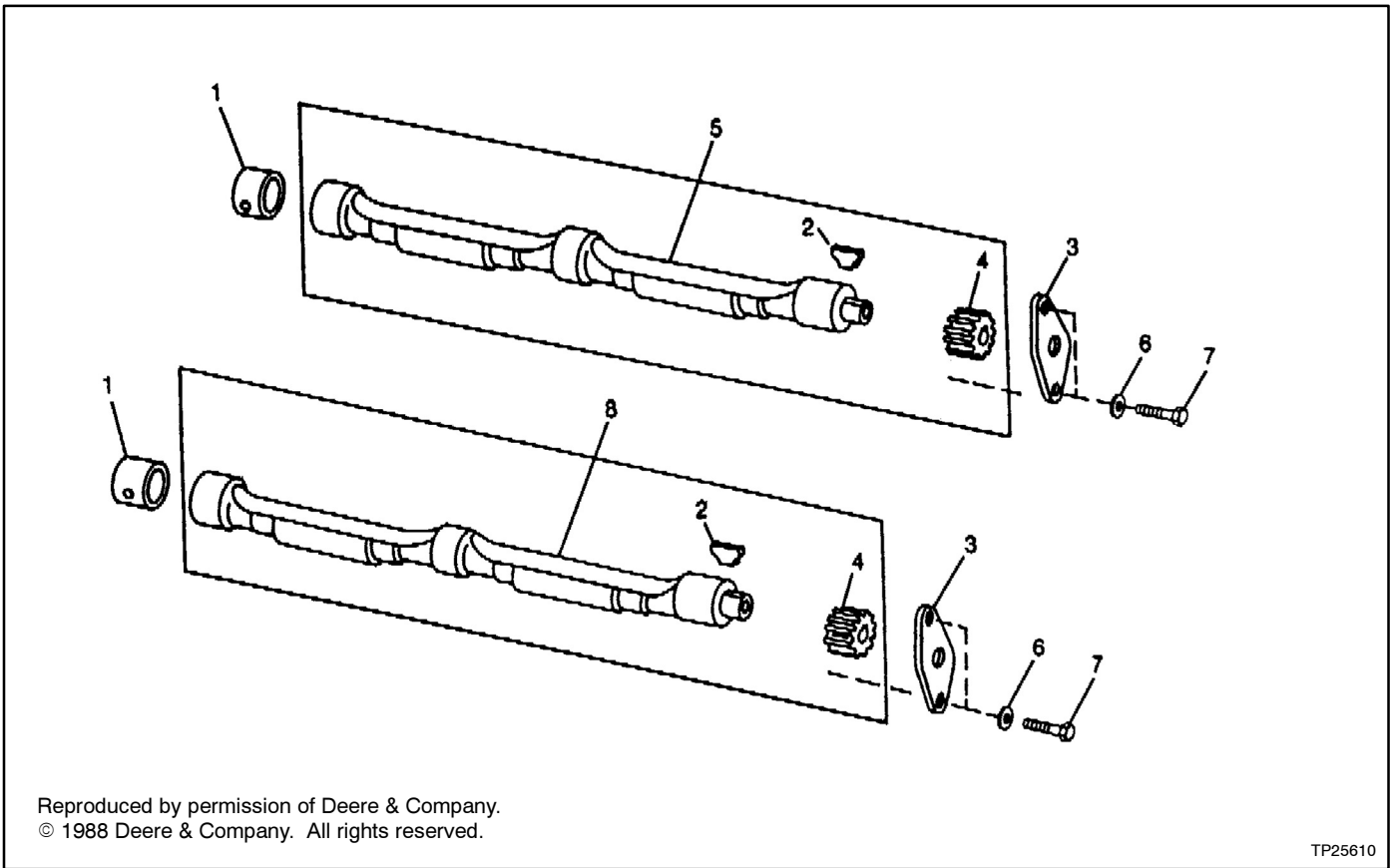
* See table "4039 Engine Serial Number-Contingent Fuel Filters" below for 4039 engine models

4039 Engine Serial Number-Contingent Fuel Filters

Use the engine serial number to verify the fuel filter type on 4039 engine models. Find your serial number on the engine nameplate and choose the fuel filter type from the chart below. The round filter (variation 2) is shown on the previous page.

Model	Serial Number	Fuel Filter Type
20-40ROZJ	334216 and before	Square
	After 334216	Round
50/60ROZJ	334607 and before	Square
	After 334607	Round

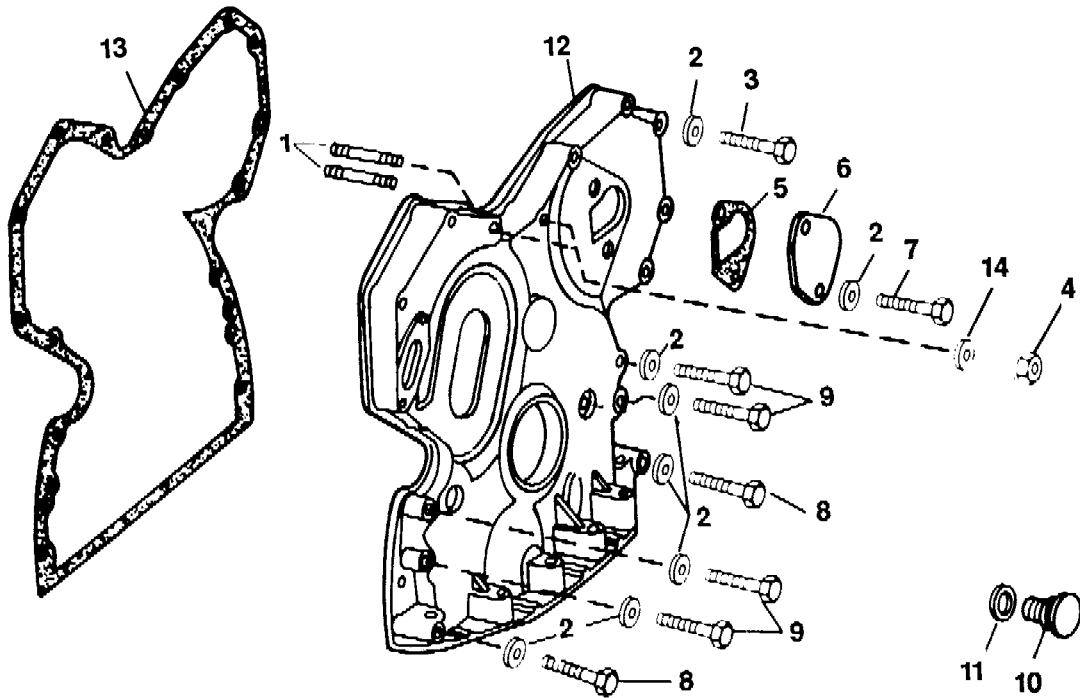
Group 16: Balancer Shafts



Item	Part Number	Description	Quantity		
			Variation Number		
			2	3	4502
1	223494	Bushing, standard	6	6	
1	360519	Bushing, standard			6
1	223550	Bushing, oversize	6	6	
2	223654	Key, shaft	1	1	2
2	#	Key, shaft 4 x 16 mm			2
3	223622	Stop, plate	2		
3	336470	Stop, plate		2	
3	360547	Plate			2
4	223618	Gear, right hand, 12 teeth	1	1	
4	223619	Gear, left hand, 12 teeth, pinion	1	1	
4	360100	Gear, left hand, 15 teeth			1
5	223416	Shaft, right hand	1		
5	336468	Shaft, right hand		1	
5	360550	Shaft, right hand			1
6	#	Washer, lock, 3/8 in.	4	4	
7	#	Screw, cap, 3/8-16 x 5/8 in.	4	4	
7	#	Screw, M8 x 12			4
8	223417	Shaft, left hand	1		
8	336469	Shaft, left hand		1	
8	360548	Shaft, left hand			1

Common hardware, procure locally.

Group 18: Timing Gear Cover



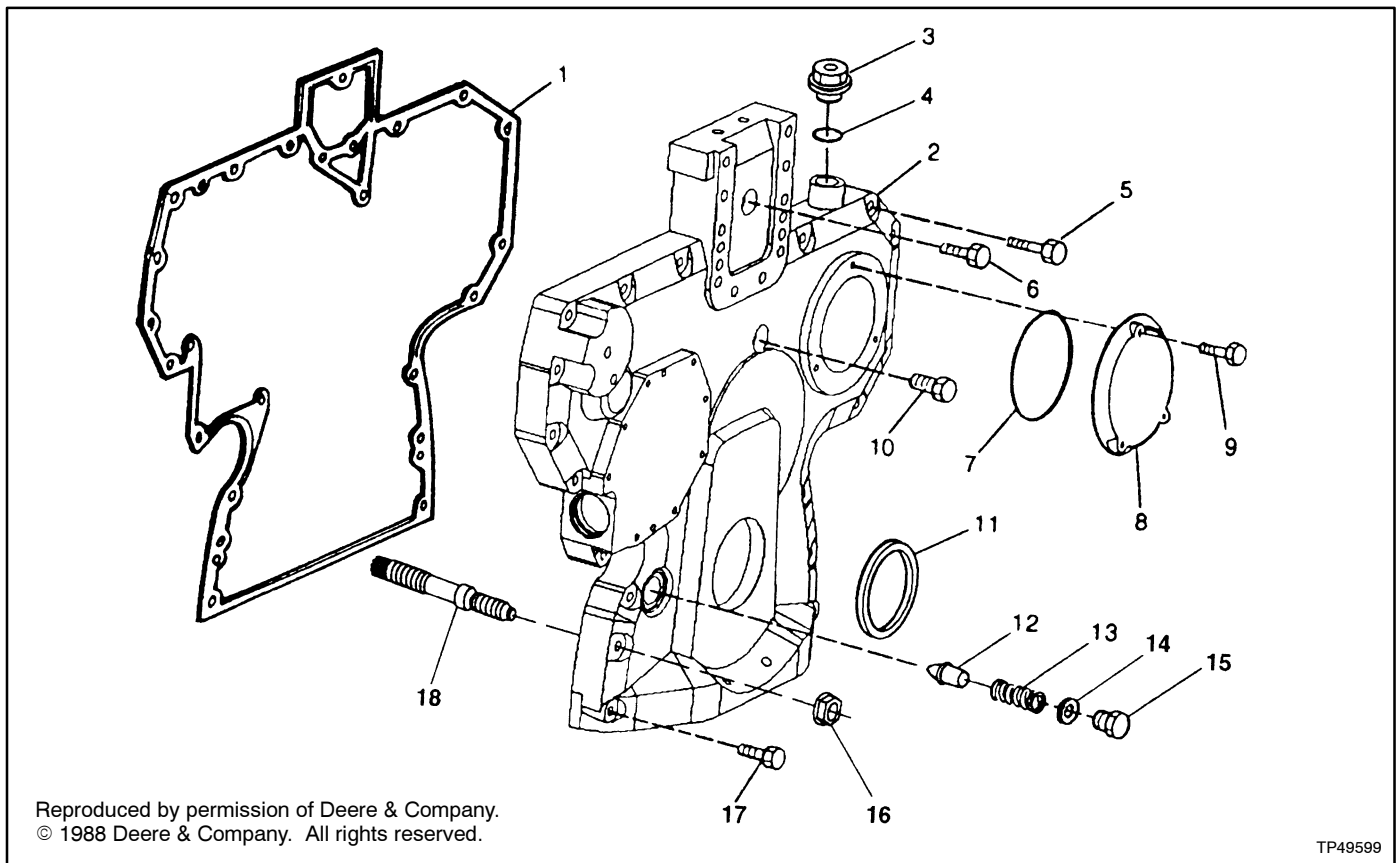
Reproduced by permission of Deere & Company.
© 1988 Deere & Company. All rights reserved.

TP26827
(was TP22840)

Item	Part Number	Description	Quantity	
			Variation 1	Variation 2
1	223662	Stud	2	2
2	#	Washer, 13/32 x 23/32 x 0.12 in.	16	16
3	#	Screw, 3/8-16 x 1 7/8 in. cap	10	10
4	#	Nut, 3/8-16	2	2
5	223515	Gasket	1	1
6	223637	Cover	1	1
6	336453	Plug		1
7	#	Screw, 3/8-16 x 7/8 in. cap	2	2
8	#	Screw, 3/8-16 x 2 1/2 in. cap	2	2
9	#	Screw, 3/8-16 x 1 7/8 in. cap	1	1
10	223653	Plug, fitting	1	
10	336454	Plug, fitting	1	
11	223410	Washer, aluminum (seal)	1	1
12	223586	Cover (w/inserts)	1	
12	336451	Cover (w/inserts)		1
13	224088	Gasket	1	1
14	#	Washer, 3/8 in. lock	2	2

Common hardware, procure locally.

Group 18: Timing Gear Cover, continued

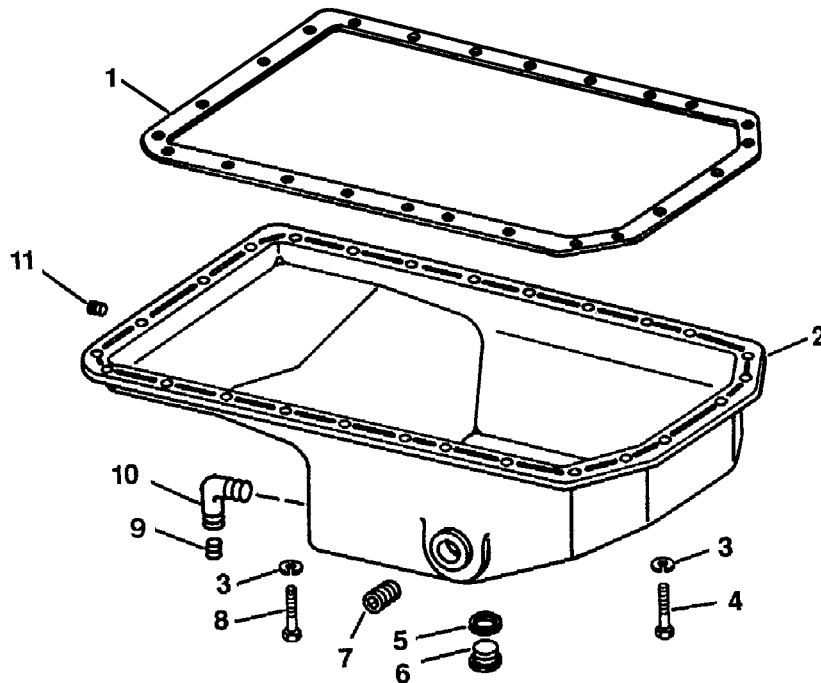


Item	Part Number	Description	Quantity
			Variation Number 4401
1	360510	Gasket	1
2	360511	Cover	2
3	360078	Plug, drain	1
4	360180	O-ring	1
5	#	Screw, M8 x 40	10
5	#	Screw, M8 x 35	1
5	360512	Screw	1
6	#	Screw, M8 x 35	1
6	#	Screw, M8 x 60	1
7	360107	O-ring	1
8	360105	Cover	1
9	#	Screw, M6 x 16	3
10	360513	Screw	2
11	360181	Kit, seal	1
12	224058	Valve	1
13	224095	Spring	1
14	223410	Washer	1
15	223653	Plug, fitting	1
16	#	Nut, flange, M10	4
17	#	Screw, M8 x 55	2
18	360140	Stud	4
19	360514	Stud (not shown)	2

Common hardware, procure locally.

Group 21a: Oil Pan

Code 1901



Reproduced by permission of Deere & Company.
© 1988 Deere & Company. All rights reserved.

TP25403

Serial Number-Contingent Oil Pans

Use engine model and serial number to verify the oil pan for your generator set. Find your model and serial number on the engine nameplate and choose the oil pan code from the chart below. Then turn to the oil pan page containing the oil pan code to identify parts.

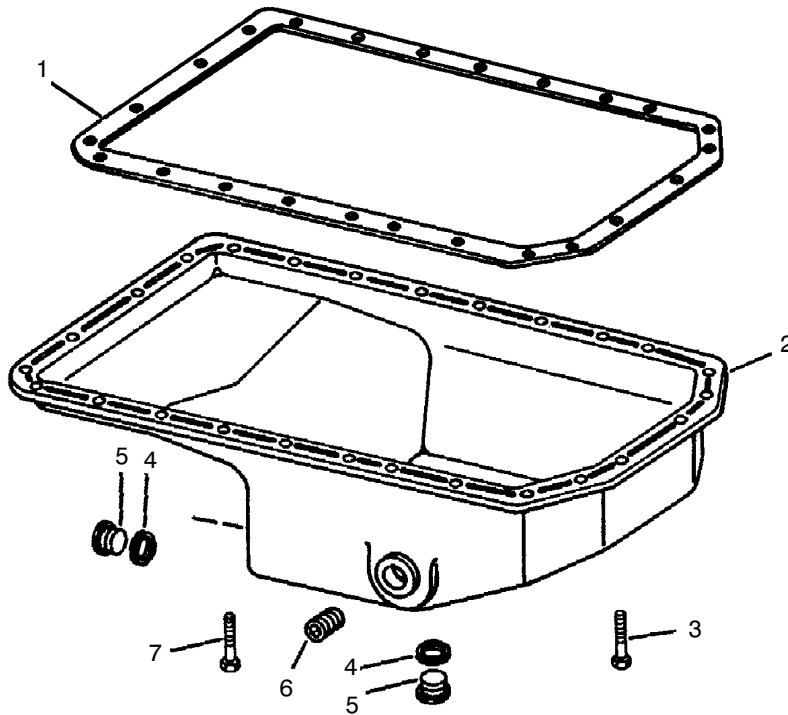
Model	Serial Number	Code
4039D	All	1901
4039T	All	1908
CD4039DF	Before 181857	1901
CD4039DF	181857 and after	1910
CD4039TF	Before 181857	1908
CD4039TF	181857 and after	1910
4045DF	All	1902
4045TF	All	1904

Item	Part Number	Description	Qty.
			Var. Number 1901
1	223645	Gasket, oil pan	1
2	223420	Pan, oil (also order items 5-7 and 11)	1
3	#	Washer, lock	28
4	#	Screw, 3/8-16 x 7/8 in.	6
5	223603	Washer, seal	1
6	223616	Plug, drain	1
7	#	Plug, pipe, recess. hex, 3/4 NPT	1
8	#	Screw, 3/8-16 x 3/4 in.	22
9	Not Used		
10	Not Used		
11	#	Plug, pipe, 1/2 NPT	1

Common hardware, procure locally.

Group 21a: Oil Pan, continued

Code 1902



Reproduced by permission of Deere & Company.
© 1988 Deere & Company. All rights reserved.

TP26802
(was TP16412)

Item	Part Number	Description	Qty.
			Var. Number 1902
1	360525	Gasket, oil pan	1
2	360526	Pan, oil	1
3	#	Screw, M8 x 20	6
4	360176	O-ring	2
5	360079	Plug	2
6	#	Plug, pipe, 3/4 in.	1
7	#	Screw, M8 x 16	22

Common hardware, procure locally.

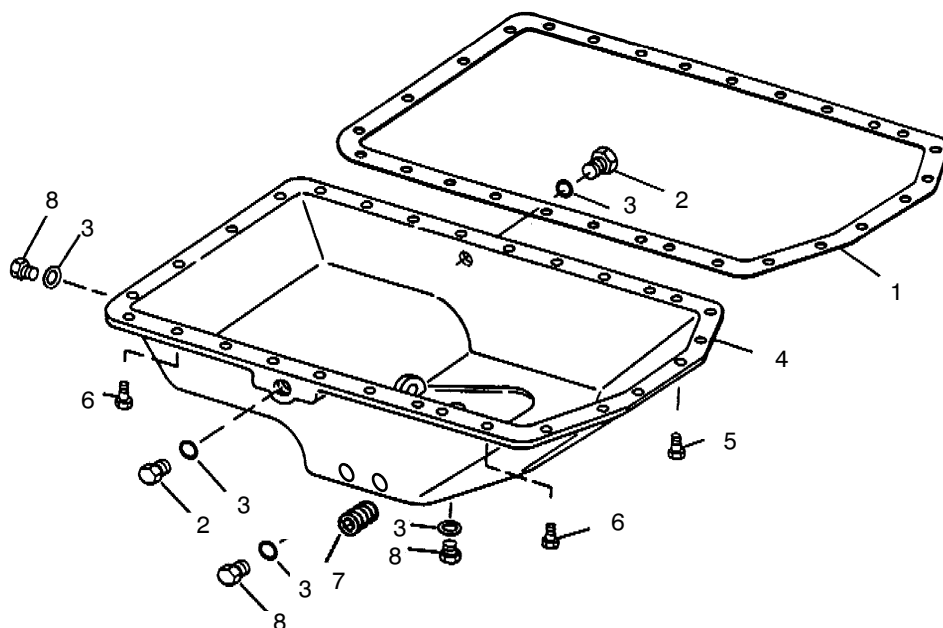
Serial Number-Contingent Oil Pans

Use engine model and serial number to verify the oil pan for your generator set. Find your model and serial number on the engine nameplate and choose the oil pan code from the chart below. Then turn to the oil pan page containing the oil pan code to identify parts.

Model	Serial Number	Code
4039D	All	1901
4039T	All	1908
CD4039DF	Before 181857	1901
CD4039DF	181857 and after	1910
CD4039TF	Before 181857	1908
CD4039TF	181857 and after	1910
4045DF	All	1902
4045TF	All	1904

Group 21a: Oil Pan, continued

Code 1904



Reproduced by permission of Deere & Company.
© 1988 Deere & Company. All rights reserved.

TP26802
(was TP16412)

Serial Number-Contingent Oil Pans

Use engine model and serial number to verify the oil pan for your generator set. Find your model and serial number on the engine nameplate and choose the oil pan code from the chart below. Then turn to the oil pan page containing the oil pan code to identify parts.

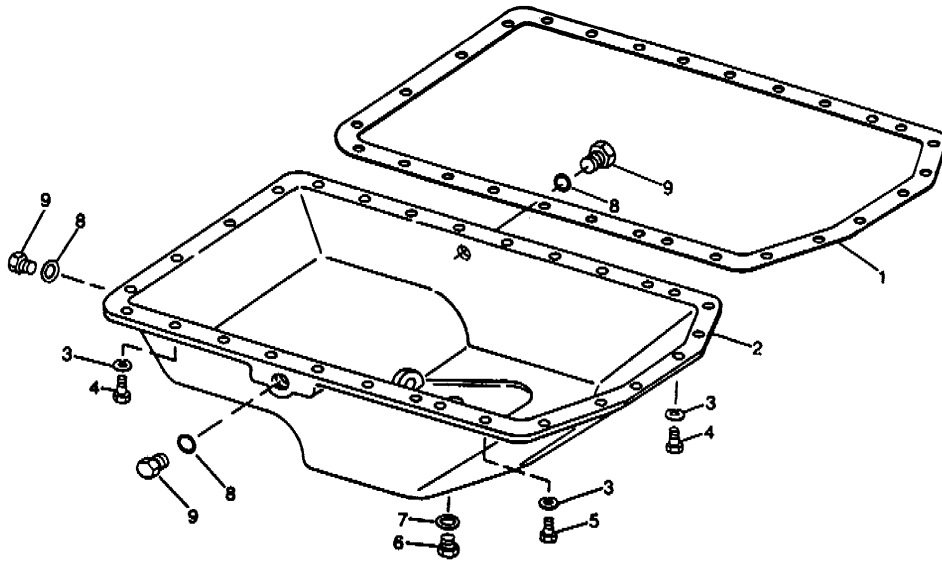
Model	Serial Number	Code
4039D	All	1901
4039T	All	1908
CD4039DF	Before 181857	1901
CD4039DF	181857 and after	1910
CD4039TF	Before 181857	1908
CD4039TF	181857 and after	1910
4045DF	All	1902
4045TF	All	1904

Item	Part Number	Description	Qty.
			Var. Number 1904
1	360527	Gasket, oil pan	1
2	360528	Fitting	2
3	360176	O-ring	5
4	360529	Oil pan	1
5	#	Screw, M8 x 30	6
6	#	Screw, M8 x 45	4
6	#	Screw, M8 x 25	18
7	#	Pipe plug, 3/4 in.	1
8	360079	Plug	3

Common hardware, procure locally.

Group 21a: Oil Pan, continued

Code 1908



Reproduced by permission of Deere & Company.
© 1988 Deere & Company. All rights reserved.

TP26802
(was TP16412)

Item	Part Number	Description	Qty.
			Var. Number 1908
1	223555	Gasket, oil pan	1
2	223535	Pan, oil	1
3	#	Washer, lock, 3/8 in.	28
4	#	Screw, cap, 3/8-16 x 1 1/4 in.	20
5	#	Screw, cap, 3/8-16 x 2 in.	8
6	223451	Plug, drain	2
7	223603	Washer, seal	2
8	223466	O-ring	2
9	223458	Plug, drain	2

Common hardware, procure locally.

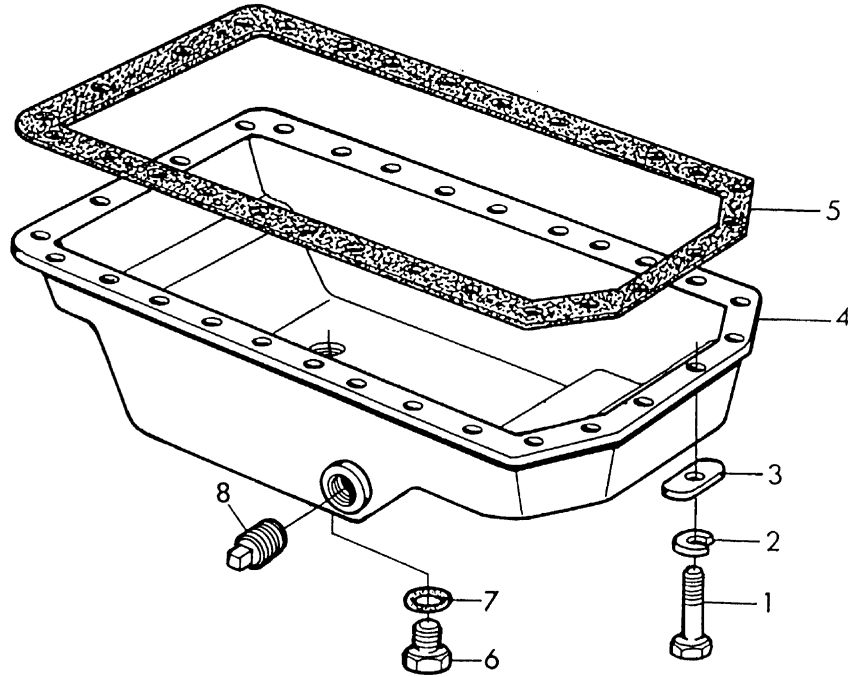
Serial Number-Contingent Oil Pans

Use engine model and serial number to verify the oil pan for your generator set. Find your model and serial number on the engine nameplate and choose the oil pan code from the chart below. Then turn to the oil pan page containing the oil pan code to identify parts.

Model	Serial Number	Code
4039D	All	1901
4039T	All	1908
CD4039DF	Before 181857	1901
CD4039DF	181857 and after	1910
CD4039TF	Before 181857	1908
CD4039TF	181857 and after	1910
4045DF	All	1902
4045TF	All	1904

Group 21a: Oil Pan, continued

Code 1910



Reproduced by permission of Deere & Company.
© 1988 Deere & Company. All rights reserved.

CD40501

Serial Number-Contingent Oil Pans

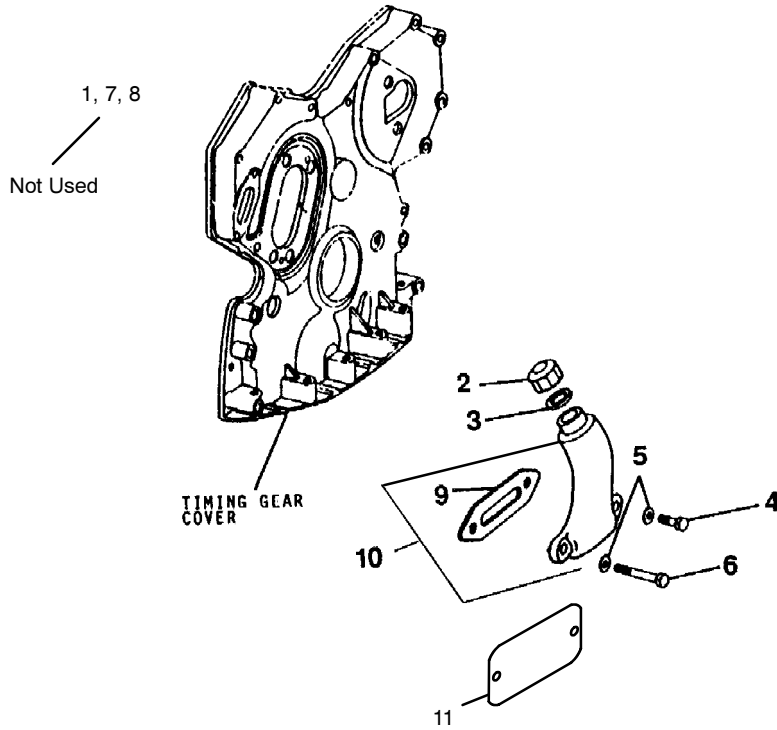
Use engine model and serial number to verify the oil pan for your generator set. Find your model and serial number on the engine nameplate and choose the oil pan code from the chart below. Then turn to the oil pan page containing the oil pan code to identify parts.

Model	Serial Number	Code
4039D	All	1901
4039T	All	1908
CD4039DF	Before 181857	1901
CD4039DF	181857 and after	1910
CD4039TF	Before 181857	1908
CD4039TF	181857 and after	1910
4045DF	All	1902
4045TF	All	1904

Item	Part Number	Description	Qty.
			Var. Number 1910
1	#	Screw, 3/8 x 3/4 in.	28
2	#	Washer, lock, 3/8 in.	28
3	#	Strap	28
4	336587	Pan, oil	1
5	223645	Gasket	1
6	223458	Plug, drain	2
7	223466	O-ring	2
8	#	Plug, pipe, 1/2 in.-14 NPT	1

Common hardware, procure locally.

Group 21b: Oil Fill Tube



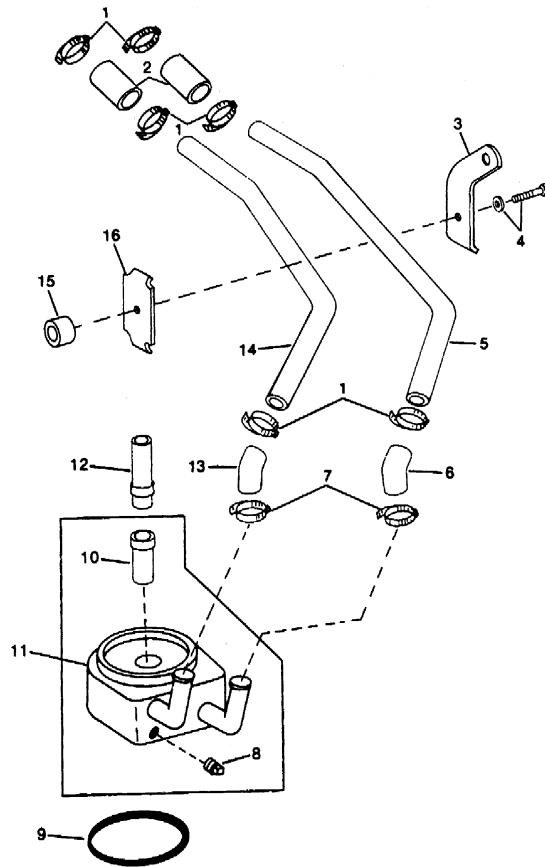
Reproduced by permission of Deere & Company.
 © 1988 Deere & Company. All rights reserved.

TP26810
 (was T30588)

Item	Part Number	Description	Quantity	
			Variation Number	
			1	1299
1	Not Used			
2	223549	Plug	1	
3	223636	Gasket	1	
4	#	Screw, cap, 3/8-16 x 1 5/8 in.	1	
4	360067	Screw, cap		1
5	#	Washer, 13/32 x 23/32 x 0.12 in.	2	
6	#	Screw, 3/8-16 x 3 in.	1	
6	360067	Screw, cap		1
7	Not Used			
8	Not Used			
9	See item 10	Gasket	1	
9	360090	Gasket		2
10	223584	Neck, filler	1	
11	360089	Cover		2

Common hardware, procure locally.

Group 21c: Oil Cooler



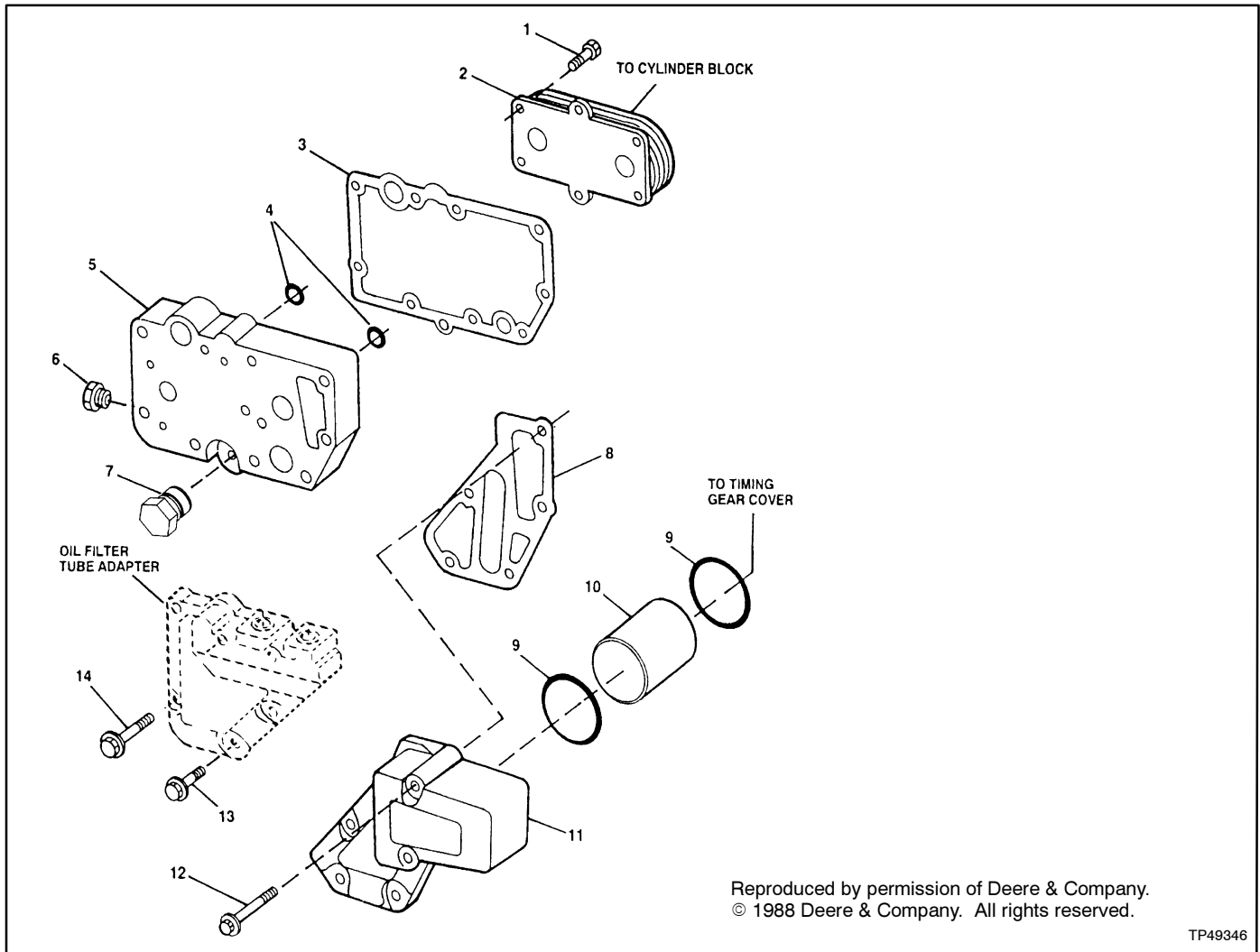
Reproduced by permission of Deere & Company.
 © 1988 Deere & Company. All rights reserved.

TP26821

Item	Part Number	Description	Quantity	
			Variation Number 1	Variation Number 2
1	#	Clamp	6	6
2	#	Hose, .625 ID x 1.0 OD x 20 in.	2	
2	336464	Hose		2
3	224022	Flange	1	
3	336466	Clamp		1
4	#	Screw	1	1
5	223510	Tube, lower	1	
5	336462	Tube, lower		1
6	224061	Hose, lower	1	
6	336463	Hose, lower		1
7	#	Clamp	2	2
8	223493	Plug, drain	1	
9	223506	Washer	1	1
10	360777	Valve, relief	1	
11	224085	Cooler, oil	1	
11	336460	Cooler, oil		1
12	223661	Nipple, threaded	1	
12	336465	Nipple, threaded		1
13	224061	Hose, upper	1	
13	336463	Hose, upper		1
14	223509	Tube, upper	1	
14	336461	Tube, upper		1
15	224334	Washer, spacer	1	
15	336467	Washer, spacer		1
16	224023	Clamp	1	
16	336466	Clamp		1

Common hardware, procure locally.

Group 21c: Oil Cooler, continued



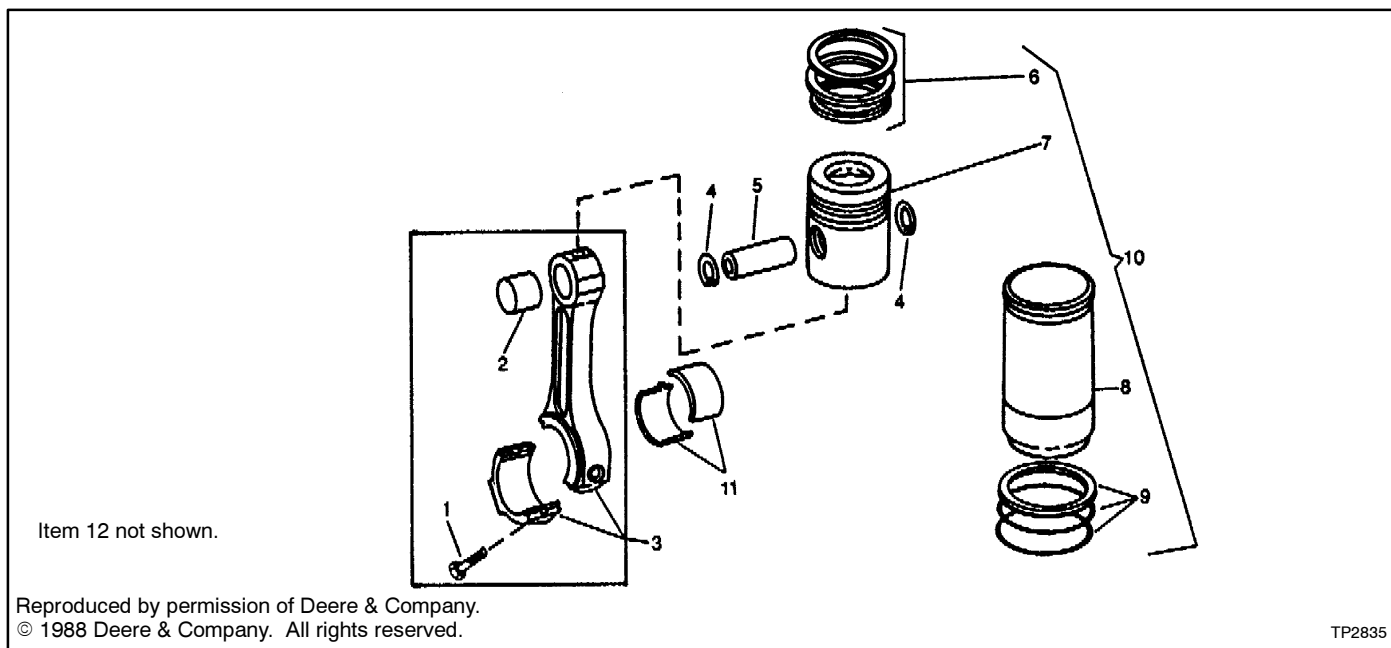
Reproduced by permission of Deere & Company.
 © 1988 Deere & Company. All rights reserved.

TP49346

Item	Part Number	Description	Quantity
			Variation Number 5901
1	#	Screw	6
2	275503	Cooler, oil	1
3	360130	Gasket	1
4	360170	O-ring	2
5	360127	Housing	1
6	360015	Plug	1
7	360014	Plug	1
8	360131	Gasket	1
9	360164	O-ring	2
10	360086	Tube	1
11	360128	Adapter	1
12	#	Screw, M8 x 100	2
13	#	Screw, M8 x 20	2
14	#	Screw, M8 x 65	2

Common hardware, procure locally.

Group 22: Piston and Connecting Rod

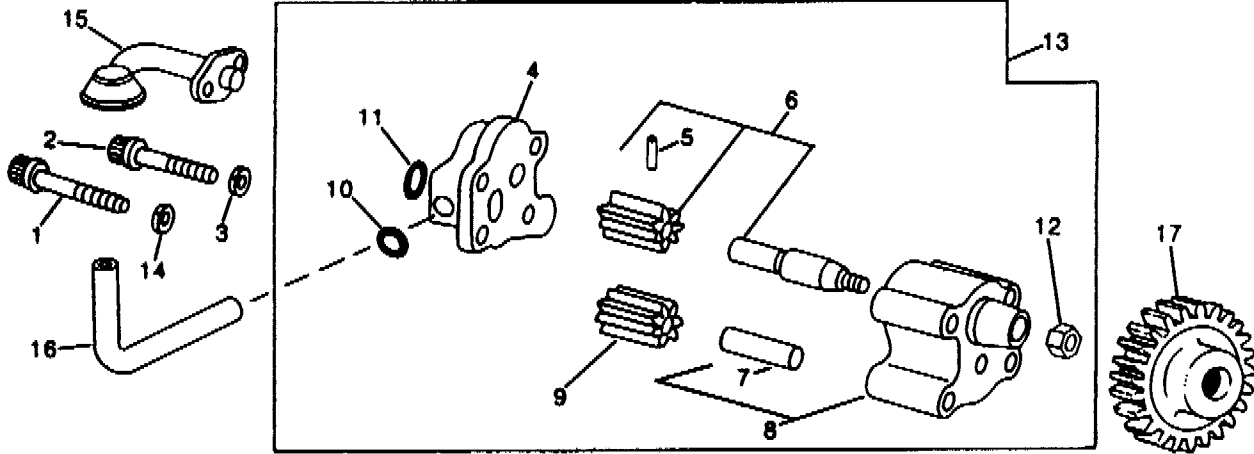


Item	Part Number	Description	Quantity					
			Variation Number					
			1	2	3	4	4803	4804
1	223528	Screw, connecting rod	8	8				
1	360081	Screw, connecting rod			8	8		
1	GM17477	Screw, connecting rod					8	8
2	223499	Bushing	4	4				
2	360145	Bushing			4	4		
2	GM17451	Bushing					4	
2	GM17446	Bushing						4
3	223567	Rod, connecting	4	4				
3	360047	Rod, connecting			4	4		
3	GM17499	Rod, connecting					4	
3	GM17610	Rod, connecting						4
4	223452	Ring, snap	8		8	8	8	8
4	223479	Ring, snap		8				
5	223473	Pin, piston	4					
5	223488	Pin, piston		4				
5	360114	Pin, piston			4	4	4	
5	GM17450	Pin, piston						4
6	223565	Ring kit, piston (set 3)	4	4				4
6	360066	Ring kit, piston (set 3)			4	4	4	
7	223571	Piston	4					
7	223570	Piston		4				
7	X	Piston			4	4	4	
8	X	Liner, cylinder	4	4	4	4	4	
9	X	O-ring kit	4	4				
9	223419	O-ring kit			4	4	4	4
10	223589	Kit, piston assembly	4					
10	223589	Kit, piston assembly		4				
10	360515	Kit, piston assembly			4			
10	360059	Kit, piston assembly				4	4	
10	360060	Kit, piston assembly						4
11	223441	Bearing (set of 2) standard	4					
11	223423	Bearing (set of 2) standard		4				
11	360053	Bearing (set of 2) standard			4	4	4	4
11	223437	Bearing (set of 2) .002 in., undersize	4					
11	223425	Bearing (set of 2) .002 in., undersize		4				
11	223438	Bearing (set of 2) .010 in., undersize	4					
11	223426	Bearing (set of 2) .010 in., undersize		4				
11	360054	Bearing (set of 2) .010 in., undersize			4	4	4	4
11	223439	Bearing (set of 2) .020 in., undersize	4					
11	223427	Bearing (set of 2) .020 in., undersize		4				
11	223440	Bearing (set of 2) .030 in., undersize	4					
11	223428	Bearing (set of 2) .030 in., undersize		4				
12	223415	Lubricating soap (not shown)	1	1				

X Item not sold separately.

Group 25: Oil Pump

Engine model 4039 and engine model CD4039TF with engine serial numbers below 181857



Reproduced by permission of Deere & Company.
© 1988 Deere & Company. All rights reserved.

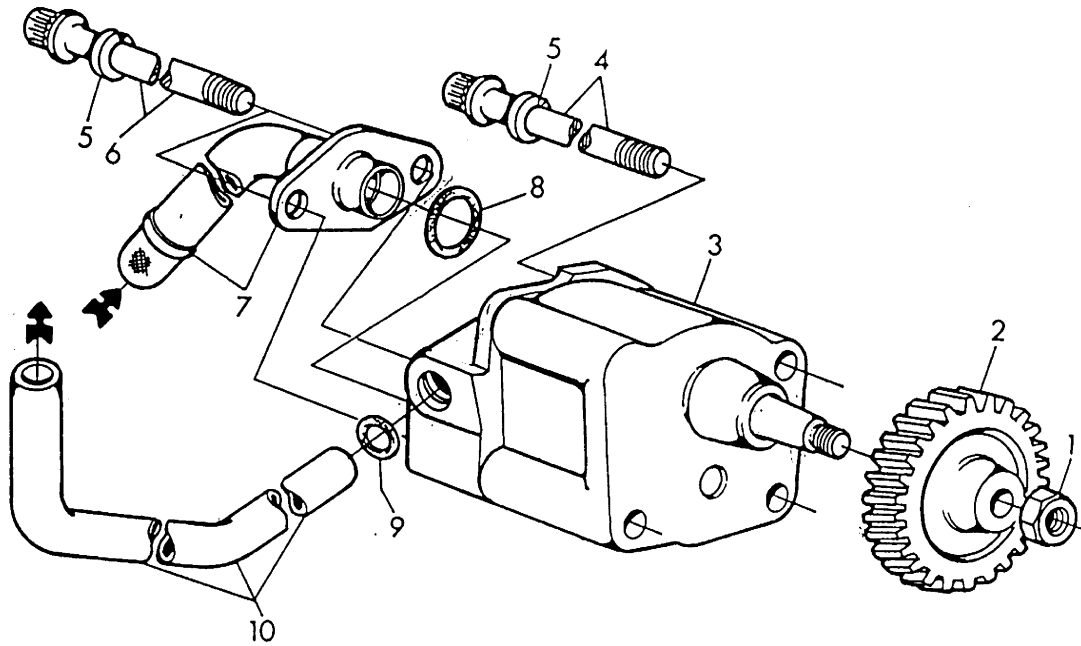
TP26839

Item	Part Number	Description	Quantity	
			Variation Number	
			1	2
1	224279	Screw	2	2
2	224274	Screw	2	2
3	#	Washer, lock, 3/8 in.	2	2
4	X	Cover	1	1
5	224266	Pin, groove	1	1
6	X	Pinion	1	1
7	X	Pin, dowel	1	1
8	X	Housing	1	1
9	X	Gear, 7 teeth	1	1
10	223511	O-ring	1	1
11	224035	O-ring	1	1
12	#	Nut, 1/2 in.	1	1
13	223596	Kit, oil pump	1	1
14	224159	Washer	2	2
15	224294	Intake, oil pump	1	
15	336457	Intake, oil pump		1
16	223608	Tube, oil	1	1
17	223631	Gear, 33 teeth	1	1

Common hardware, procure locally.
X Item not sold separately.

Group 25: Oil Pump, continued

Engine model 4045 and engine model CD4039TF with engine serial numbers 181857 and above



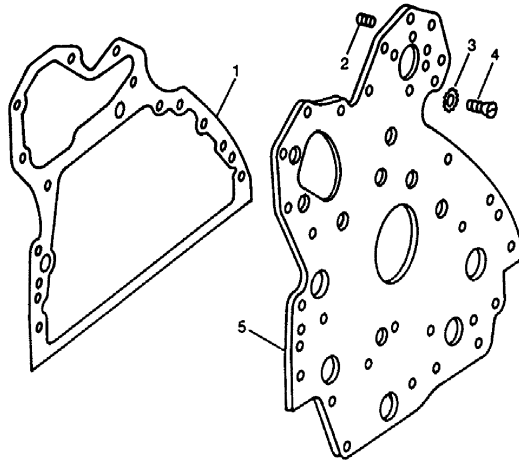
Reproduced by permission of Deere & Company.
© 1988 Deere & Company. All rights reserved.

CD39105

Item	Part Number	Description	Quantity	
			Variation Number 2	5002
1	#	Nut, 1/2-13 in.	1	
1	#	Nut, M12		1
2	223631	Gear	1	
2	360524	Gear		1
3	336584	Pump, oil	1	
3	360028	Pump, oil		1
4	224274	Screw, cap, 2.75 in.	3	
4	#	Screw, M8 x 65		2
5	#	Lock washer, 3/8 in.	3	
6	336585	Screw, cap, 3.89 in.	2	
6	#	Screw, M8 x 100		2
7	336457	Oil pump intake	1	
7	360523	Oil pump intake		1
8	224035	O-ring	1	1
9	223511	O-ring	1	
9	336458	O-ring		1
10	336583	Tube, oil	1	
10	360104	Tube, oil		1

Common hardware, procure locally.

Group 26: Front Plate



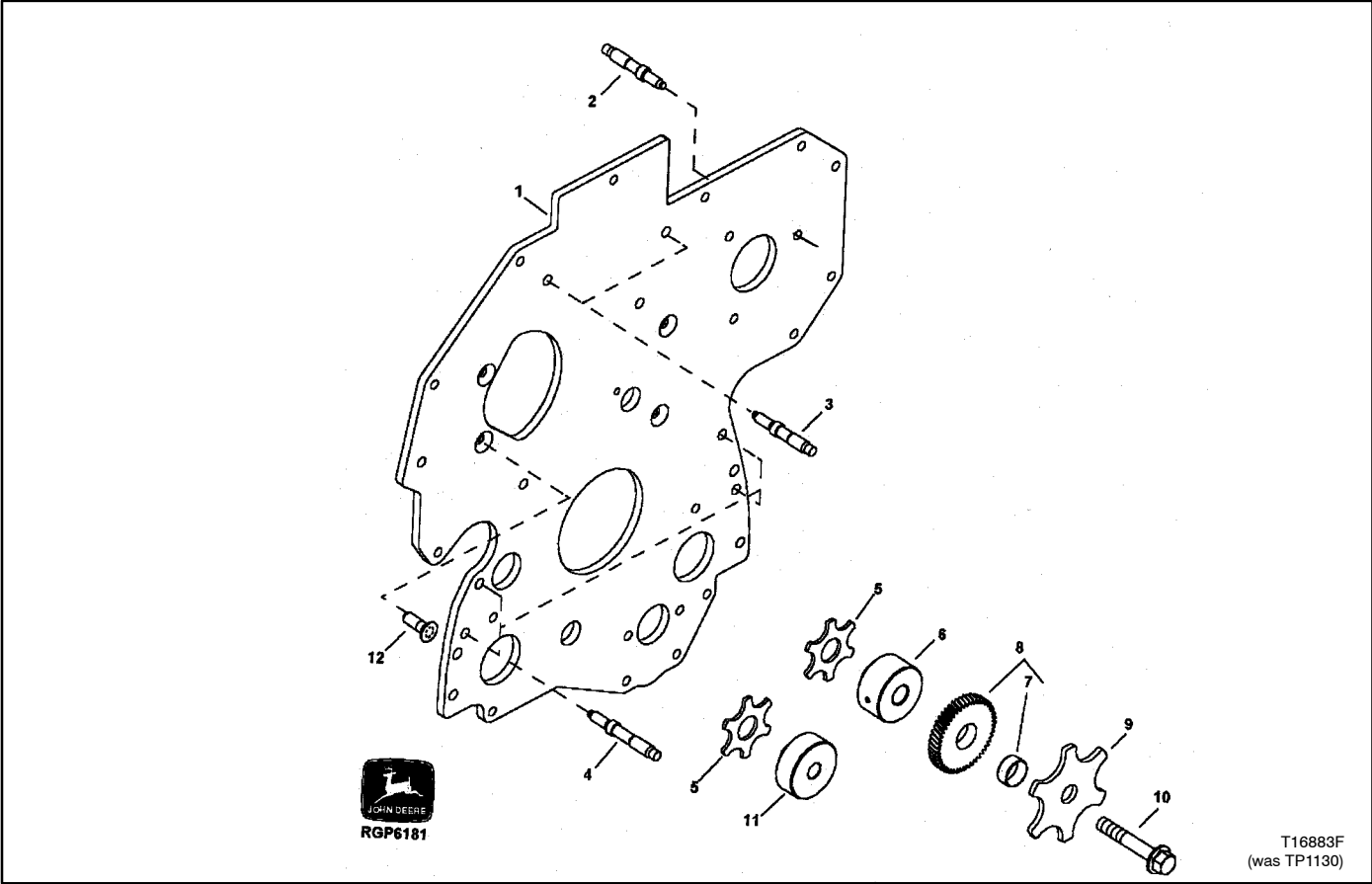
Reproduced by permission of Deere & Company.
 © 1988 Deere & Company. All rights reserved.

T16883F
 (was TP1130)

Item	Part Number	Description	Quantity	
			Variation Number	
			1	2
1	223548	Gasket	1	
2	223442	Screw, set	8	
2	223445	Screw, set	1	
3	#	Washer, ext. tooth lock, 3/8 in.	5	
4	224333	Screw	5	
4	360516	Screw		6
5	223566	Plate	1	
5	360110	Plate		1

Common hardware, procure locally.

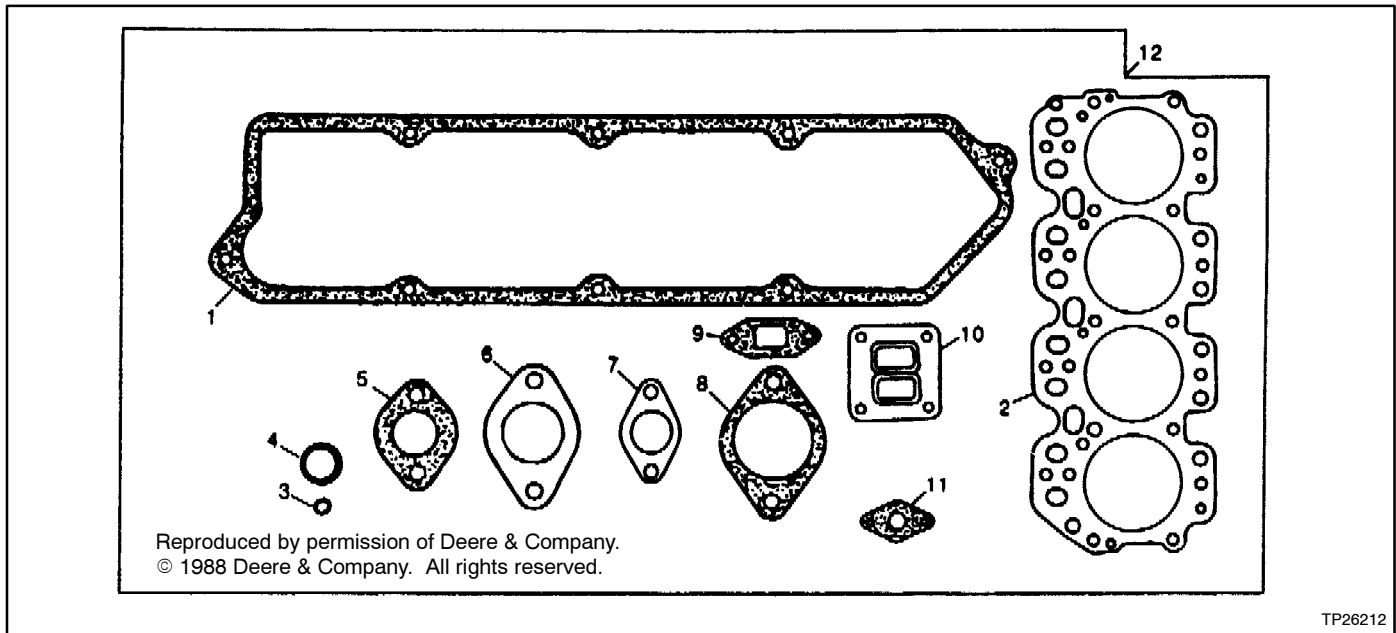
Group 26: Front Plate, continued



Item	Part Number	Description	Quantity
			Variation Number 3601
1	GM23829	Plate	1
2	360092	Stud	3
3	360514	Stud	2
4	360140	Stud	4
5	336446	Washer, thrust	1
6	224186	Shaft	1
7	223606	Bushing	1
8	GM23841	Gear, upper idler	1
9	360148	Washer, thrust	1
10	#	Screw, M6 x 65	1
11	360083	Shaft	1
12	360516	Screw	4

Common hardware, procure locally.

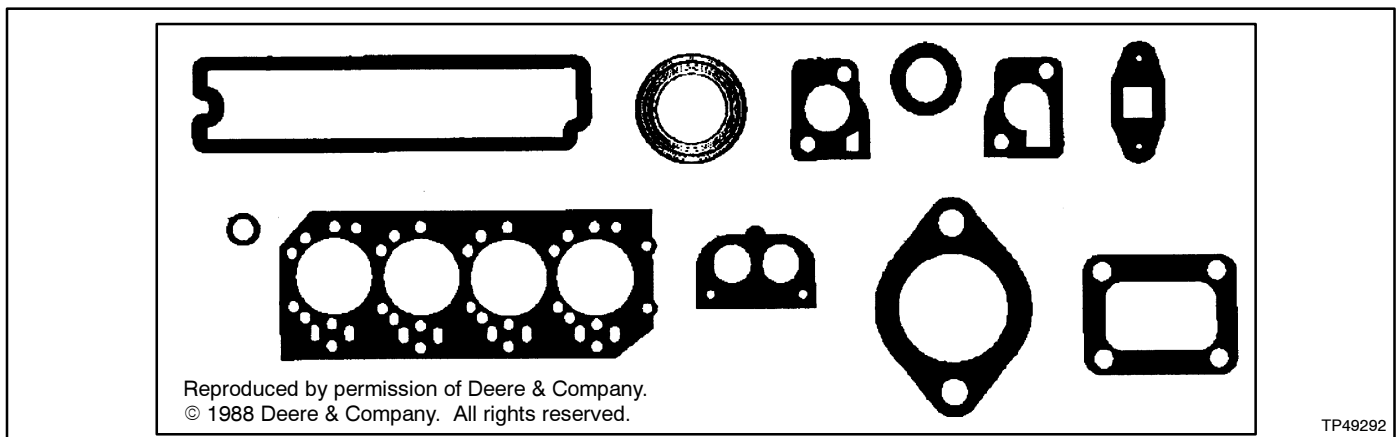
Group 39a: Cylinder Head Gasket Set



TP26212

Item	Part Number	Description	Quantity	
			Variation Number	
			1	2
1	223508	Gasket, rocker arm cover	1	1
2	223530	Gasket, cylinder head	1	1
3	223543	O-ring, valve stem	8	8
4	223491	O-ring, vent tube	1	1
5	224020	Gasket, thermostat housing	1	1
6	223547	Gasket, exhaust manifold	4	4
7	Not Used	Gasket, thermostat cover	1	1
8	223532	Gasket, air inlet	1	1
9	223556	Gasket, turbocharger outlet	1	1
10	223483	Gasket, turbocharger	1	1
11	X	Gasket, turbocharger	1	1
12	223600	Gasket kit, cylinder head	1	1

X Item not sold separately.

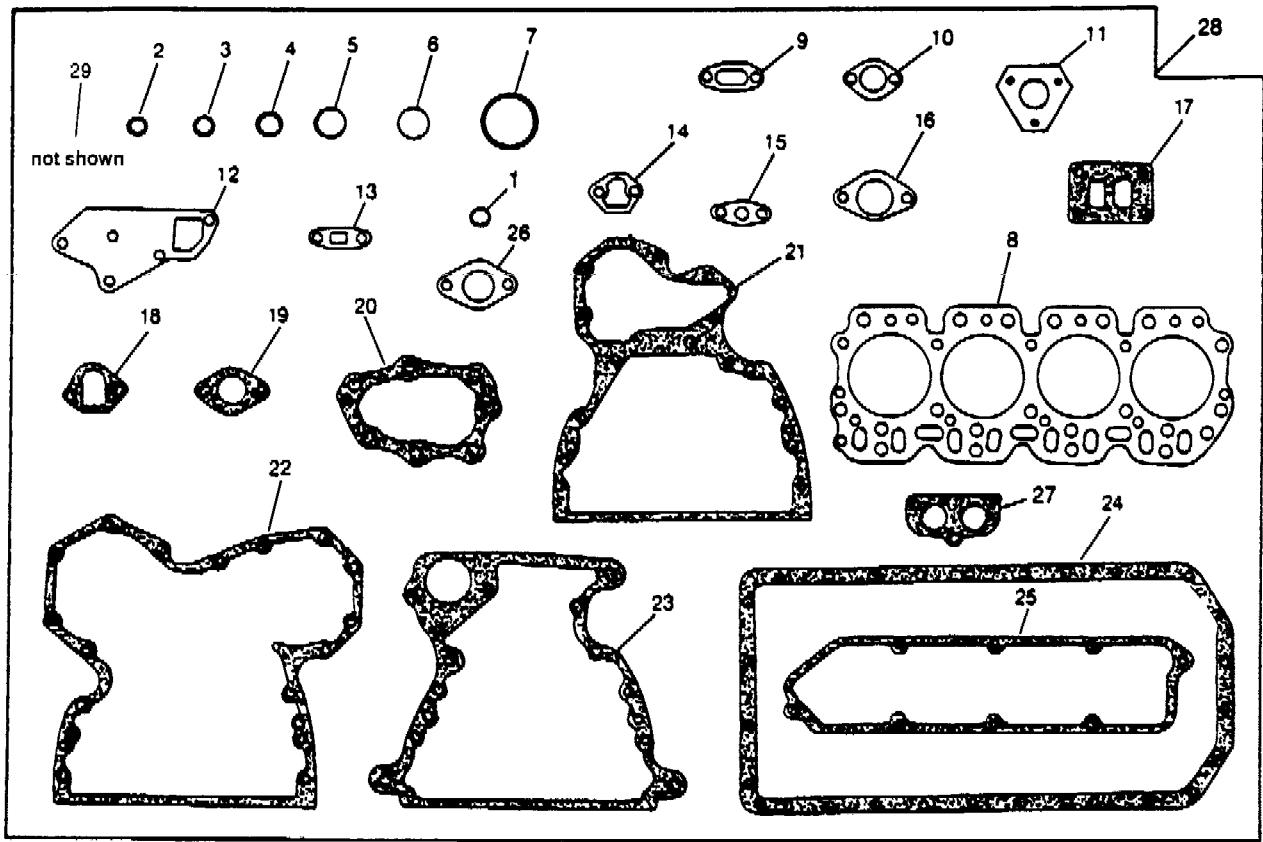


TP49292

Item	Part Number	Description	Quantity	
			Variation Number	
			9901	
1	360586	Gasket set, cylinder head	1	

Group 39b: Overhaul Gasket Kit

Items 30-34 are not shown.



Reproduced by permission of Deere & Company.
© 1988 Deere & Company. All rights reserved.

TP26471

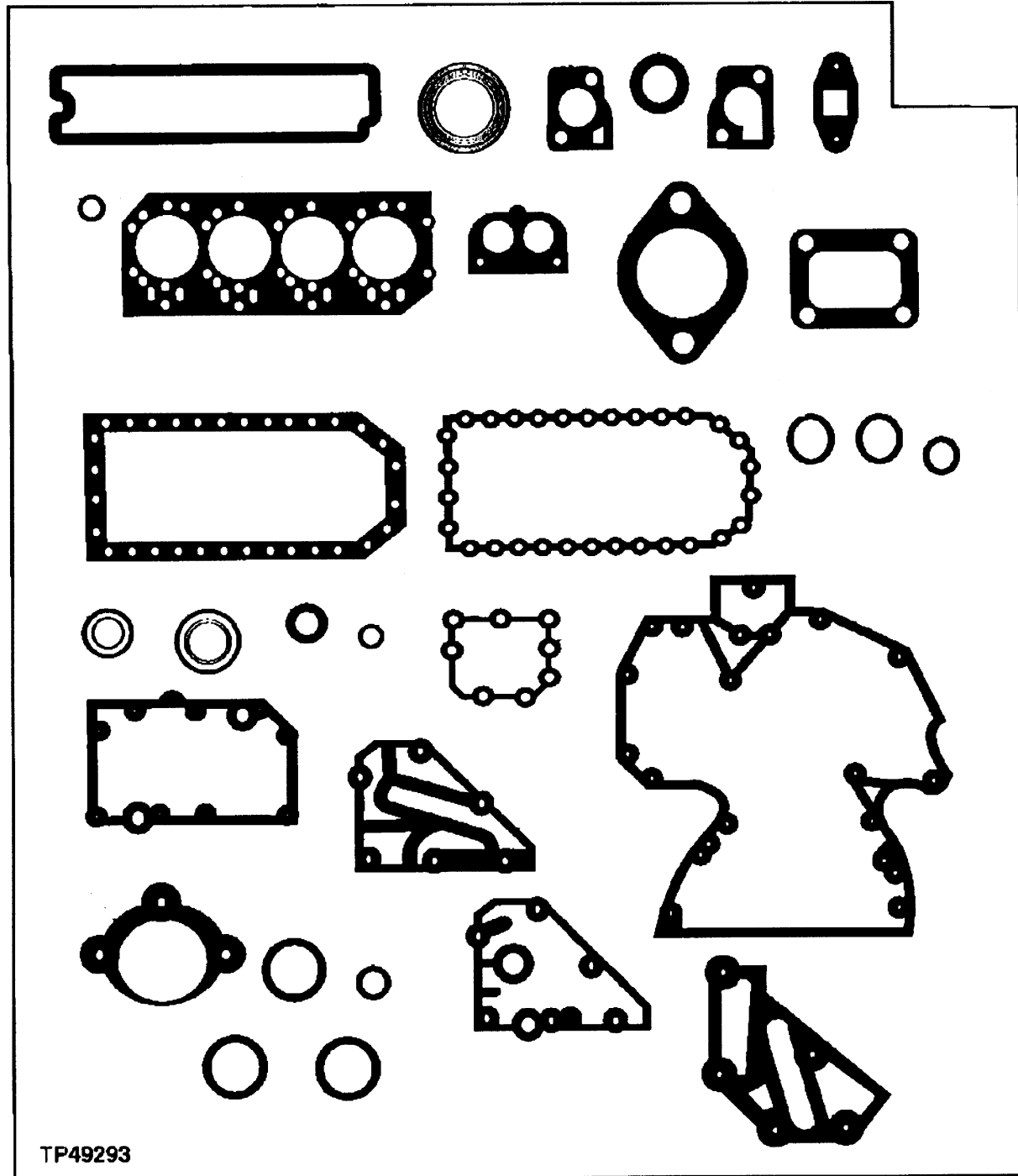
Item	Part No.	Description	Qty.	
			1	2
1	223543	O-ring, valve stem	8	8
2	Not Used	Washer, tach. drive shaft	1	1
3	223603	Washer, oil drain plug	1	1
4	223636	Gasket, oil filler cap	1	1
5	223491	O-ring, vent tube	1	1
6	223511	O-ring, oil pump tube outlet	1	1
7	223506	Washer, oil cooler	1	1
8	223530	Gasket, cylinder head	1	1
9	223556	Gasket, turbo oil outlet	1	1
10	223627	Gasket, thermostat housing	1	1
11	X	Gasket, fuel injection pump	1	1
12	223628	Gasket, water pump cover	1	1
13	223559	Gasket, oil filler inlet	1	1
14	223557	Gasket, fuel pump	1	1
15	X	Gasket, turbo oil inlet	1	1
16	223532	Gasket, air inlet	1	1
17	223483	Gasket, turbocharger	1	1
18	223515	Gasket, injection pump gear cover	1	1

Item	Part No.	Description	Qty.	
			1	2
19	223547	Gasket, exhaust manifold	4	4
20	224092	Gasket, timing gear cover	1	1
21	223548	Gasket, cylinder block plate	1	1
22	223620	Gasket, timing gear cover	1	1
23	223558	Gasket, flywheel housing	1	1
24	223555	Gasket, oil pan	1	1
25	223508	Gasket, oil pan	1	1
26	223626	Gasket, single thermo. cover	1	1
27	Not Used	Gasket, thermostat cover	1	1
28	223601	Gasket kit	1	1
29	223419	O-ring, cylinder liner	4	4
30	224277	Washer, F.I. nozzle (not shown)	4	4
31	224270	Washer, F.I. nozzle (not shown)	4	4
32	224261	Seal, oil, crankshaft (not shown)	4	4
33	223583	Seal, oil, crankshaft (not shown)	1	1
34	224020	Gasket, thermostat hsg. (not shown)	1	1

X Item not sold separately.

Note: For a complete set of gaskets, order items 28-33.

Group 39b: Overhaul Gasket Kit, continued

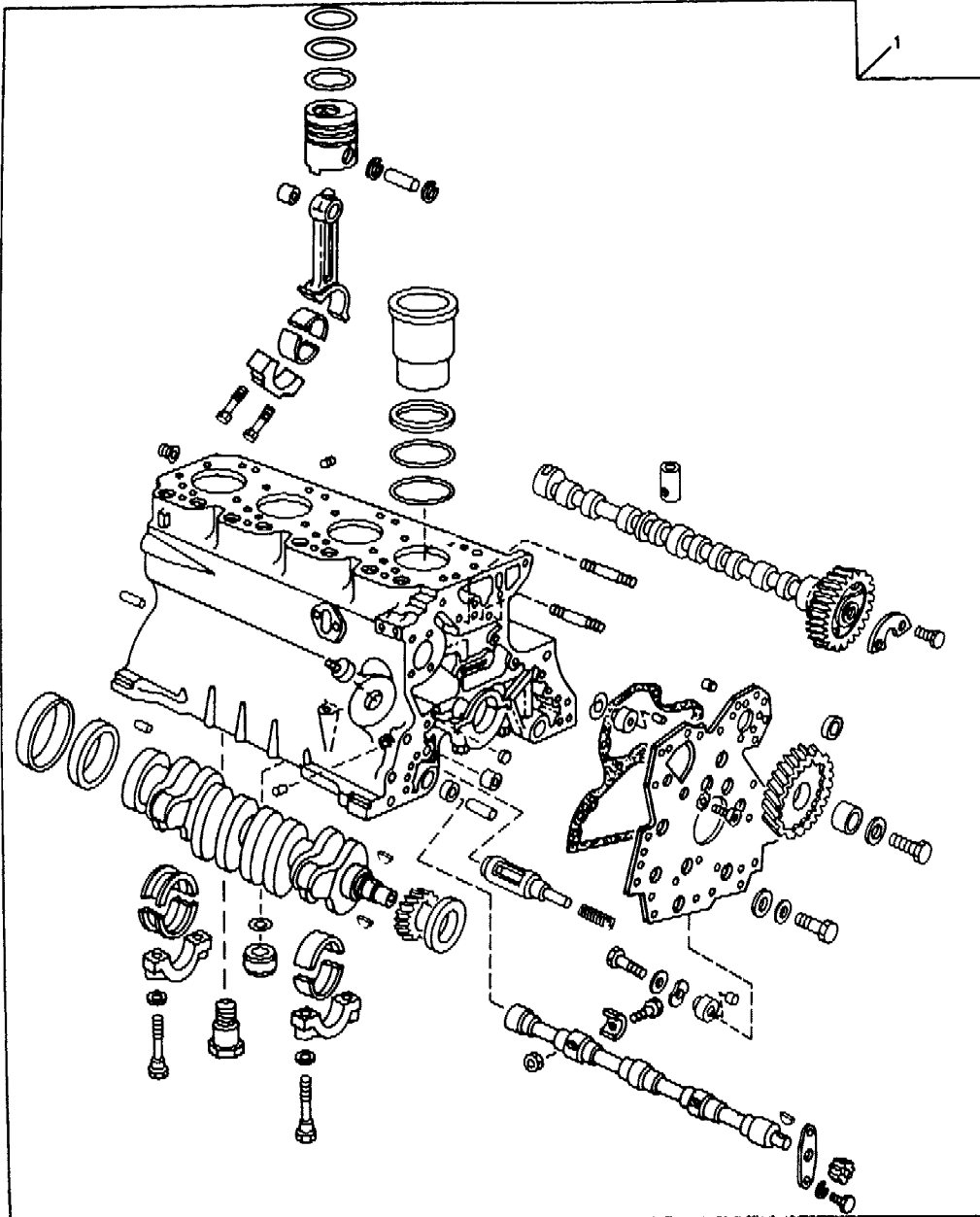


TP49293

Reproduced by permission of Deere & Company.
 © 1988 Deere & Company. All rights reserved.

Item	Part Number	Description	Quantity
			Variation Number 9901
1	360587	Overhaul gasket set	1

Group 42: Short Block



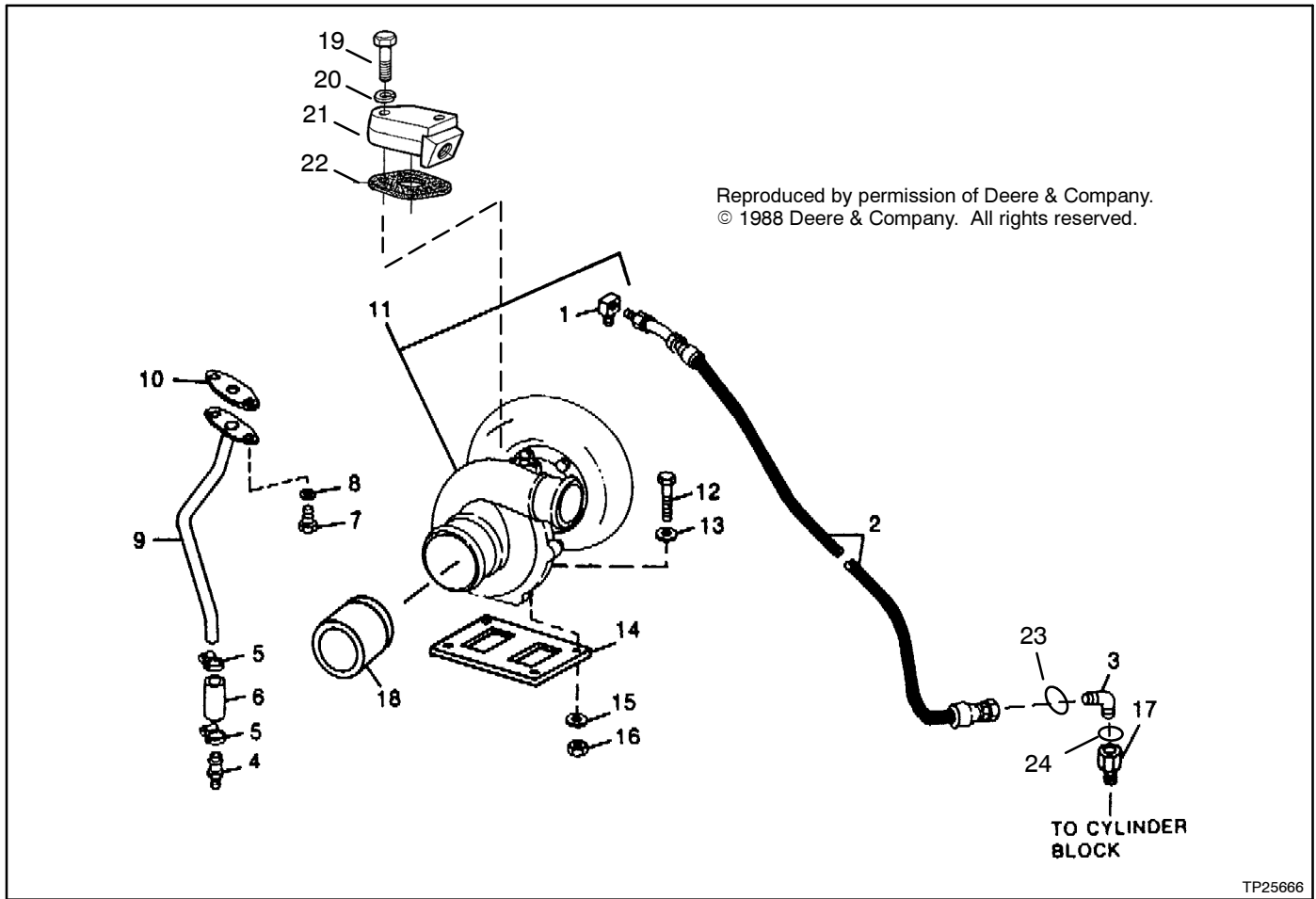
Reproduced by permission of Deere & Company.
 © 1988 Deere & Company. All rights reserved.

TP23754

Item	Part Number	Description	Quantity			
			Variation Number			
			1	2	3	4
1	223588	Block assembly, short	1			
1	360520	Block assembly, short		1		
1	360521	Block assembly, short			1	
1	GM17536	Block assembly, short				1

Note: Also order a front oil seal, rear oil seal, gasket kit, and balancer shafts.

Group 50a: Turbocharger and Oil Lines



Group 50a: Turbocharger and Oil Lines

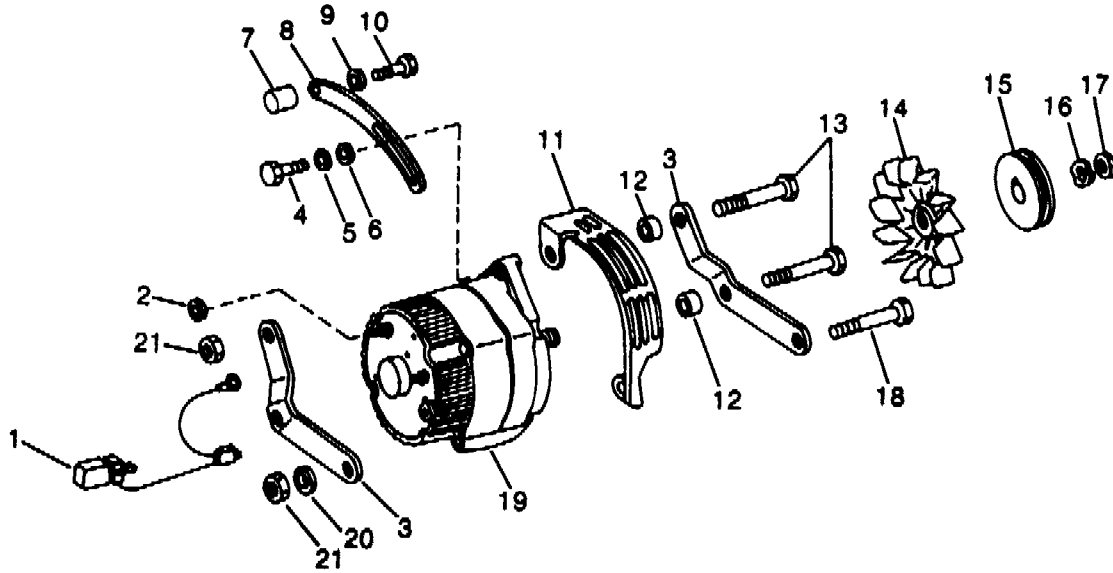
Item	Part Number	Description	Quantity					
			2	3	6524	65CQ	65CT	65DC
1	223602	Fitting, elbow	1					
1	336472	Fitting, elbow		1				
1	360006	Adapter			1	1	1	1
1	360165	O-ring			1	1	1	1
2	224326	Hose	1					
2	336473	Hose		1				
2	360026	Hose			1			
2	GM23842	Oil line				1	1	1
3	223412	Fitting, elbow	1					
3	223457	Fitting, elbow		1				
3	360556	Fitting, elbow			1	1	1	1
4	223641	Fitting, hose	1					
4	336474	Fitting, hose		1				
4	360102	Fitting, hose			1			
4	GM21492	Fitting, hose				1	1	1
5	336475	Clamp	2					
5	360062	Clamp			2	2	2	2
6	223531	Hose	1	1	1	1	1	1
7	#	Screw, cap, 3/8 x 7/8 in.	2	2				
7	#	Screw			2	2	2	2
8	#	Washer, lock, 3/8 in.	2	2				
9	223568	Line, oil	1					
9	336476	Line, oil		1				
9	360558	Line, oil			1	1	1	1
10	223757	Gasket, turbocharger outlet	1					
10	223556	Gasket, turbocharger outlet		1				
10	360136	Gasket, turbocharger outlet			1	1	1	1
11	223598	Turbocharger kit	1					
11	336471	Turbocharger kit		1				
11	360554	Turbocharger			1			
11	GM23854	Turbocharger				1		1
11	GM23853	Turbocharger					1	
11	X	Housing, turbocharger center	1	1				
11	X	Hardware, turbocharger	1	1				
12	#	Screw, 3/8-16 x 1 3/4 in. cap	4					
12	#	Screw, cap, 3/8 x 1 5/8 in.		4				
12	#	Screw, cap			4	4	4	4
13	#	Washer, 13/32 x 13/16 x .06	4					
14	223483	Gasket	1	1				
14	360137	Gasket			1	1	1	1
15	#	Washer, lock, 3/8 in.	4	4				
16	#	Nut	4	4				
17	223405	Adapter, 3/8 NPT	1					
17	336477	Tee		1				
18	223538	Adapter	1					
19	#	Screw, 5/16 x 2 in.		2				
20	#	Washer, 5/16 in.		2				
21	336478	Adapter		1				
22	336479	Gasket		1				
23	360555	O-ring			1	1	1	1
24	360557	O-ring			1	1	1	1

Common hardware, procure locally.

Note: Item 11 Turbocharger Kit includes item 1 in variations 2 and 3.

X Item not sold separately.

Group 51a: Alternator



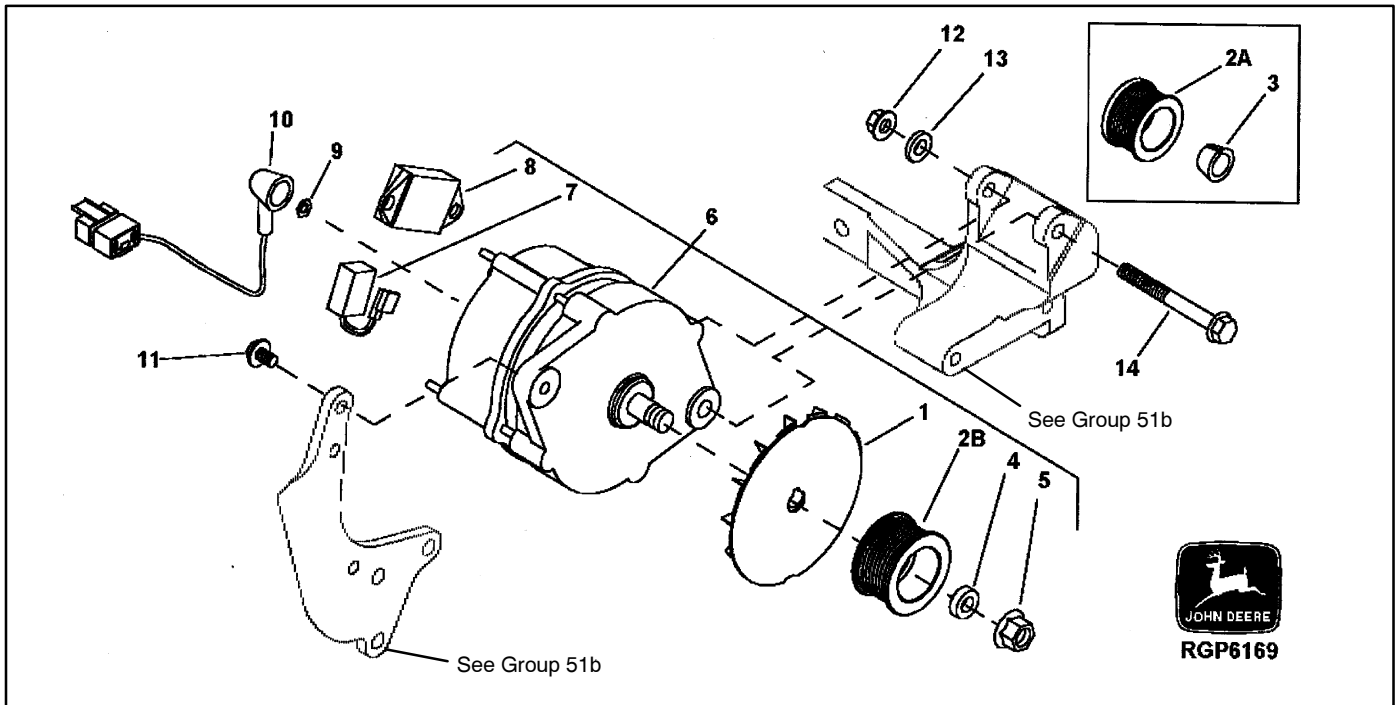
Reproduced by permission of Deere & Company.
 © 1988 Deere & Company. All rights reserved.

TP26822

Item	Part Number	Description	Quantity
			Variation Number
1	224235	Harness, wiring	1
2	#	Nut, lock, M6	1
3	224033	Bracket	2
4	#	Screw, M8 x 25	1
5	#	Washer, lock, 5/16 in.	1
6	#	Washer, 11/32 x 1 x 0.194 in.	1
7	#	Washer, 0.493 x 0.675 x 1/4 in.	1
8	223625	Strap	1
9	#	Washer, 3/8 in. lock	2
9	#	Washer, 13/32 x 23/32 x 0.120 in.	3
10	#	Screw, 3/8-16 x 1 7/8 in.	1
11	223485	Shield	1
12	#	Spacer, 3/8 x 7/16 in.	2
13	#	Screw, 3/8-16 x 3 in.	2
14	224282	Fan	1
15	224283	Sheave, pulley	1
16	224331	Washer	1
17	224269	Nut	1
18	#	Screw, cap, M10 x 75	1
19	224244	Alternator (12 V)	1
19	336915	Alternator (24 V)	1
20	#	Washer, M10	1
21	#	Nut, M10	1

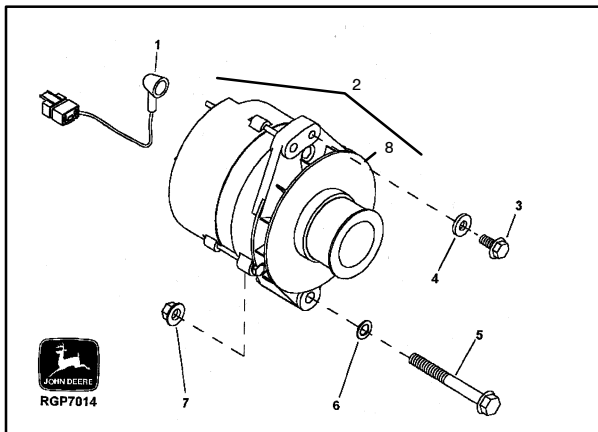
Common hardware, procure locally.

Group 51a: Alternator, continued



Item	Part Number	Description	Quantity	
			Variation Number 3109	Variation Number 3104
1	360588	Fan	1	1
2A	360168	Sheave, pulley	1	1
2B	GM17485	Sheave, pulley	1	1
3	360169	Bushing	1	1
4	GM18719	Washer	1	1
5	#	Nut, M10	1	1
6	360001	Alternator, 12 V	1	
6	360002	Alternator, 24 V		1
7	360589	Capacitor	1	1
8	360591	Regulator, voltage	1	
8	360590	Regulator, voltage		1
9	#	Nut, M5	1	1
10	GM17525	Connector	1	1
11	#	Screw, M8 x 28	1	1
12	#	Nut, flange, M10	1	1
13	360166	Washer, 13/32 x 11/16 x 0.036 in.	1	1
14	#	Screw, M10	1	1

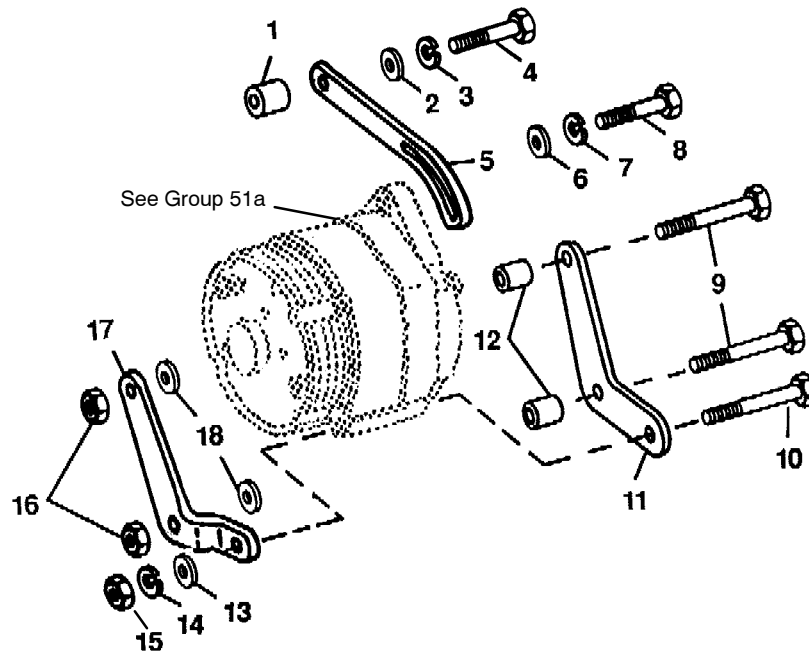
GM17528



Item	Part Number	Description	Quantity
			Variation Number 3122
1	GM21518	Harness, wiring	1
2	GM23850	Alternator (includes item 8)	1
3	#	Screw	1
4	#	Washer	1
5	#	Screw, M10 x 100	1
6	#	Nut, flange	1
7	360166	Washer	1
8	360588	Fan	1

Common hardware, procure locally.

Group 51b: Alternator Brackets



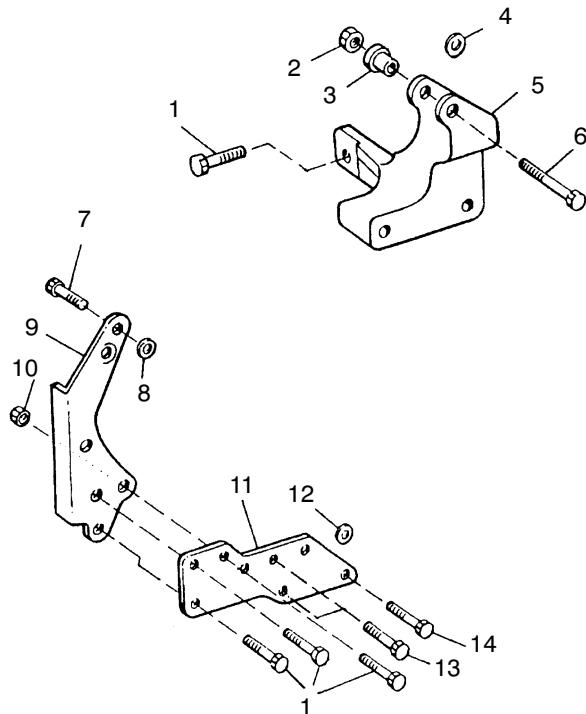
Reproduced by permission of Deere & Company.
 © 1988 Deere & Company. All rights reserved.

TP26846
 (was TP25660)

Item	Part Number	Description	Quantity
			Variation Number
1	Not Used		1
2	#	Washer, 13/32 x 23/32 x 0.120 in.	1
3	#	Washer, lock, 3/8 in.	1
4	#	Screw, cap, 3/8-16 x 2 1/4 in.	1
5	223625	Strap	1
6	#	Washer, 11/32 x 1 x 0.194 in.	1
7	#	Washer, lock, 5/16 in.	1
8	#	Screw, M8 x 25	1
9	#	Screw, 3/8-16 x 3 1/2 in.	2
10	#	Screw, M10 x 75	1
11	223624	Bracket	1
12	#	Spacer, 0.423 x 0.675 x 1 in.	2
13	#	Washer, 11/32 x 7/8 x .06 in.	1
14	#	Washer, lock, M10	1
15	#	Nut, M10	1
16	#	Nut, 3/8 in.	2
17	223500	Bracket	1
18	#	Washer, 13/32 x 23/32 x 0.12 in.	2

Common hardware, procure locally.

Group 51b: Alternator Brackets, continued



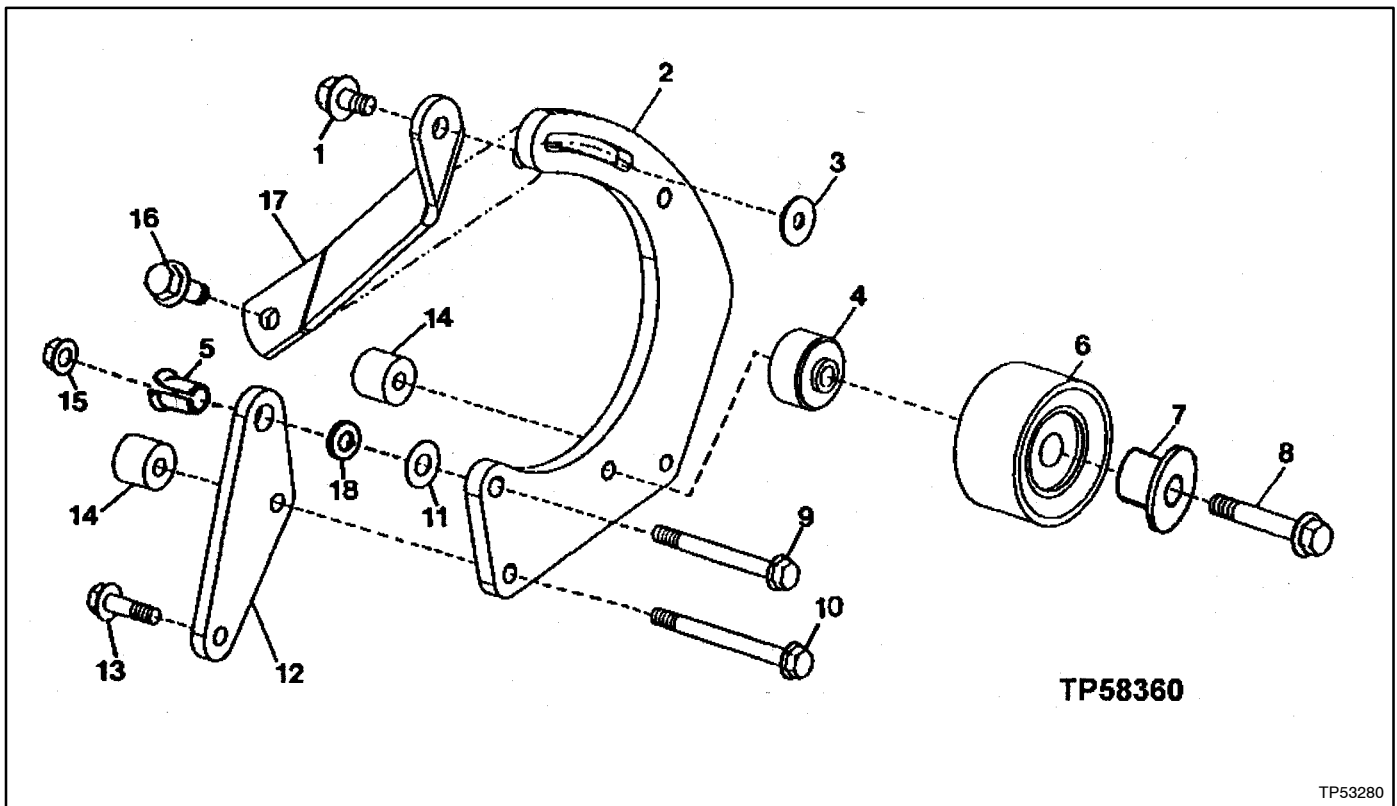
Reproduced by permission of Deere & Company.
© 1988 Deere & Company. All rights reserved.

TP53280

Item	Part Number	Description	Quantity
			Variation Number 6203
1	#	Screw, M10 x 30	5
2	#	Nut, flange, M10	1
3	360076	Bushing	1
4	360166	Washer, thrust	1
5	360150	Bracket	1
6	#	Screw, M10 x 100	1
7	#	Screw, M8 x 25	1
8	#	Washer, 8.128 x 15.748 x 3.937 mm	1
9	360156	Bracket	1
10	#	Nut, flange, M10	3
11	360155	Support	1
12	#	Washer	1
13	#	Screw, M10 x 25	2
14	#	Screw, M8 x 60	2

Common hardware, procure locally.

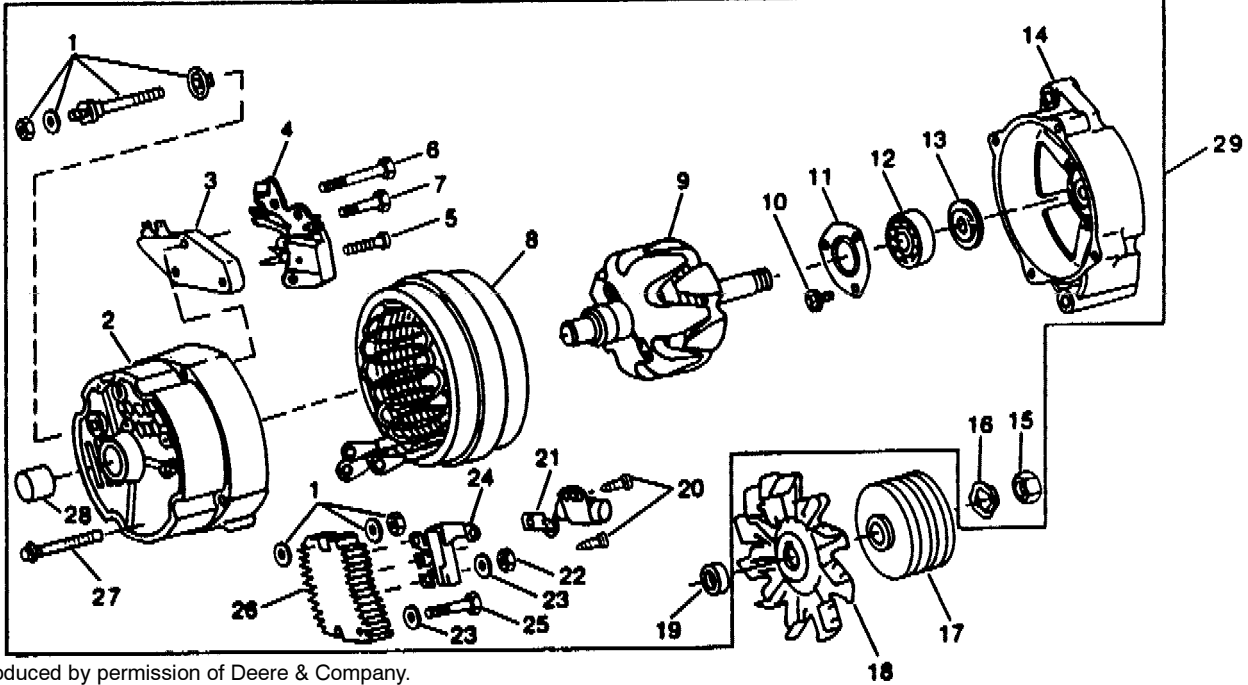
Group 51b: Alternator Brackets, continued



Item	Part Number	Description	Quantity	
			6211	6212
1	#	Screw, M10 x 16	1	1
2	GM23833	Bracket	1	1
3	#	Washer, 8.4 x 24 x 2 mm	1	1
4	GM23835	Spacer	1	1
5	GM23838	Bushing	1	1
6	352836	Pulley	1	1
7	GM17488	Sleeve	1	1
8	#	Screw, M10 x 60	1	1
9	#	Screw, M8 x 80	1	1
10	#	Screw, M8 x 100	1	1
11	—	Not applicable		
12	GM23834	Bracket	1	1
13	#	Screw, M8 x 30	1	1
14	GM23832	Spacer	2	
14	GM23837	Spacer		2
15	#	Nut, flange, M8	1	1
16	#	Screw, M10 x 25	1	1
17	GM23836	Bracket	1	1
18	#	Washer, 13/32 x 11/16 x 0.036 in.	1	1

Common hardware, procure locally.

Group 51c: Alternator Components



Reproduced by permission of Deere & Company.
© 1988 Deere & Company. All rights reserved.

TP26835

Item	Part Number	Description	Quantity
			Variation Number
1	X	Terminal	1
2	X	Housing	1
3	X	Regulator, voltage	1
4	X	Holder, carbon brush	1
5	X	Screw	1
6	X	Screw	1
7	X	Screw	2
8	X	Stator, 78 amp	1
9	X	Rotor	1
10	#	Screw, #10 x 1/2 in.	3
11	X	Retainer	1
12	X	Bearing	1
13	X	Shim	1
14	X	Housing	1
15	X	Nut	1
16	X	Washer	1
17	224283	Sheave, pulley, single groove	1
18	224282	Fan	1
19	X	Washer, outer	1
20	#	Screw, #8 x 5/8 in.	2
21	X	Capacitor	1
22	#	Nut, .164 in.	3
23	#	Washer, #8	3
24	X	Diode, trio, negative	1
25	#	Screw, #8 x 7/8 in.	1
26	X	Rectifier, bridge, positive	1
27	X	Bolt	4
28	X	Bearing, roller	1
29	224244	Alternator (w/voltage regulator and fan)	1

Common hardware, procure locally.
X Item not sold separately.

