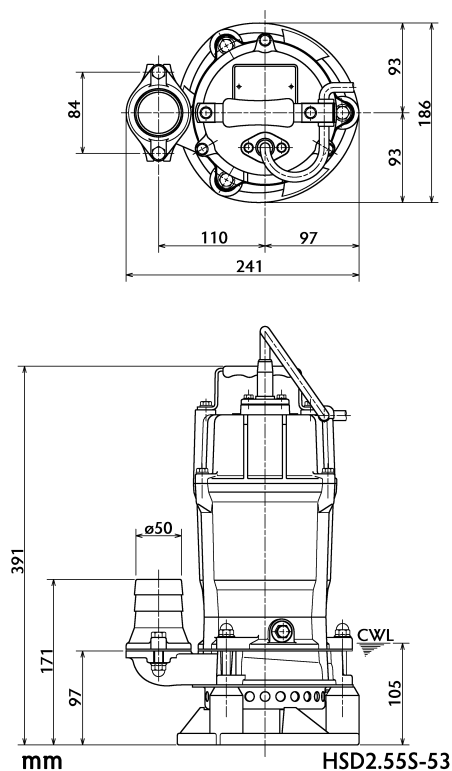
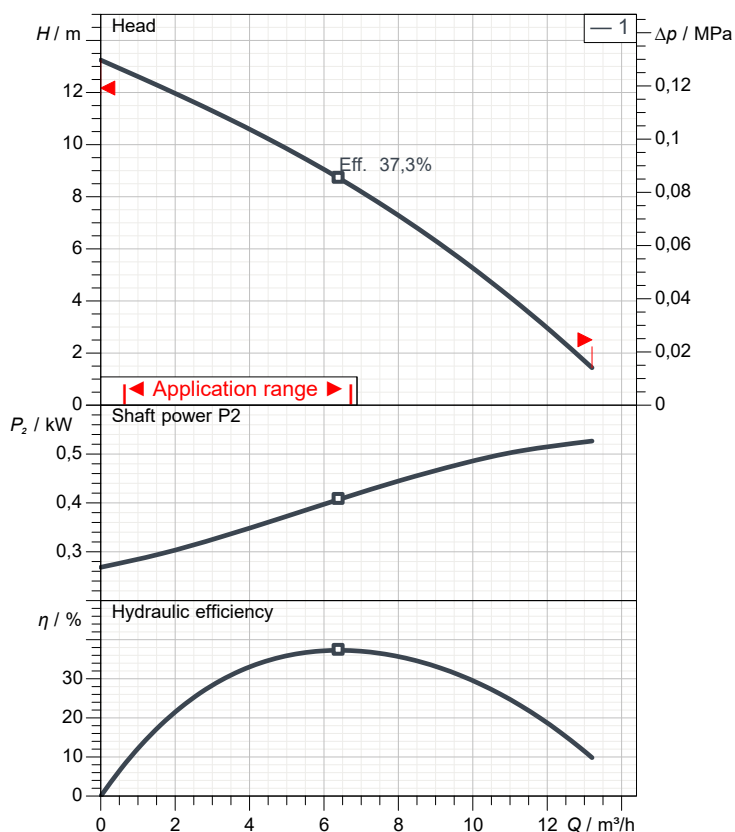


Data sheet HSD2.55S-53



CWL: Continuous running water level



Specification

Electric submersible pump HSD-series
 Degree of protection IP 68
 Pressure resistance max. 10 m
 Type of impeller semi-vortex
 Max. solid handling 10 mm
 Suitable for:
 sand carrying water, sludge, bentonite

Electric motor

Dry-type submersible induction motor
 Insulation class E 2Poles 2.810 1/min
 Starting mode
 Rated voltage 230 V 50 Hz 1~
 Power uptake 0,60 kW
 Rated power 0,55 kW
 Rated current 3,15 A
 Start current 9,5 A

Cable

10m H07RN8-F 3Cx1mm²

Motor Protection

Circle thermal protector
 (snap-action bi-metal device)

Shaft seal

Double inside mechanical seal in oil bath
 additional lubrication by oil lifting device
 Primary seal
 Silicon carbide on silicon carbide
 Secondary seal
 Carbon on ceramic

Bearings

Shielded ball bearings, maintenance-free

Materials

Impeller	Chromium iron casting
Agitator	Chromium iron casting
Pump casing	FCD700 (EN-GJS-700-2)
Motor Frame	Aluminium die casting
Shaft	SUS403 (EN-X6Cr13)

Discharge size

2" (50mm) BS-Coupling (threaded flange)

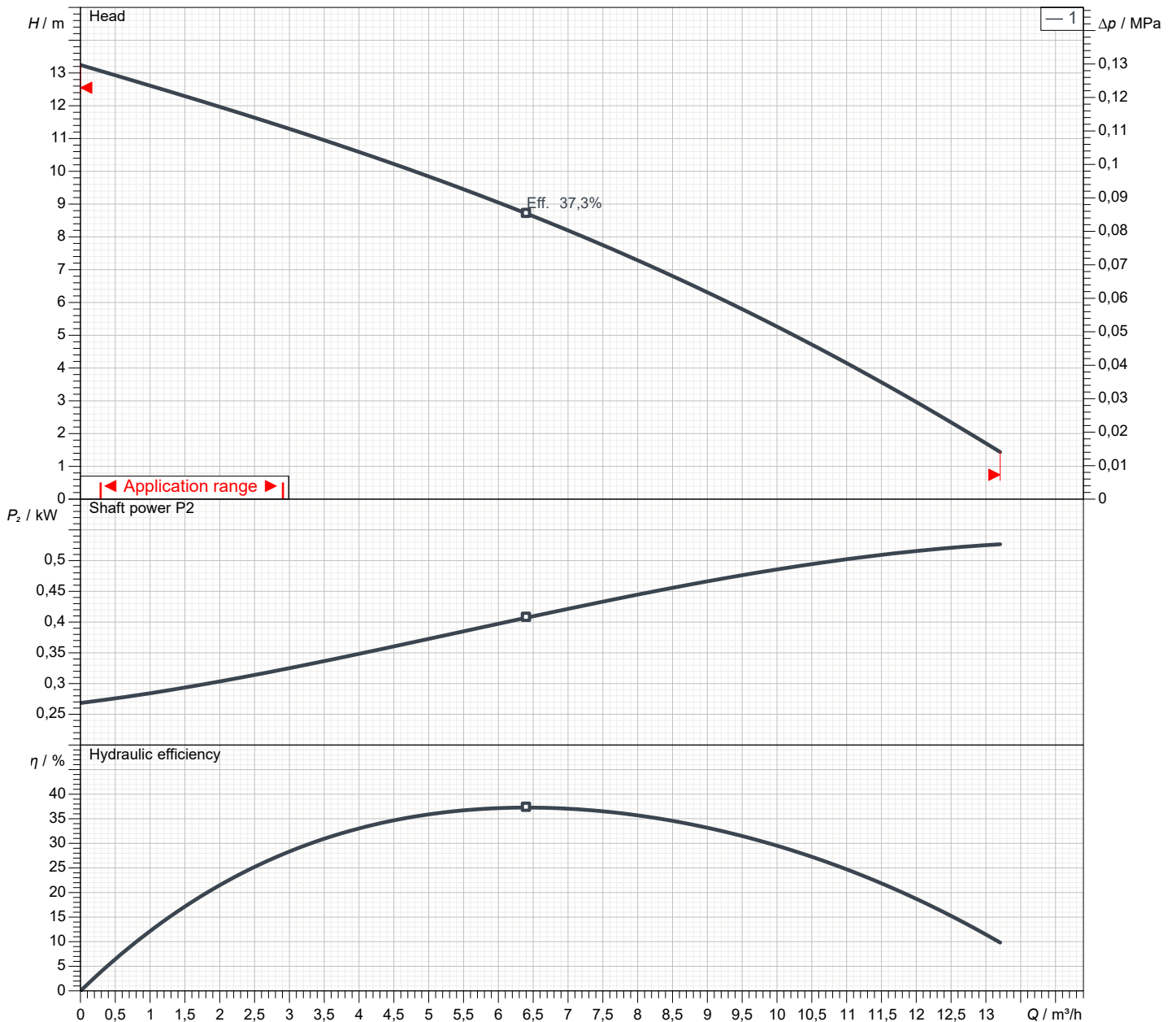
Weight

14 kg (dry weight of the pump only without cable)

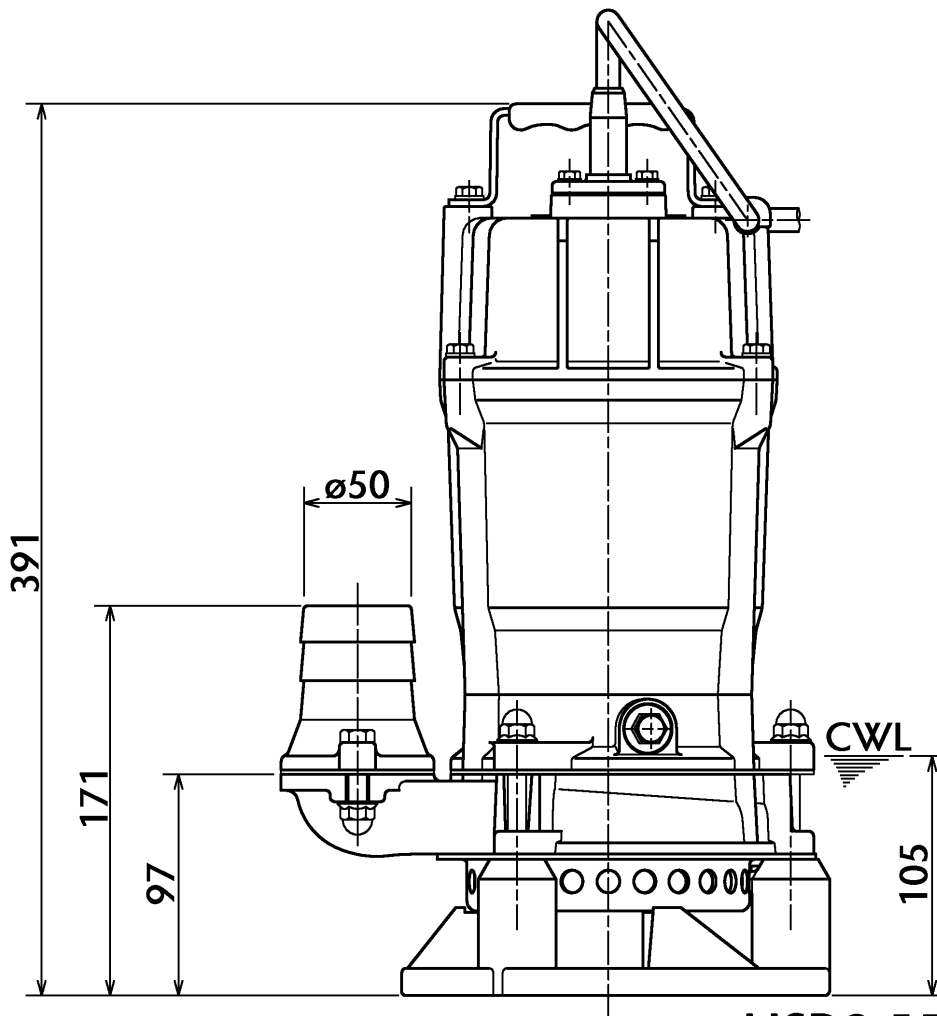
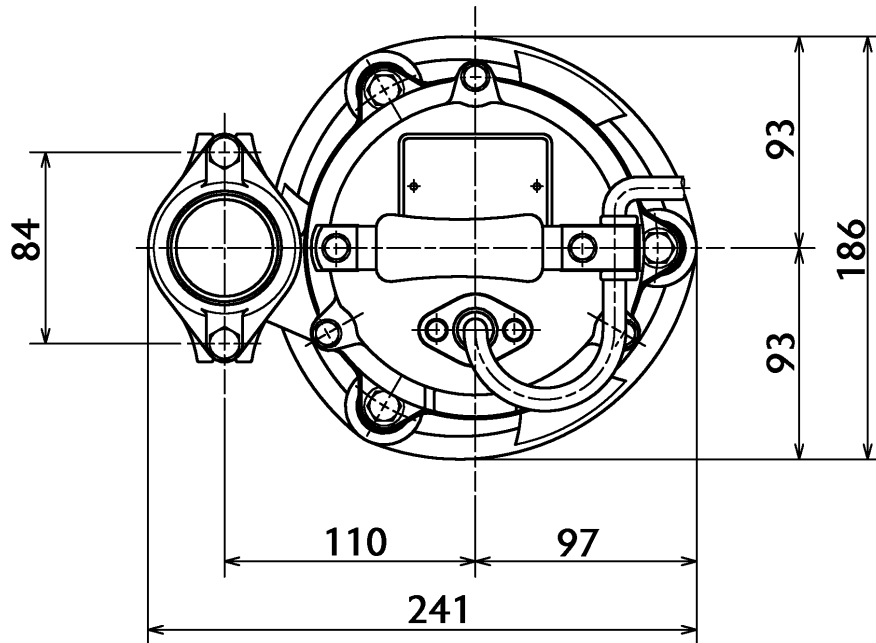
Performance curve

HSD2.55S-53

Discharge port	2"
Head	13,2 m
Flow	13,2 m ³ /h
Rated power	0,55 kW
Power input	0,60 kW
Phases	1~
Voltages	230 V
Frequency	50 Hz
Rated current	3,15 A
Starting current	9,54 A
Number of poles	2
Speed	2.810 1/min
Starting mode	
Insulation class	E



Dimensions HSD2.55S-53

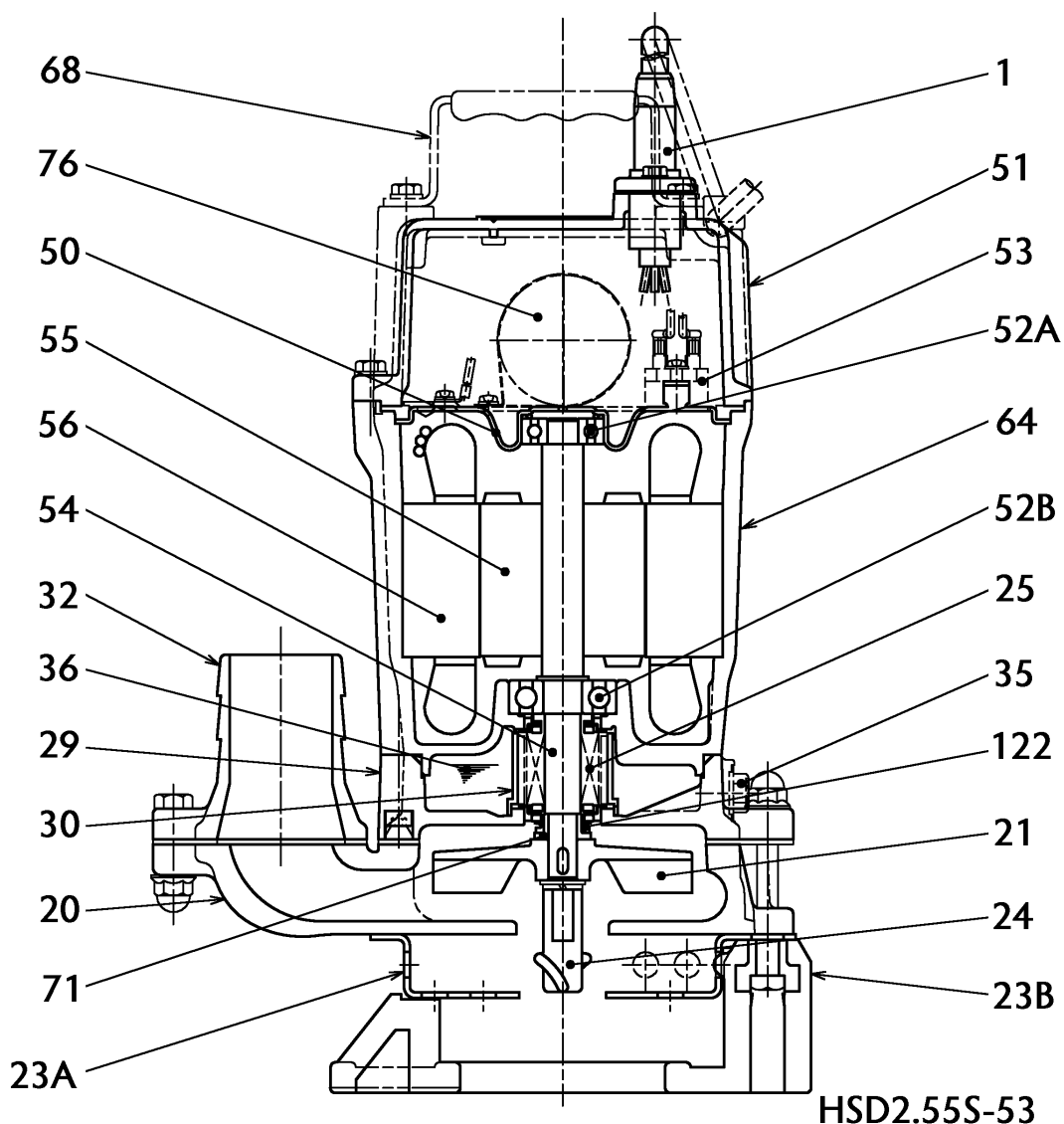


mm

HSD2.55S-53

CWL: Continuous running water level
LWL: Lowest running water level

Sectional drawing HSD2.55S-53



No.	Description	Remark	No.	Description	Remark
1	Cable	H07RN-F3Cx1mm=x10m	53	Motor Protector 380/400/415V-50Hz.KA314-HRXL00 (H.C)	
20	Pump casing	FCD700 (EN-GJS-700-2)	54	Shaft	SUS403 (EN-X6Cr13)
21	Impeller	Chromium iron casting	55	Rotor	.
23A	Strainer	DIN 1.0040 + steelplate	56	Stator	.
23B	Stand support	PVC	64	Motor Frame	Aluminium die casting
24	Agitator	Chromium iron casting	68	Handle	Steel plate / natural rubber
25	Mechanical seal	W-14VL	71	Shaft protection sleeve	SUS304 (EN-X5CrNi18-10)
29	Oil casing	FC200 (EN-GJL-200)	76	Condenser	.
30	Oil distributor	Plastic	122	V-ring	Butadiene-acrylonitrile-rubber
32	Discharge coupling	Aluminium die casting			
35	Oil screw	SUS304 (EN-X5CrNi18-10)			
36	Lubricant	Turbine oil (ISO VG32)			
50	Motor cover	Steel plate			
51	Main cover	Aluminium die casting			
52A	Upper bearing	6201ZZC3			
52B	Lower bearing	6302ZZC3			