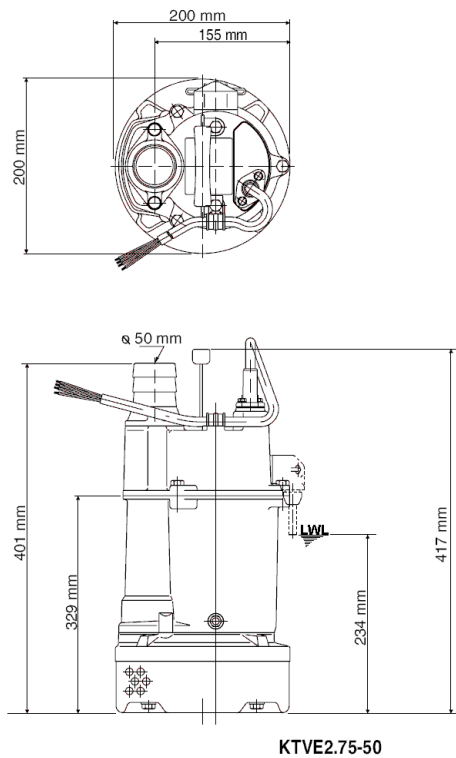
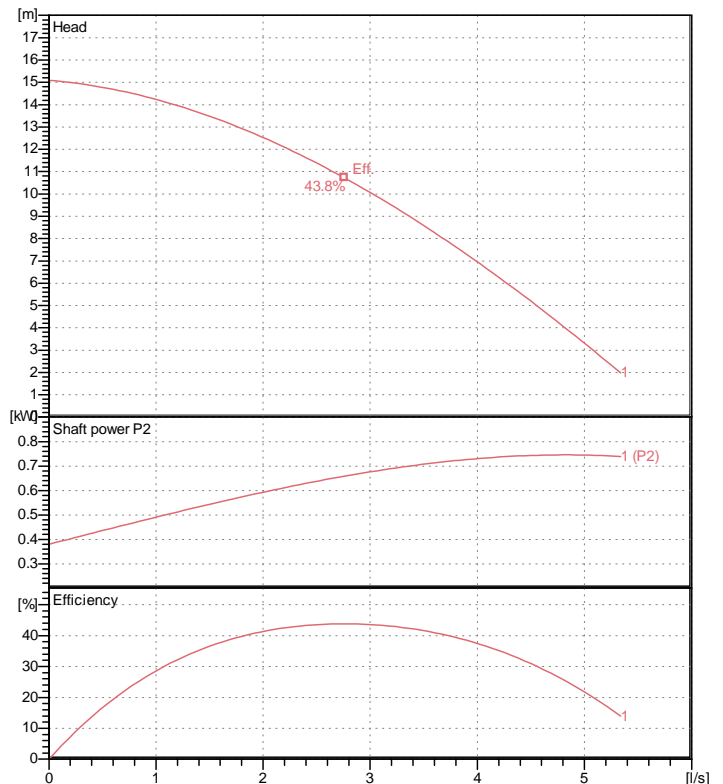


# Data sheet KTVE2.75-50



KTVE2.75-50

CWL: Continuous running water level



## Specification

Automatic electric submersible pump  
 Degree of protection IP 68  
 Depth of submersion max. 10 m  
 Type of impeller semi-vortex  
 Max. solid handling 6 mm  
 Suitable for:  
 rain water, ground water, sand water

## Electric motor

Dry-type submersible induction motor  
 Insulation class E 2Poles 2780 1/min  
 Starting mode Directly  
 Rated voltage 400 V 50 Hz 3~  
 Power uptake 1.16 kW  
 Rated power 0.75 kW  
 Rated current 1.8 A  
 Start current 9.0 A

## Cable

10m NSSHÖU 4Cx1,5mm<sup>2</sup>

## Motor Protection

Circle thermal protector  
 (snap-action bi-metal device)

## Shaft seal

Double inside mechanical seal in oil bath  
 additional lubrication by oil lifting device  
 Primary seal  
 Silicon carbide on silicon carbide  
 Secondary seal  
 Carbon on ceramic

## Bearings

Shielded ball bearings, maintenance-free

## Materials

|             |                           |
|-------------|---------------------------|
| Impeller    | Urethane rubber           |
| Pump casing | Butadiene-/nitrile-rubber |
| Motor Frame | Aluminium alloy casting   |
| Shaft       | SUS420J2 (EN-X30Cr13)     |

## Discharge size

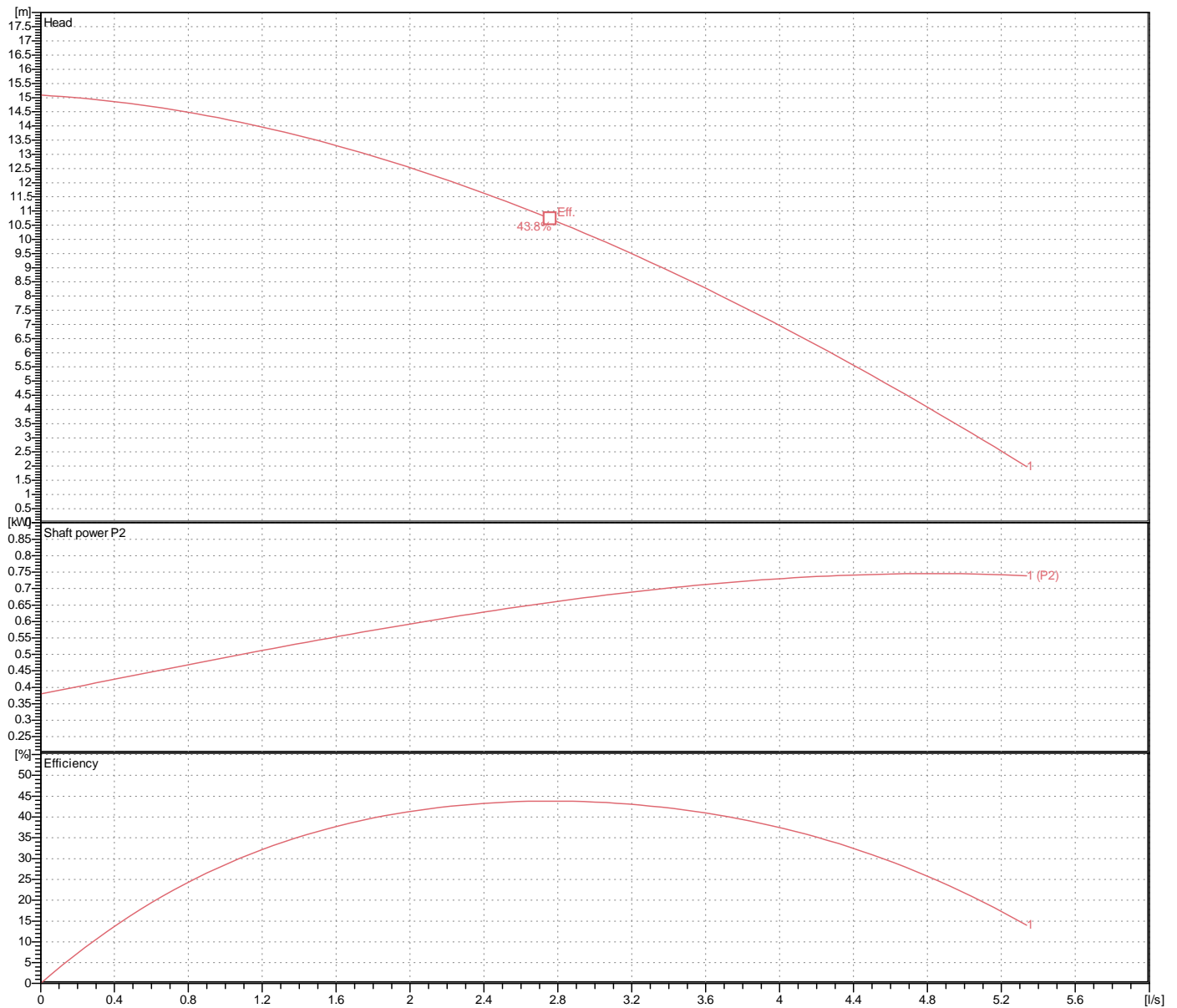
2" (50mm) BS-Coupling (threaded flange)

## Weight

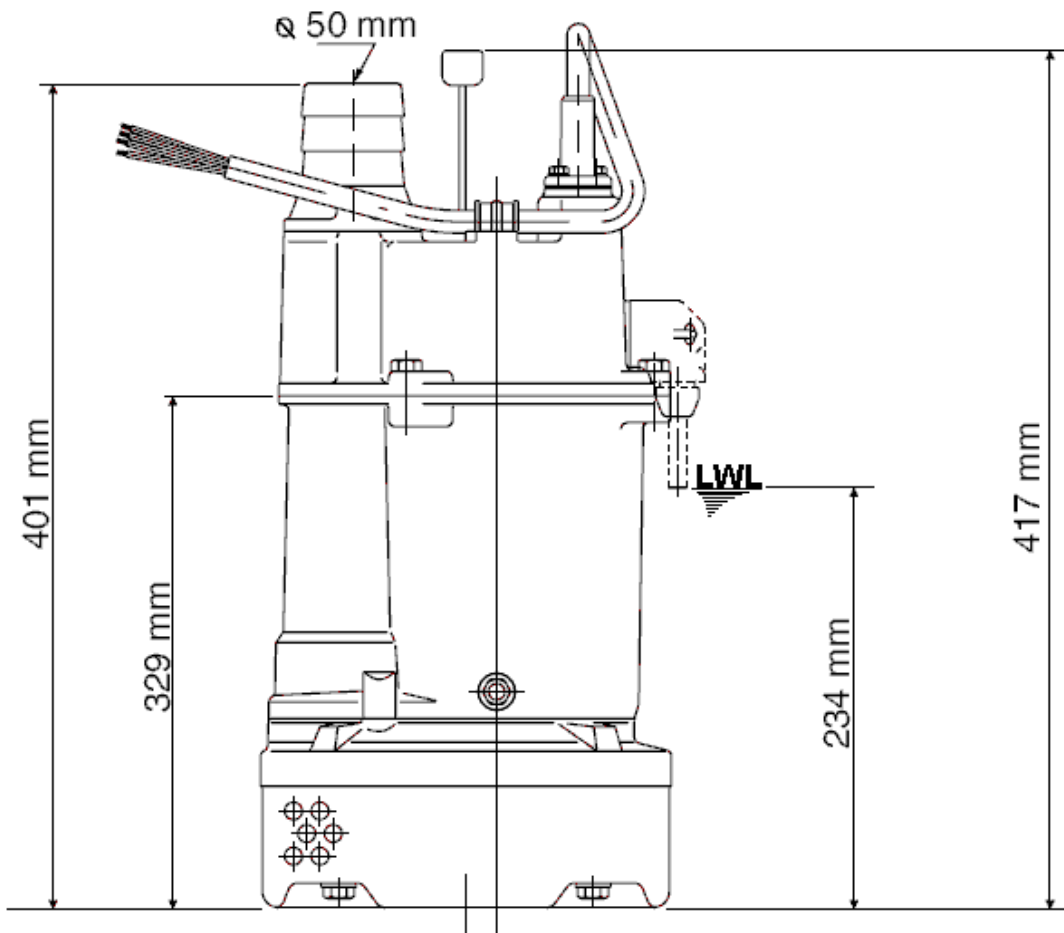
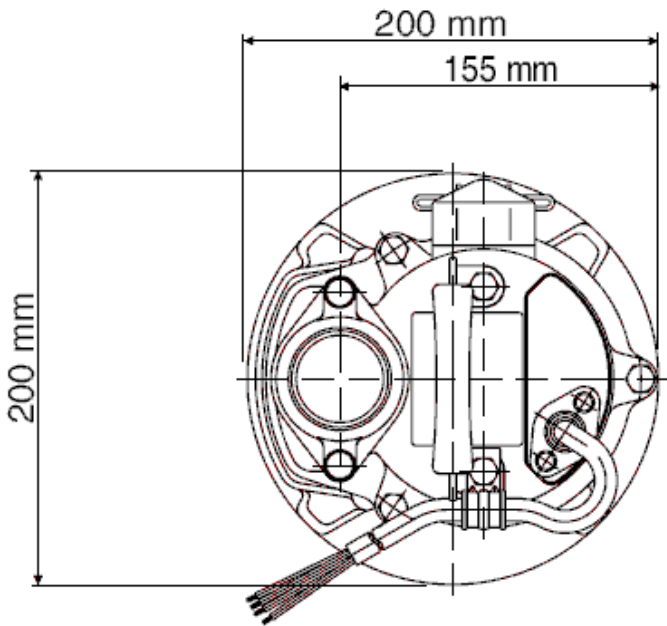
12.7 kg (dry weight of the pump only without cable)

# Performance curve KTVE2.75-50

|                  |            |
|------------------|------------|
| Discharge port   | 2"         |
| Head             | 15.1 m     |
| Flow             | 5.3 l/s    |
| Rated power      | 0.75 kW    |
| Power input      | 1.16 kW    |
| Phases           | 3~         |
| Voltages         | 400 V      |
| Frequency        | 50 Hz      |
| Rated current    | 1.8 A      |
| Starting current | 9.00 A     |
| Number of poles  | 2          |
| Speed            | 2780 1/min |
| Starting mode    | Directly   |
| Insulation class | E          |



# Dimensions KTVE2.75-50

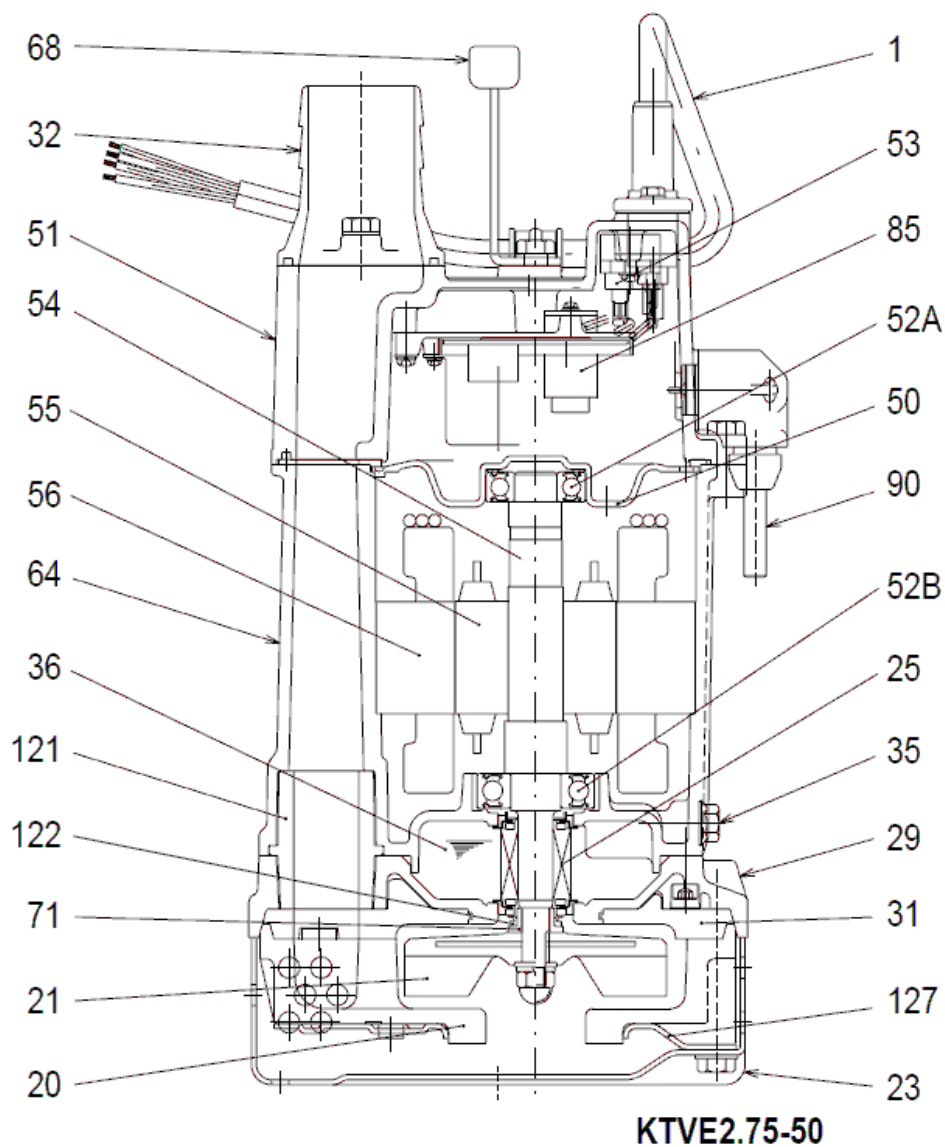


**KTVE2.75-50**

CWL: Continuous running water level

LWL: Lowest running water level

# Sectional drawing KTVE2.75-50



| No. | Description                  | Remark                   | No. | Description             | Remark                                   |
|-----|------------------------------|--------------------------|-----|-------------------------|--|
| 1   | Cable                        | 20m NSSHÖU               | 55  | Rotor                   | .  |
| 20  | Pump casing                  | Butadiene/nitrile-rubber | 56  | Stator                  | .  |
| 21  | Impeller                     | Urethane rubber          | 64  | Motor Frame             | Aluminium alloy casting                  |
| 23  | Strainer                     | Steel plate              | 68  | Handle                  | Steelplate + butadieneacrylnitrilerubber |
| 25  | Mechanical seal              | W-14VL                   | 71  | Shaft protection sleeve | SUS304 (EN-X5CrNi18-10)                  |
| 29  | Oil casing                   | Aluminium alloy casting  | 85  | Relais                  | .  |
| 31  | Attrition plate              | Butadiene/nitrile-rubber | 90  | Electrode               | .  |
| 32  | Discharge coupling           | Aluminium alloy casting  | 121 | Wear protection         | Styrene-butadiene-rubber                 |
| 35  | Oil screw                    | SUS304 (EN-X5CrNi18-10)  | 122 | V-ring                  | Butadieneacrylnitrilerubber              |
| 36  | Lubricant                    | Turbine oil (ISO VG32)   | 127 | Pressure plate          | Steel plate                              |
| 50  | Motor cover                  | Steel plate              |     |                         |  |
| 51  | Main cover                   | Aluminium alloy casting  |     |                         |  |
| 52A | Upper bearing                | 6203ZZC3                 |     |                         |  |
| 52B | Lower bearing                | 6204ZZC3                 |     |                         |  |
| 53  | Motor Protector 380/400/415V | 50Hz KA314-HRXL00 (H.C)  |     |                         |  |
| 54  | Shaft                        | SUS420J2 (EN-X30Cr13)    |     |                         |  |