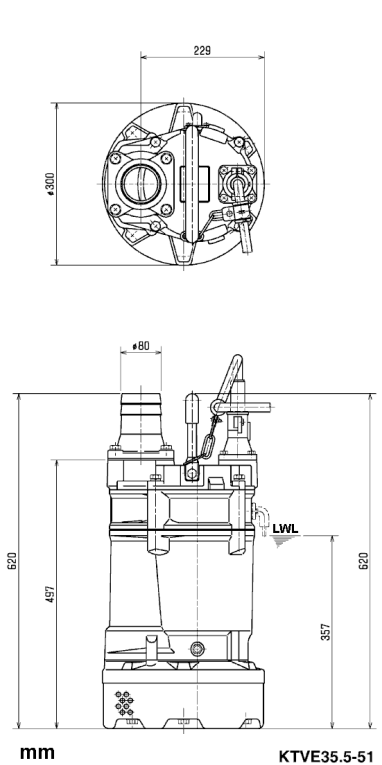
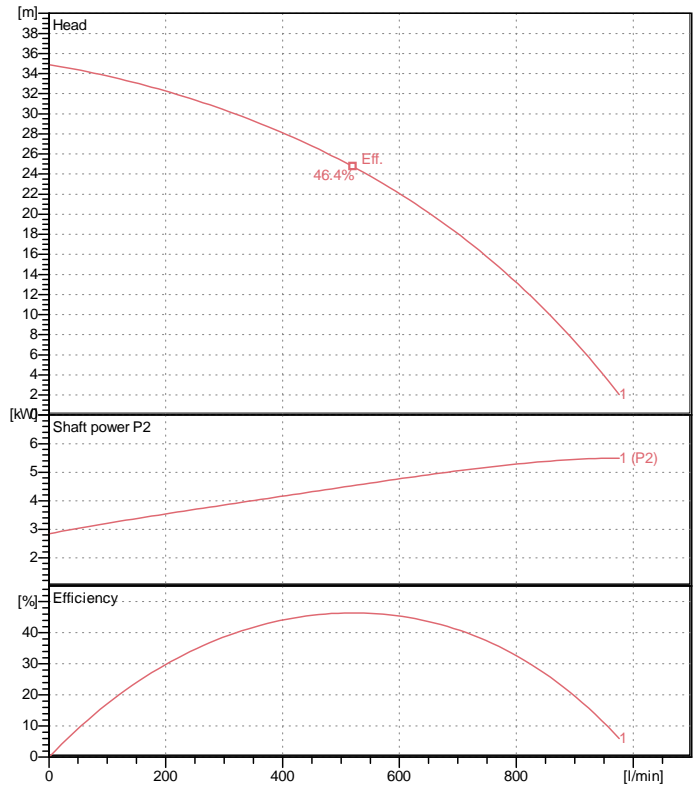


# Data sheet KTVE35.5-51



CWL: Continuous running water level



## Specification

Automatic electric submersible pump  
 Degree of protection IP 68  
 Depth of submersion max. 25 m  
 Type of impeller semi-vortex  
 Max. solid handling 8.5 mm  
 Suitable for:  
 rain water, ground water, sand water

## Electric motor

Dry-type submersible induction motor  
 Insulation class E 2Poles 2870 1/min  
 Starting mode Directly  
 Rated voltage 400 V 50 Hz 3~  
 Power uptake 7.05 kW  
 Rated power 5.50 kW  
 Rated current 11 A  
 Start current 65.0 A

## Cable

20m NSSHÖU 4Cx2,5mm<sup>2</sup>

## Motor Protection

Circle thermal protector  
 (snap-action bi-metal device)

## Shaft seal

Double inside mechanical seal in oil bath  
 additional lubrication by oil lifting device  
 Primary seal  
 Silicon carbide on silicon carbide  
 Secondary seal  
 Silicon carbide on carbon

## Bearings

Shielded ball bearings, maintenance-free

## Materials

Impeller	FCD700 (EN-GJS-700-2)
Pump casing	BR + Natural Rubber
Motor Frame	Aluminium die casting
Shaft	SUS403 (EN-X6Cr13)

## Discharge size

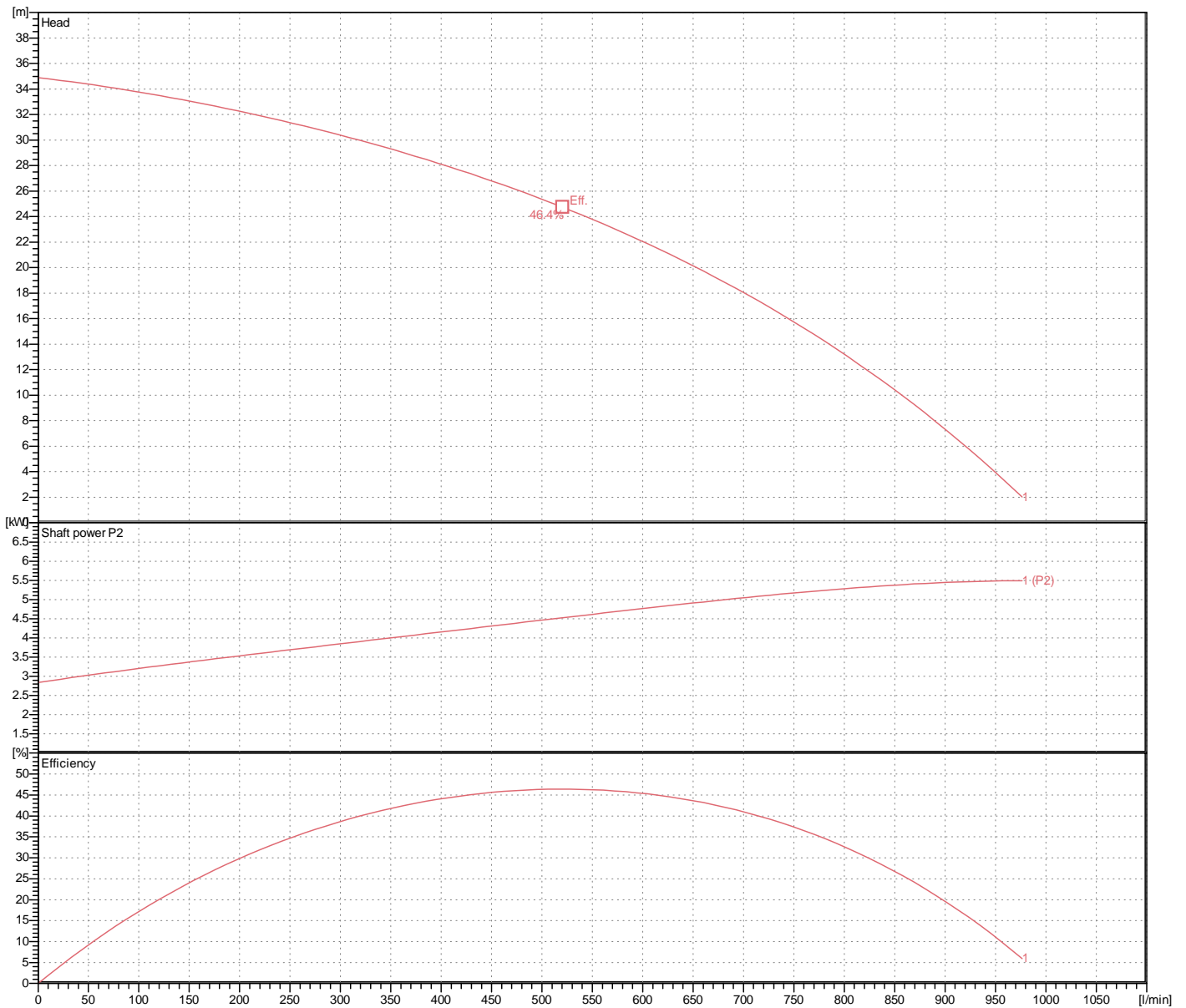
3" (80mm) BS-coupling (threaded flange)

## Weight

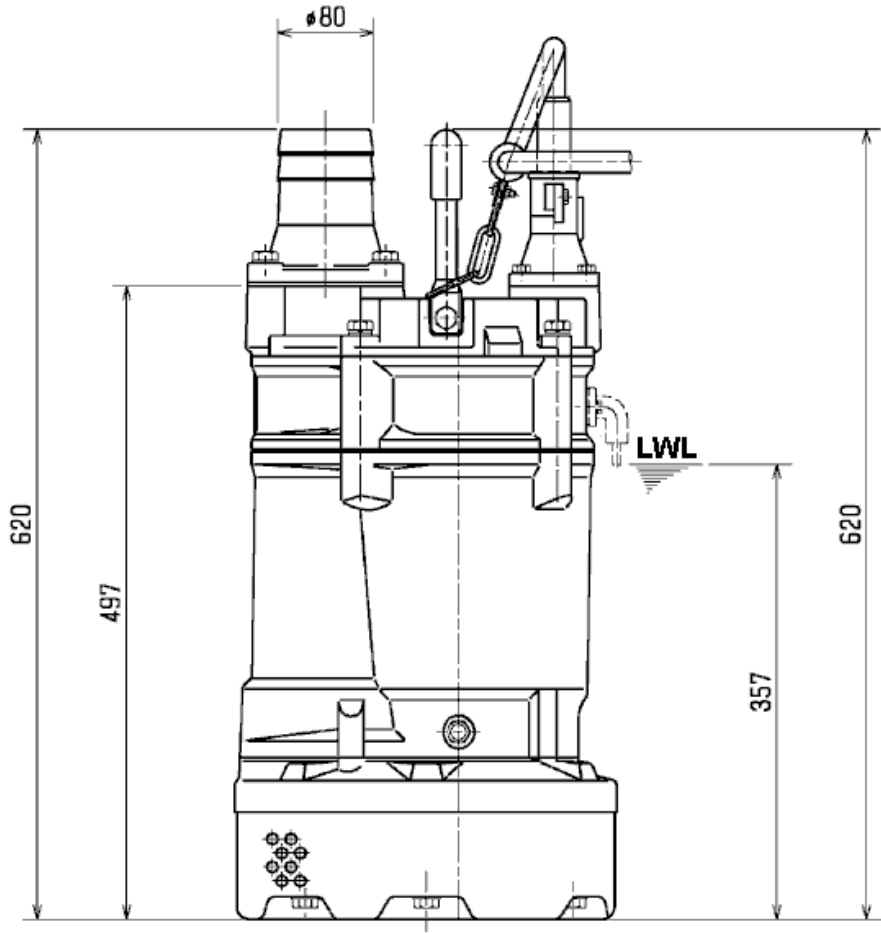
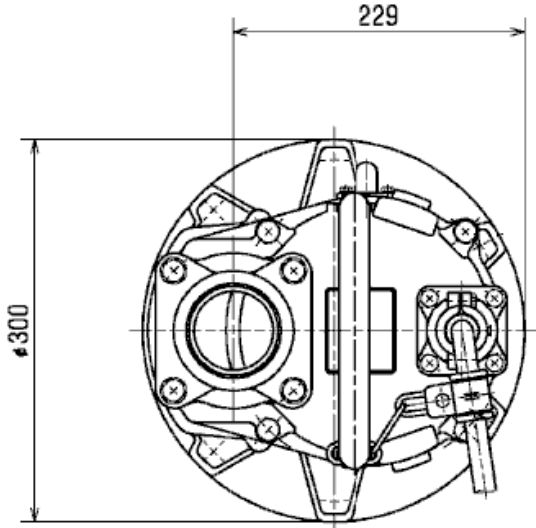
52 kg (dry weight of the pump only without cable)

# Performance curve KTVE35.5-51

Discharge port	3"
Head	34.9 m
Flow	976.4 l/min
Rated power	5.50 kW
Power input	7.05 kW
Phases	3~
Voltages	400 V
Frequency	50 Hz
Rated current	11 A
Starting current	65.01 A
Number of poles	2
Speed	2870 1/min
Starting mode	Directly
Insulation class	E



# Dimensions KTVE35.5-51

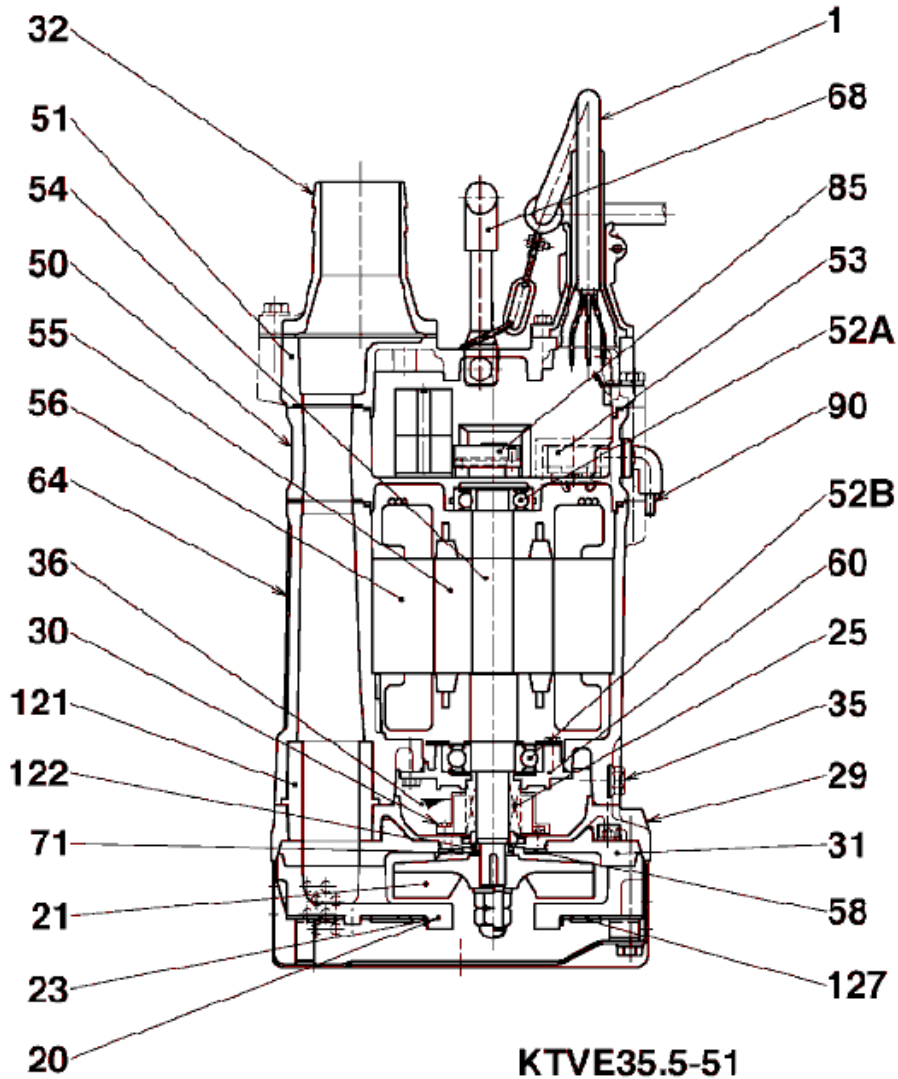


**mm**

CWL: Continuous running water level  
LWL: Lowest running water level

**KTVE35.5-51**

# Sectional drawing KTVE35.5-51



No.	Description	Remark	No.	Description	Remark
1	Cable	20m NSSHÖU	54	Shaft	SUS403 (EN-X6Cr13)
20	Pump casing	BR + Natural Rubber	55	Rotor	.
21	Impeller	FCD700 (EN-GJS-700-2)	56	Stator	.
23	Strainer	Steel plate	58	Clear-view screen	SUS304 (EN-X5CrNi18-10)
25	Mechanical seal	H-25T	60	Bearing Housing	Aluminium die casting
29	Oil casing	Aluminium die casting	64	Motor Frame	Aluminium die casting
30	Oil distributor	Plastic	68	Handle	SGP + NBR
31	Wear protection	BR	71	Shaft protection sleeve	SUS304 (EN-X5CrNi18-10)
32	Discharge coupling	Aluminium die casting	85	Relais	.
35	Oil screw	SUS304 (EN-X5CrNi18-10)	90	Electrode	.
36	Lubricant	Turbine oil (ISO VG32)	121	Seal	SBR
50	Main cover	Aluminium die casting	122	V-ring	NBR
51	Main cover	Aluminium die casting	127	Pressure plate	Steel plate
52A	Upper bearing	6305ZZC3			
52B	Lower bearing	6307ZZC3			
53	Motor Protector 380/400/415V-50Hz KA314-HRXL00 (H.C)				