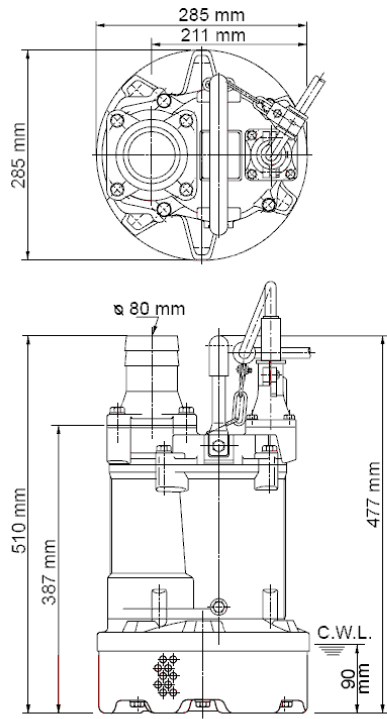
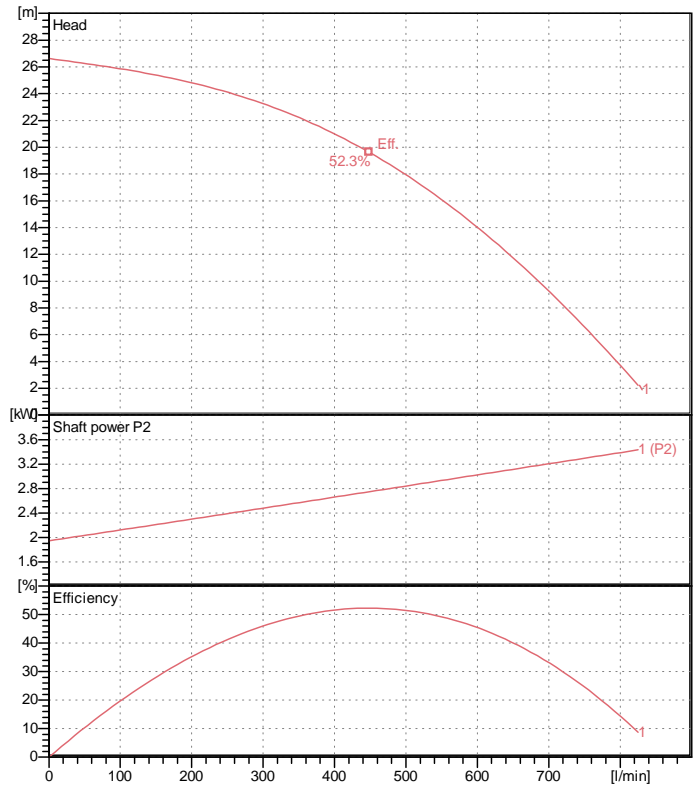


# Data sheet KTV2-37



KTV2-37

CWL: Continuous running water level



## Specification

Electric submersible pump  
 Degree of protection IP 68  
 Depth of submersion max. 25 m  
 Type of impeller semi-vortex  
 Max. solid handling 8.5 mm  
 Suitable for:  
 rain water, ground water, sand water

## Electric motor

Dry-type submersible induction motor  
 Insulation class E 2Poles 2875 1/min  
 Starting mode Directly  
 Rated voltage 400 V 50 Hz 3~  
 Power uptake 4.63 kW  
 Rated power 3.70 kW  
 Rated current 7.4 A  
 Start current 48.0 A

## Cable

20m NSSHÖU 4Cx1,5mm<sup>2</sup>

## Motor Protection

Circle thermal protector  
 (snap-action bi-metal device)

## Shaft seal

Double inside mechanical seal in oil bath  
 additional lubrication by oil lifting device

Primary seal

Silicon carbide on silicon carbide

Secondary seal

Silicon carbide on silicon carbide

## Bearings

Shielded ball bearings, maintenance-free

## Materials

Impeller	FCD700 (EN-GJS-700-2)
Pump casing	Rubber
Motor Frame	Aluminium alloy casting
Shaft	SUS403 (EN-X6Cr13)

## Discharge size

3" (80mm) BS-coupling (threaded flange)

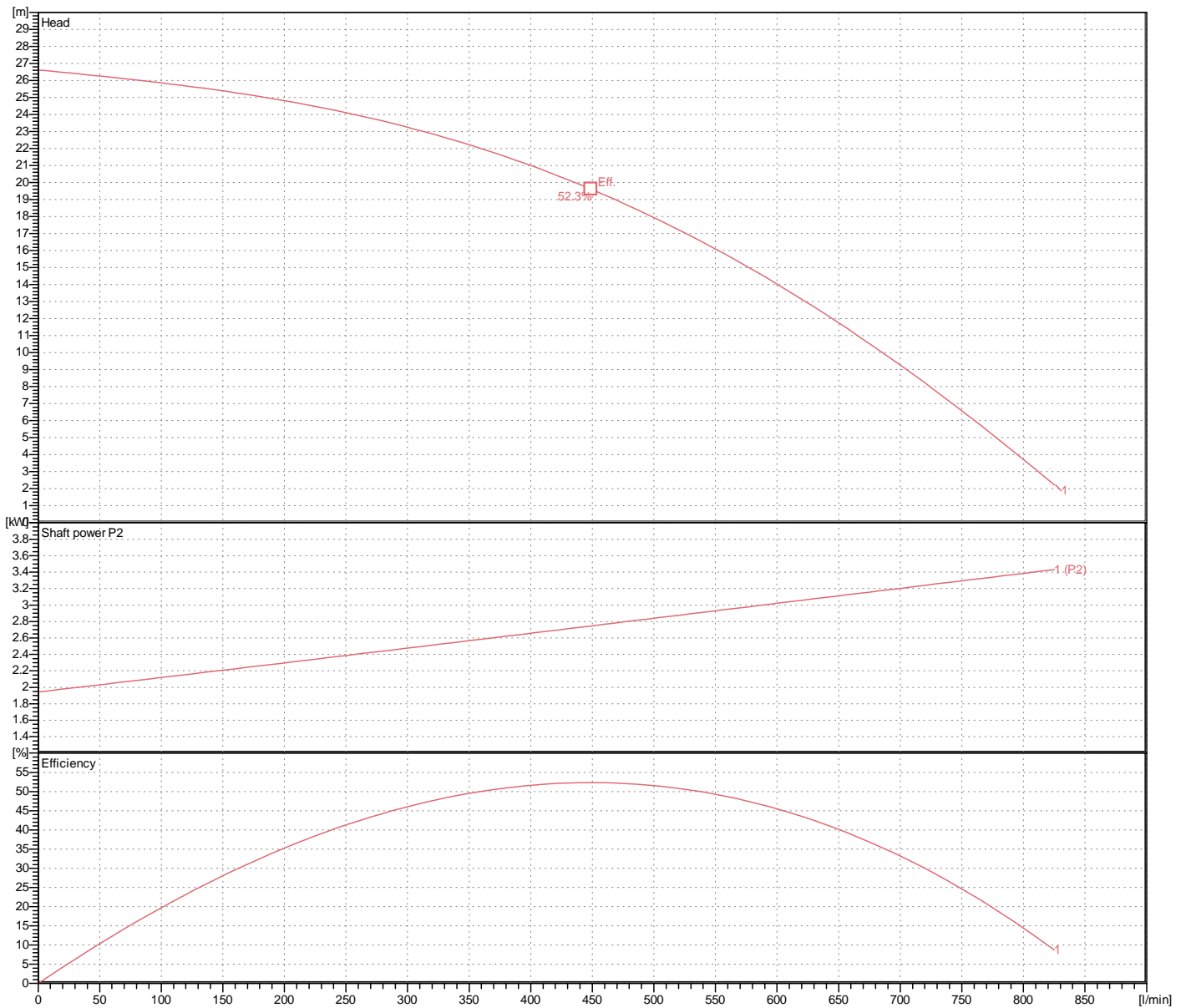
## Weight

36 kg (dry weight of the pump only without cable)

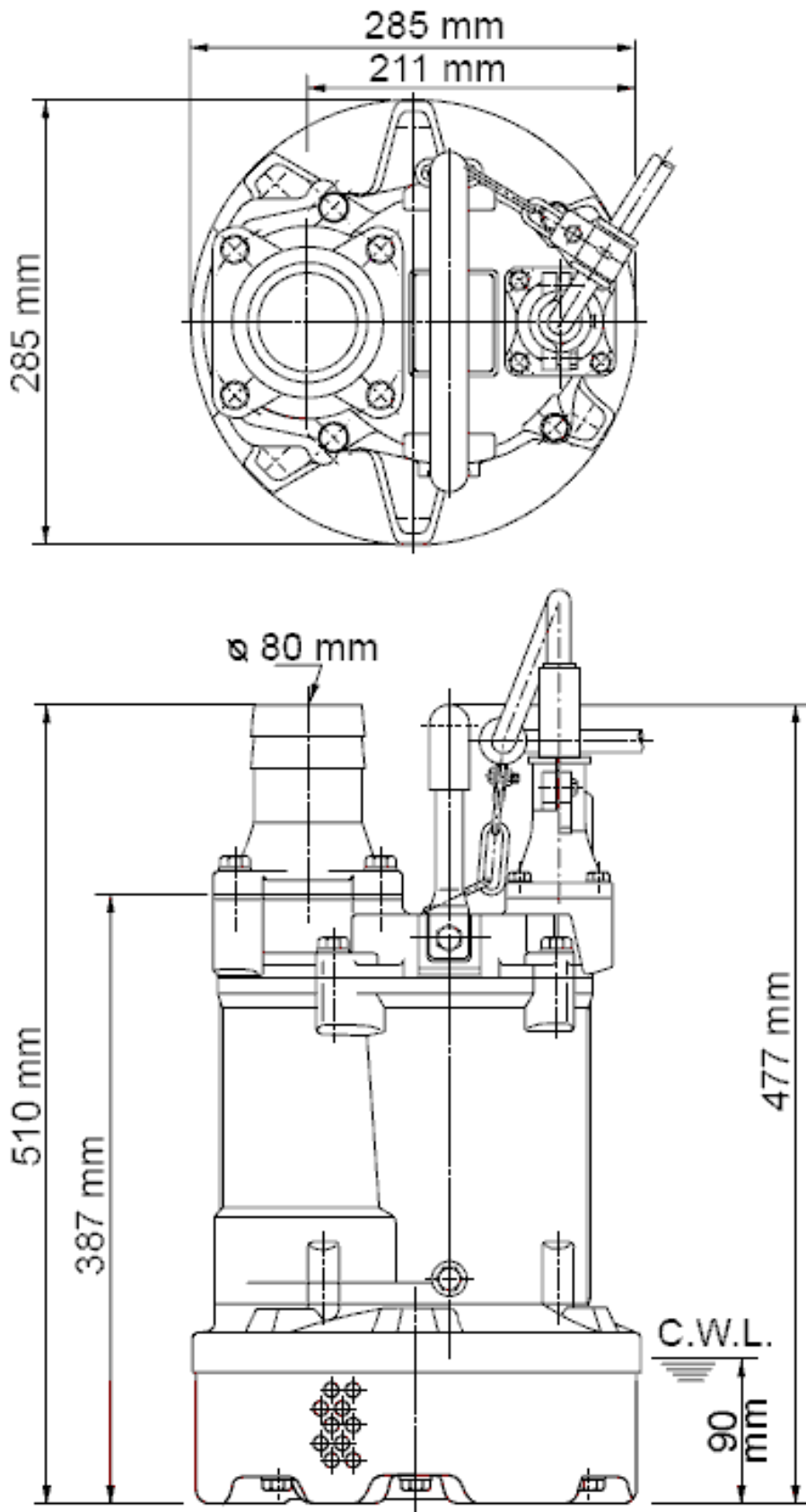
# Performance curve

## KTV2-37

Discharge port	3"
Head	26.6 m
Flow	825.2 l/min
Rated power	3.70 kW
Power input	4.63 kW
Phases	3~
Voltages	400 V
Frequency	50 Hz
Rated current	7.4 A
Starting current	48.03 A
Number of poles	2
Speed	2875 1/min
Starting mode	Directly
Insulation class	E



# Dimensions KTV2-37



**KTV2-37**

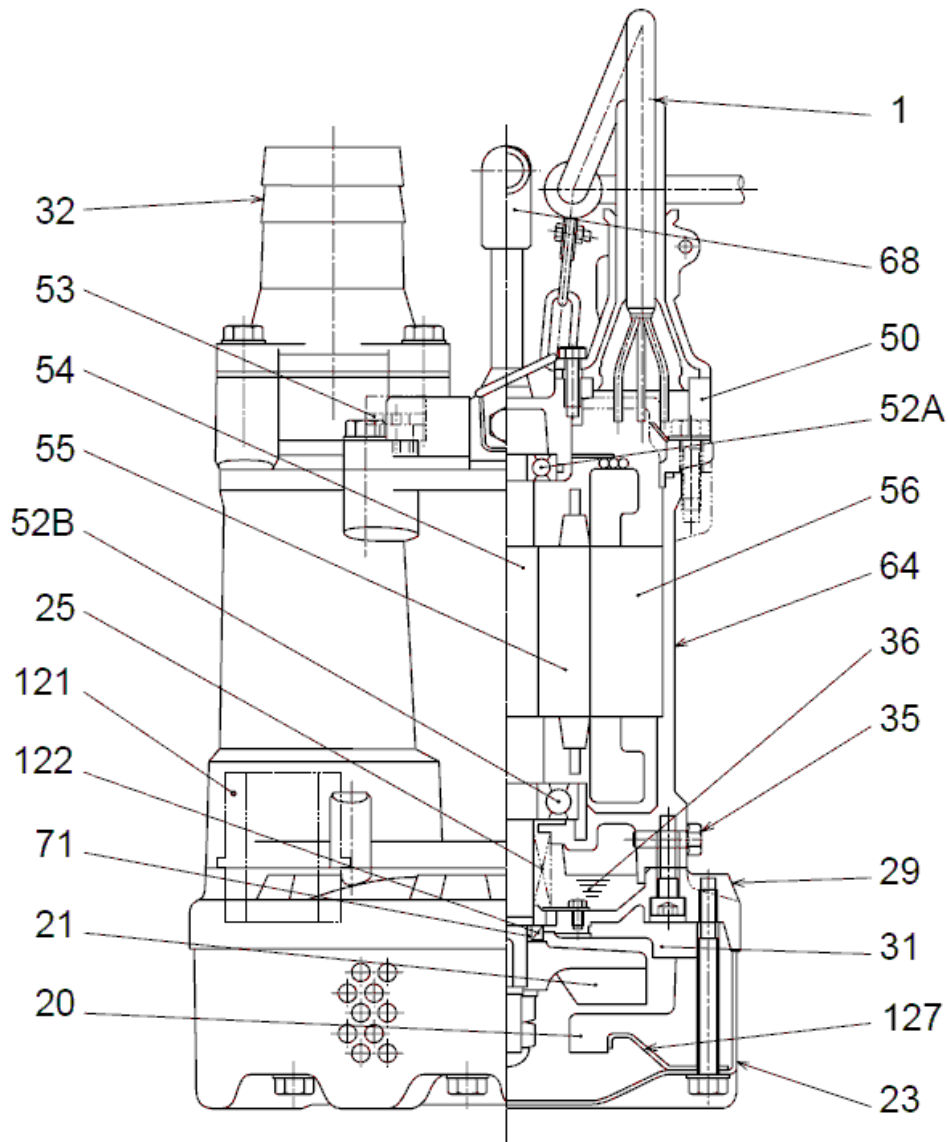
CWL: Continuous running water level  
LWL: Lowest running water level

 **TSURUMI PUMP**

Tsurumi Europe GmbH  
19.05.2017 V.18 / 1.10.2015

Helstorfer Str. 14 \* 40472 Düsseldorf \* Germany  
Tel.: +49-211-4179373 sales@tsurumi.eu  
Fax: +49-211-417937-480 www.tsurumi.eu

# Sectional drawing KTV2-37



No.	Description	Remark	No.	Description	Remark
1	Cable	20m NSSHÖU	56	Stator	.
20	Pump casing	Rubber	64	Motor Frame	Aluminium alloy casting
21	Impeller	FCD700 (EN-GJS-700-2)	68	Handle	Steelplate + butadieneacrylnitrilerubber
23	Strainer	Steel plate	71	Shaft protection sleeve	SUS304 (EN-X5CrNi18-10)
25	Mechanical seal	H-25	121	Seal	Rubber
29	Oil casing	Aluminium alloy casting	122	V-ring	Butadieneacrylnitrilerubber
31	Wear protection	Rubber	127	Pressure plate	Steel plate
32	Discharge coupling	Aluminium alloy casting			
35	Oil screw	SUS304 (EN-X5CrNi18-10)			
36	Lubricant	Turbine oil (ISO VG32)			
50	Main cover	Aluminium alloy casting			
52A	Upper bearing	6204ZZC3			
52B	Lower bearing	6306ZZC3			
53	Motor Protector 380/400/415V	50Hz KA314-HRXL00 (H.C)			
54	Shaft	SUS403 (EN-X6Cr13)			
55	Rotor	.			