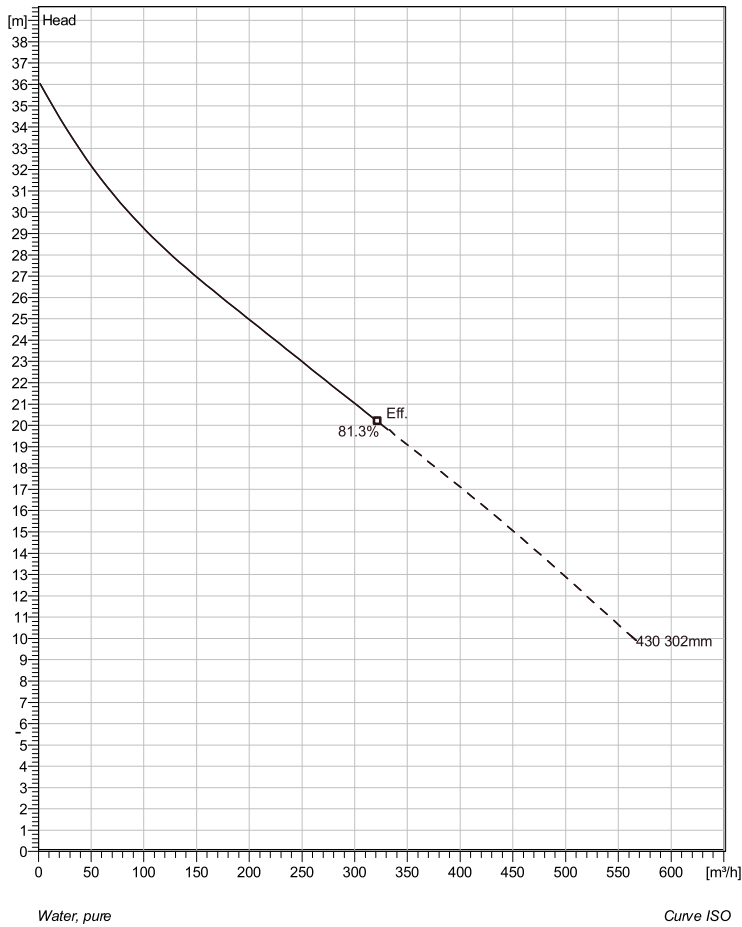


## NP 3171 MT 3~ 430 Technical specification



Note: Picture might not correspond to the current configuration.

### General

Patented self cleaning semi-open channel impeller, ideal for pumping in most waste water applications. Possible to be upgraded with Guide-pin® for even better clogging resistance. Modular based design with high adaptation grade.

### Impeller

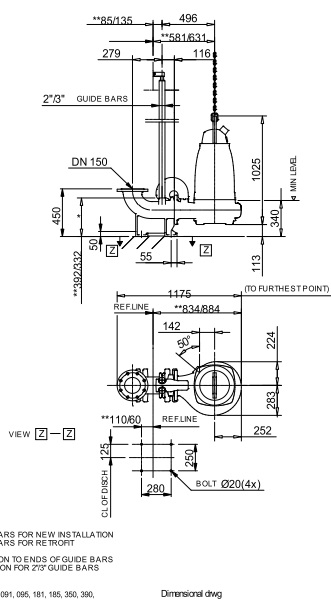
Impeller material	Grey cast iron
Discharge Flange Diameter	150 mm
Suction Flange Diameter	150 mm
Impeller diameter	302 mm
Number of blades	2

### Motor

Motor #	N3171.181 25-19-4AA-W 22KW Standard
Stator variant	1
Frequency	50 Hz
Rated voltage	400 V
Number of poles	4
Phases	3~
Rated power	22 kW
Rated current	41 A
Starting current	248 A
Rated speed	1460 rpm
Power factor	
1/1 Load	0.88
3/4 Load	0.85
1/2 Load	0.76
Motor efficiency	
1/1 Load	88.5 %
3/4 Load	90.0 %
1/2 Load	90.5 %

### Configuration

### Installation: P - Semi permanent, Wet



Project	Project ID	Created by	Created on 7/13/2018	Last update
---------	------------	------------	-------------------------	-------------

## NP 3171 MT 3~ 430

### Performance curve

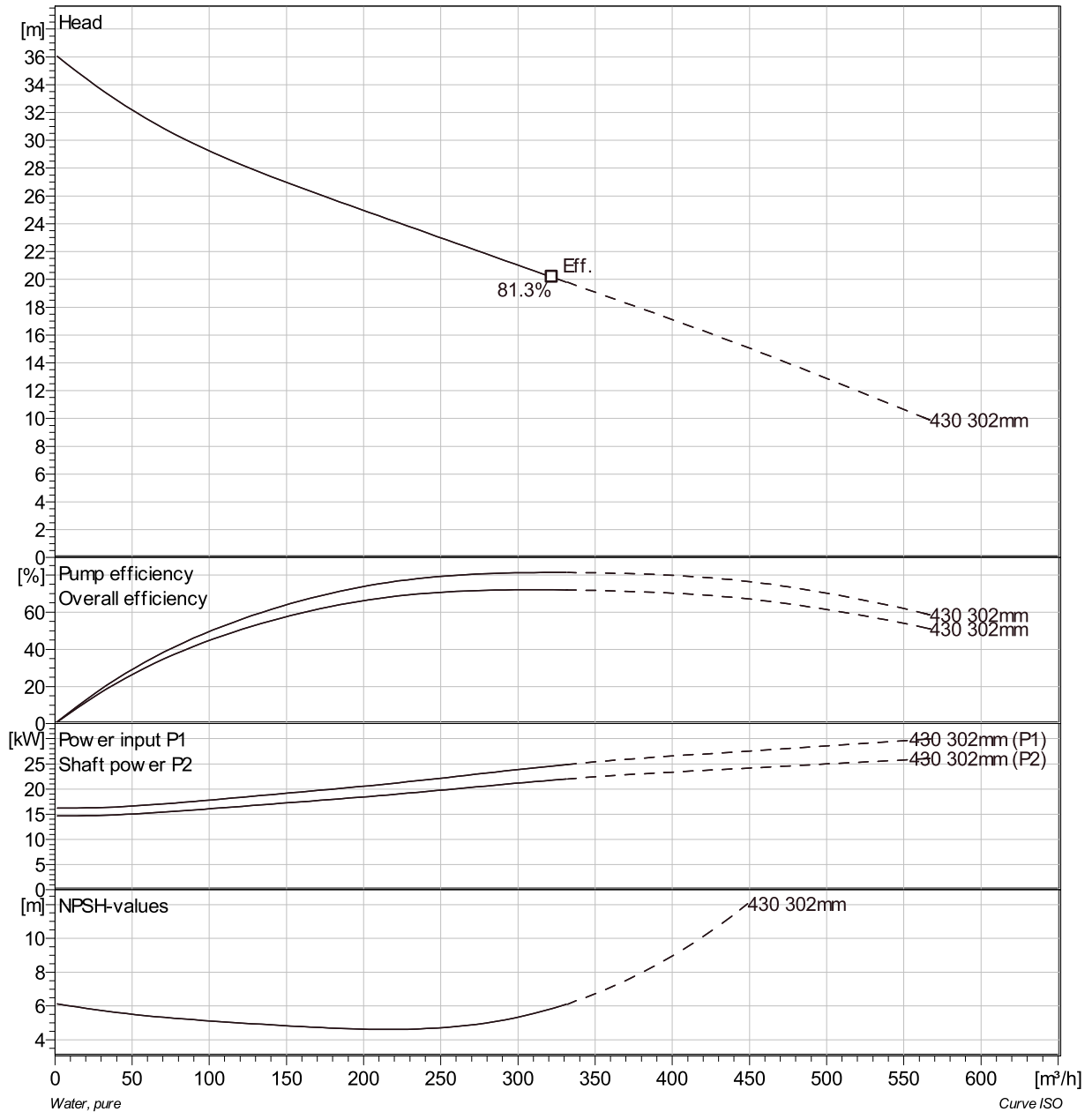
#### Pump

Discharge Flange Diameter 150 mm  
 Suction Flange Diameter 150 mm  
 Impeller diameter 302 mm  
 Number of blades 2

#### Motor

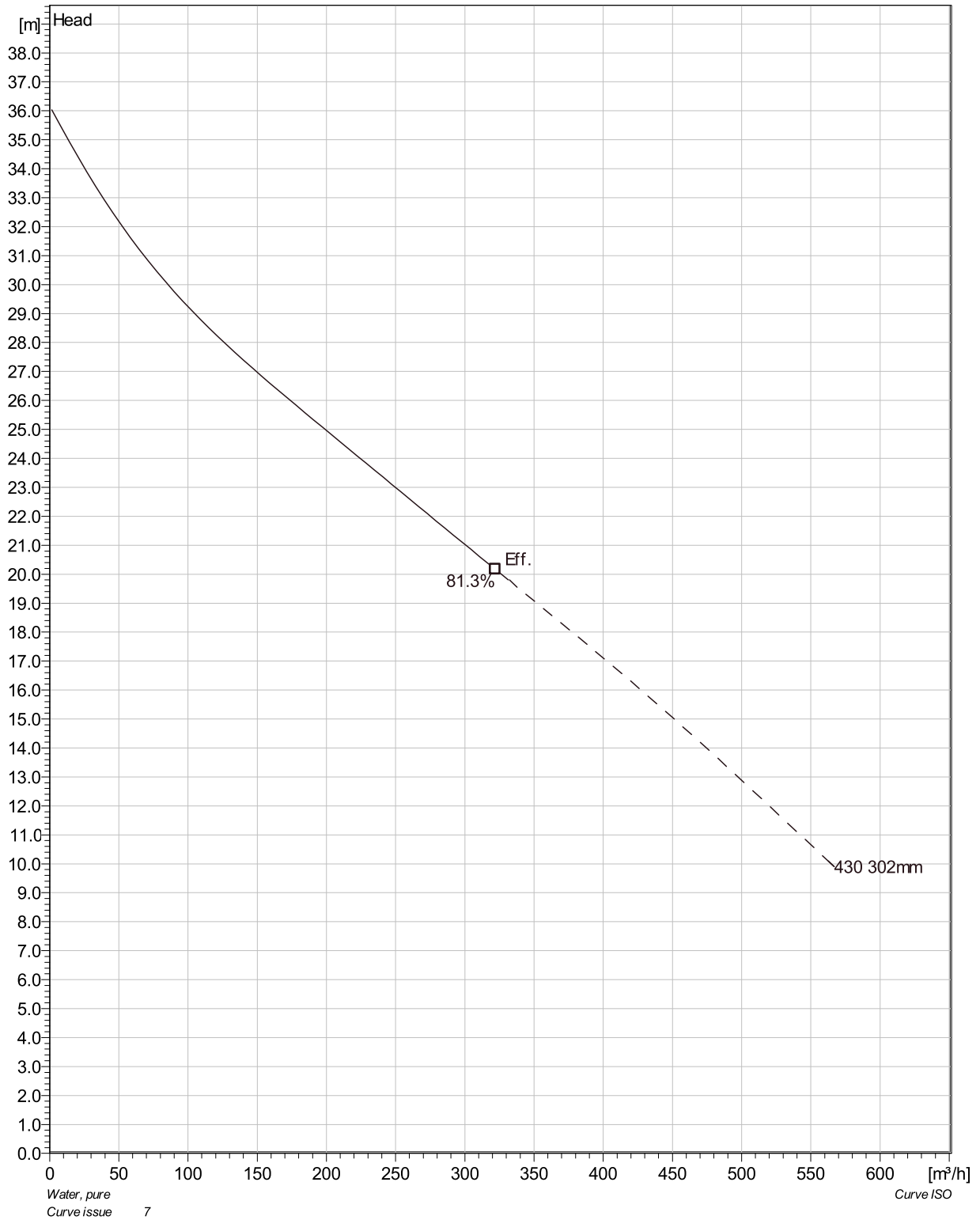
Motor # N3171.181 25-19-4AA-W 22KW  
 Stator variant 1  
 Frequency 50 Hz  
 Rated voltage 400 V  
 Number of poles 4  
 Phases 3~  
 Rated power 22 kW  
 Rated current 41 A  
 Starting current 248 A  
 Rated speed 1460 rpm

Power factor  
 1/1 Load 0.88  
 3/4 Load 0.85  
 1/2 Load 0.76  
 Motor efficiency  
 1/1 Load 88.5 %  
 3/4 Load 90.0 %  
 1/2 Load 90.5 %

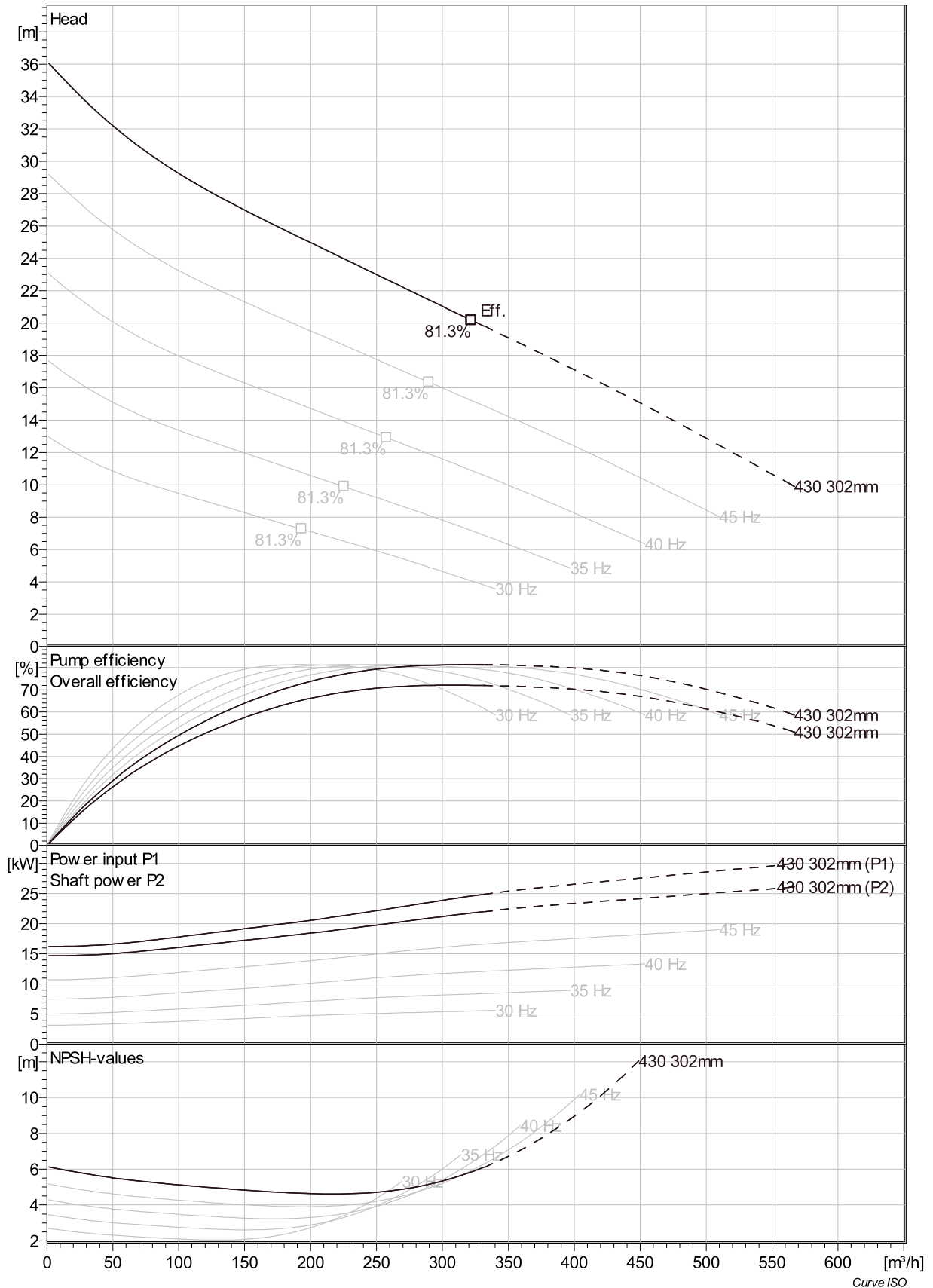


Project	Project ID	Created by	Created on 7/13/2018	Last update
---------	------------	------------	-------------------------	-------------

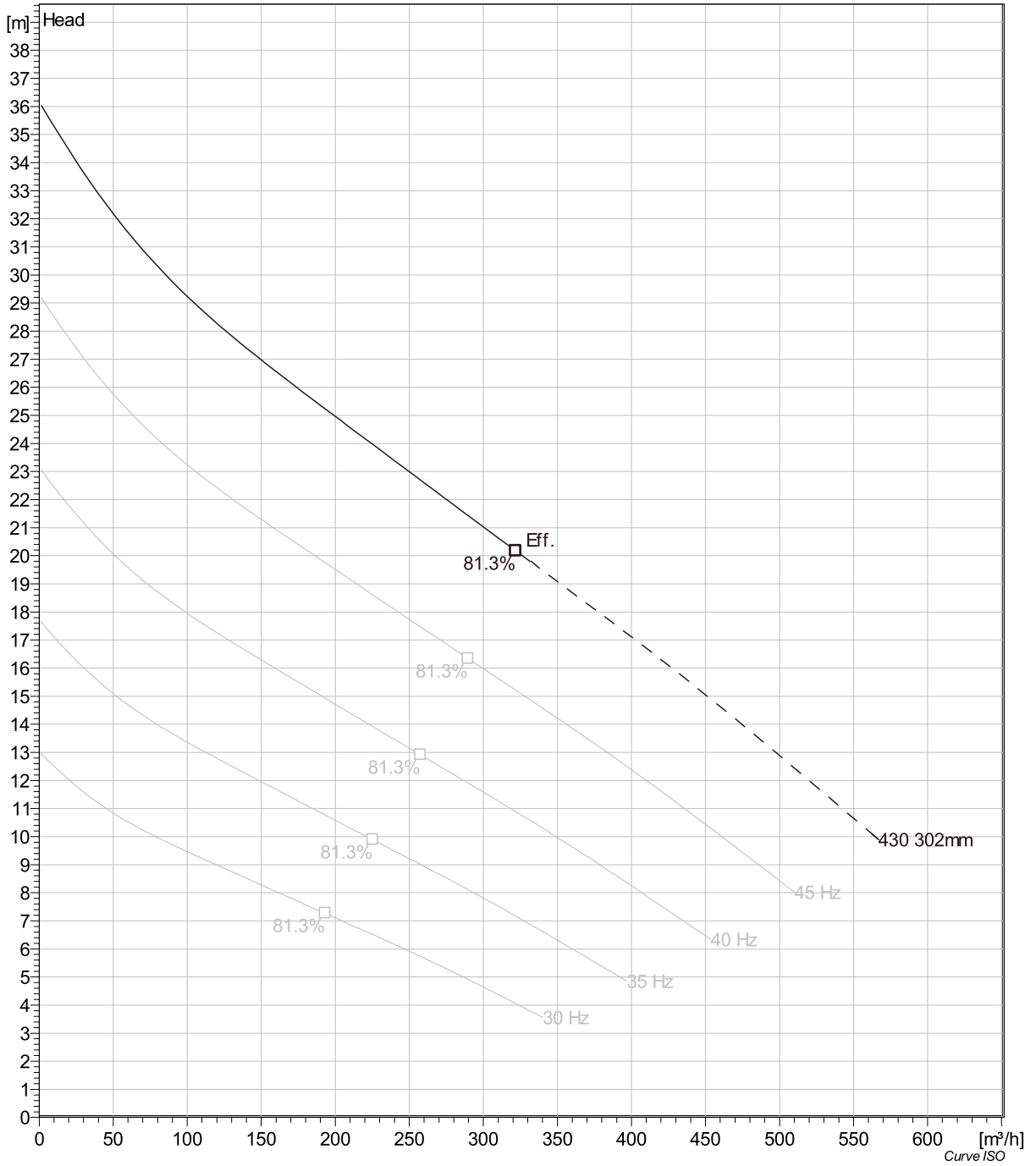
## NP 3171 MT 3~ 430 Duty Analysis



Project	Project ID	Created by	Created on	Last update
			7/13/2018	

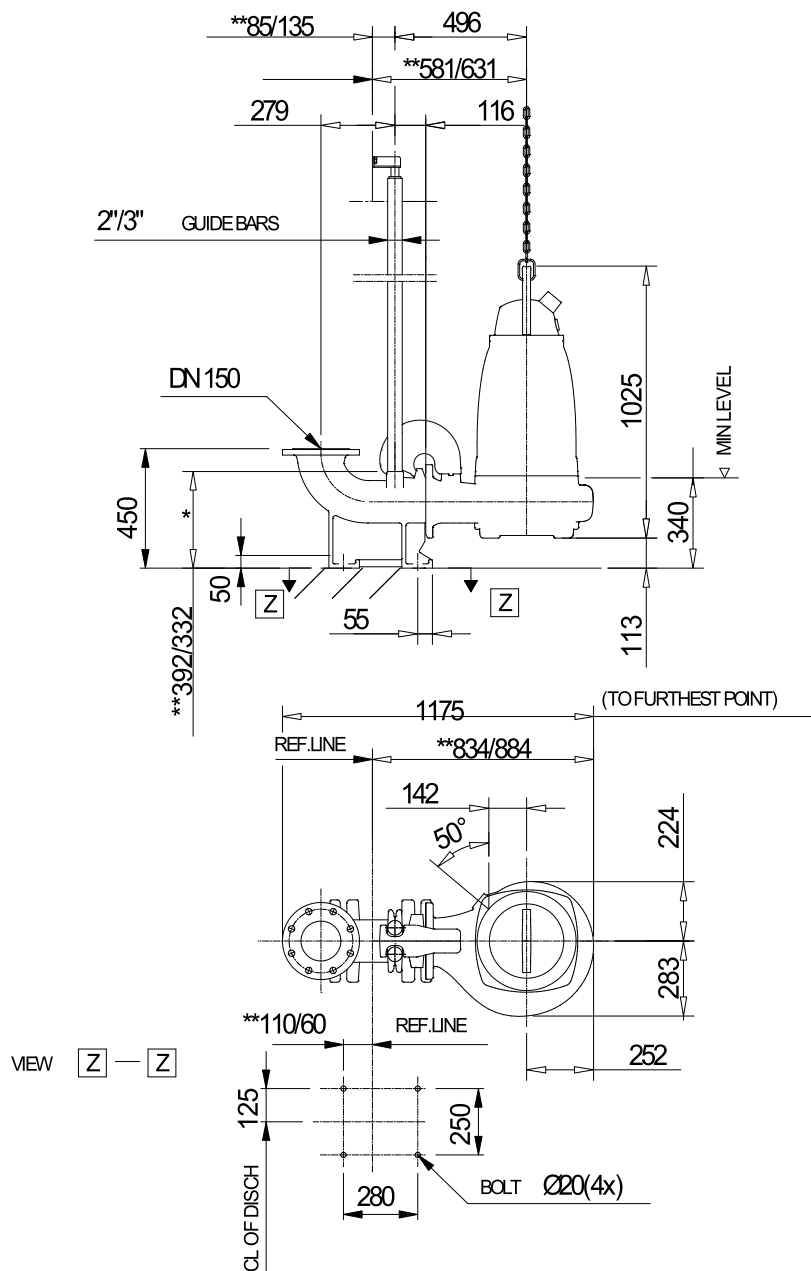


Project	Project ID	Created by	Created on	Last update
			7/13/2018	



Project	Project ID	Created by	Created on	Last update
			7/13/2018	

## NP 3171 MT 3~ 430 Dimensional drawing



2' GUIDE BARS FOR NEW INSTALLATION  
3' GUIDE BARS FOR RETROFIT

\* DIMENSION TO ENDS OF GUIDE BARS  
\*\* DIMENSION FOR 2' / 3' GUIDE BARS

NP,FP 3171.091, 095, 181, 185, 350, 390, 660, 670  
MT

Dimensional drwg

NP,FP 3171.091,095,181,185,350,390,660,670 MT

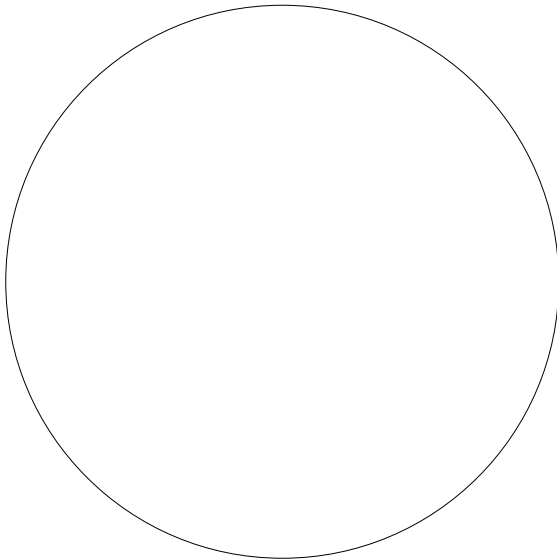
Project	Project ID	Created by	Created on	Last update
			7/13/2018	

## NP 3171 MT 3~ 430

### Life cycle costs (LCC)

Total lifetime	15	Inflation rate (rate of price increases)	2 %
Annual operating time	5600	Interest rate (for investment)	3 %
Energy cost per kWh	0.00 GBP		
Power input P1			

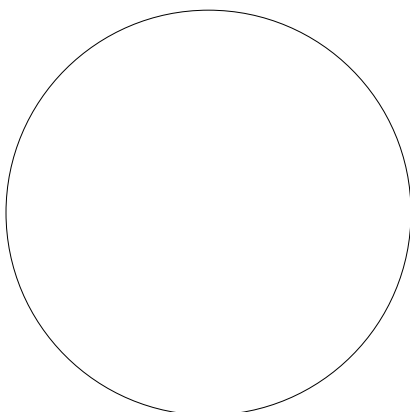
#### Total costs



- 0% 0.00 GBP Energy
- 0% 0.00 GBP Investment costs
- 0% 0.00 GBP Installation & commissioning
- 0% 0.00 GBP Operating cost
- 0% 0.00 GBP Maintenance & repair
- 0% 0.00 GBP Downtime
- 0% 0.00 GBP Environmental
- 0% 0.00 GBP Decommissioning

**GBP**

#### First year costs



- 0% 0.00 GBP Energy (1st year)
- 0% 0.00 GBP Investment costs (1st year)
- 0% 0.00 GBP Installation & commissioning (1st year)
- 0% 0.00 GBP Operating cost (1st year)
- 0% 0.00 GBP Maintenance & repair (1st year)
- 0% 0.00 GBP Downtime (1st year)
- 0% 0.00 GBP Environmental (1st year)
- 0% 0.00 GBP Decommissioning (1st year)

**GBP**

*Disclaimer: The calculations and the results are based on user input values and general assumptions and provide only estimated costs for the input data. Xylem inc can therefore not guarantee that the estimated savings will actually occur.*

Project	Project ID	Created by	Created on 7/13/2018	Last update
---------	------------	------------	-------------------------	-------------